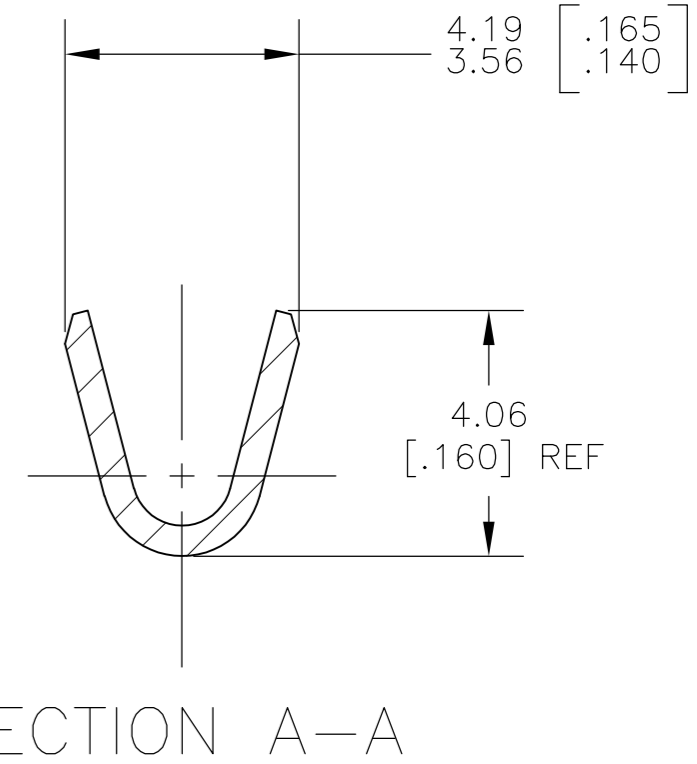
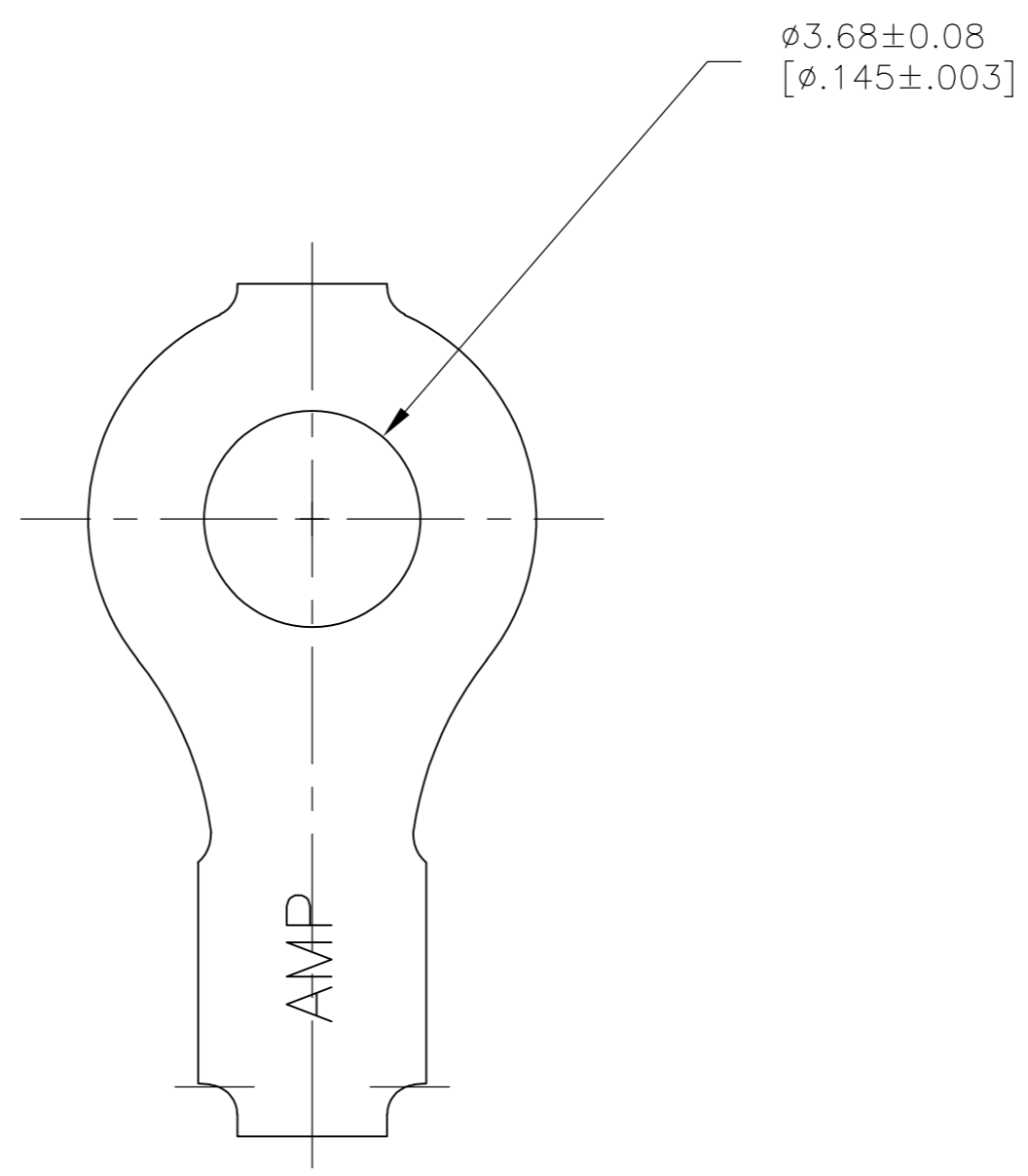
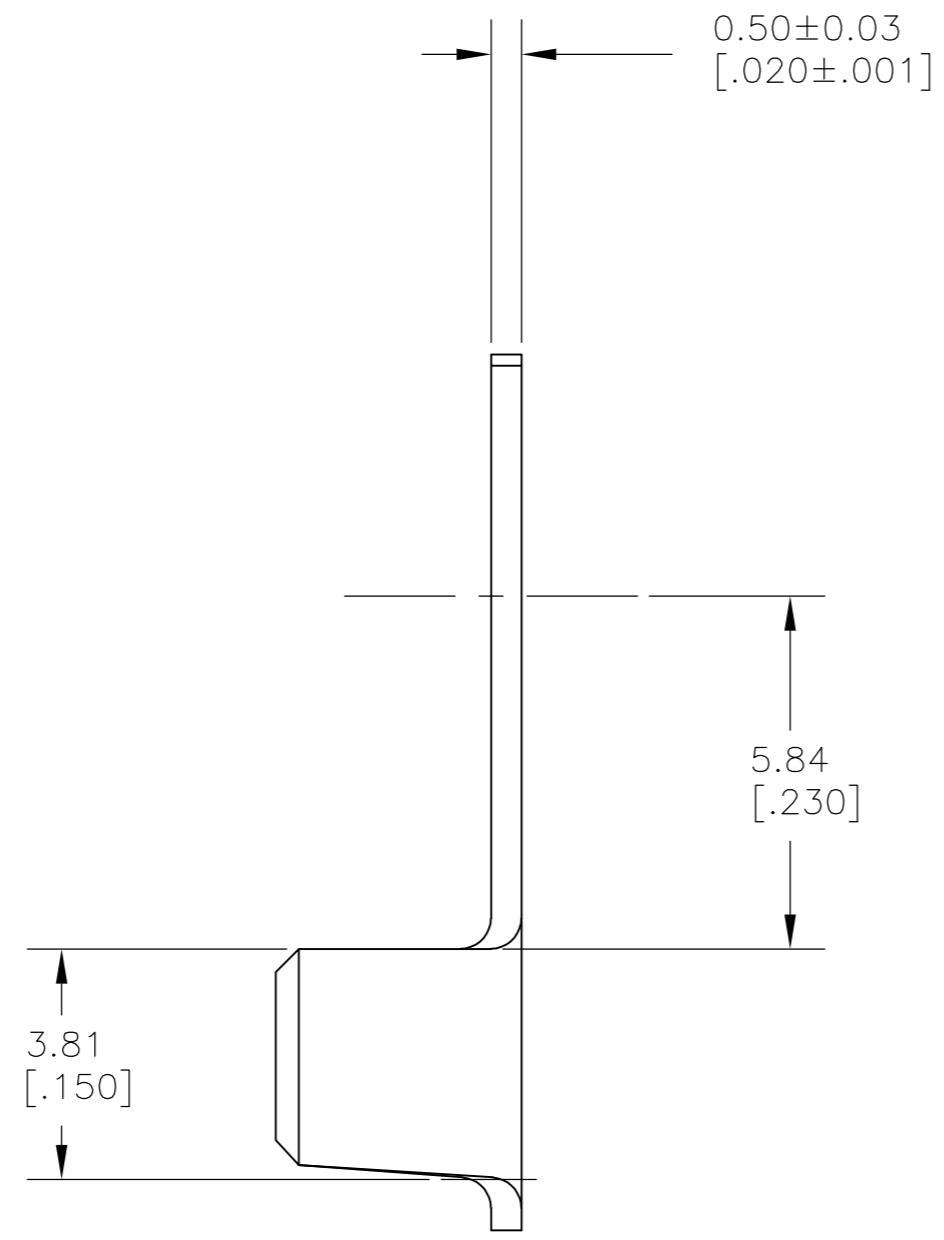
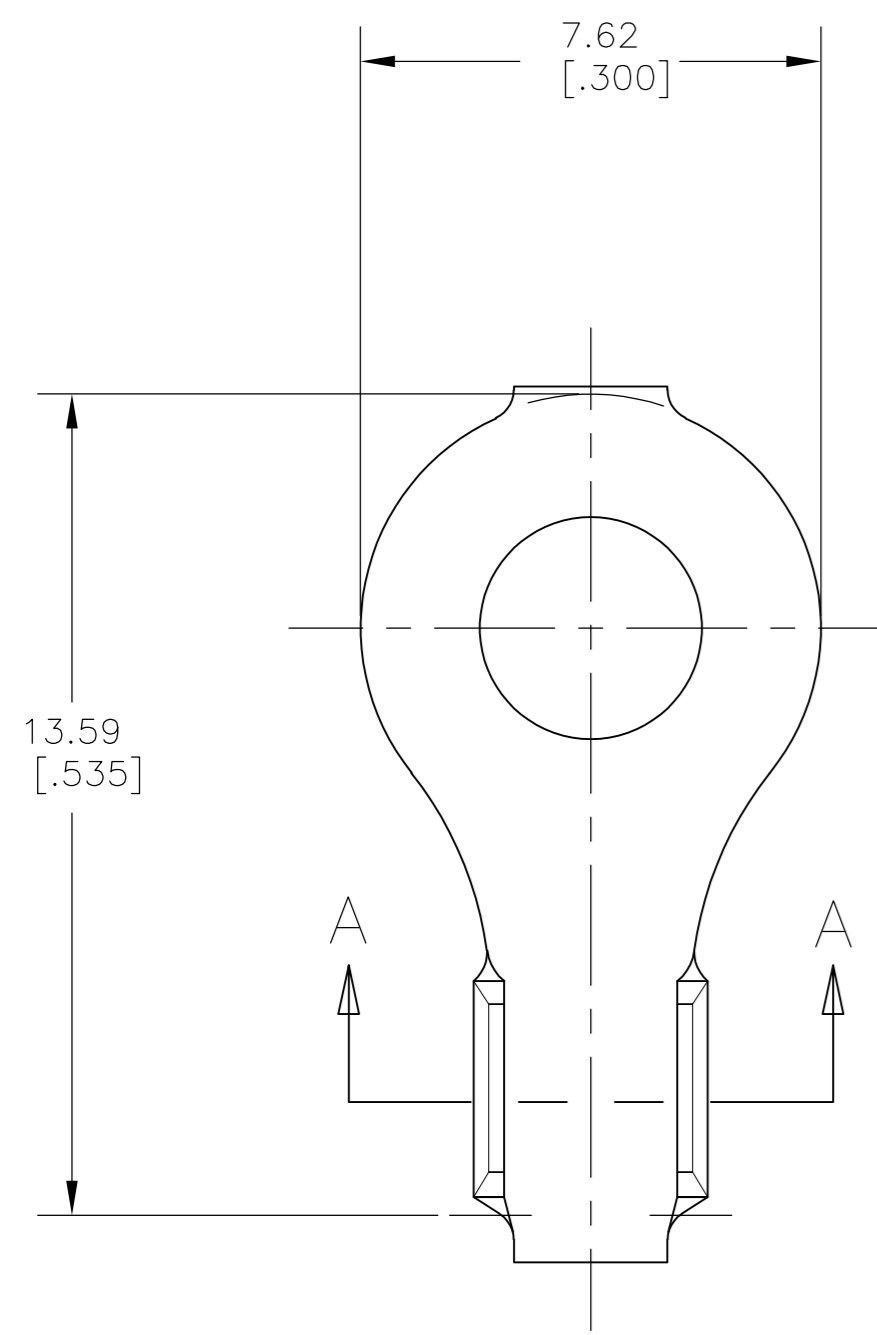


THIS DRAWING IS UNPUBLISHED. RELEASED FOR PUBLICATION
 © COPYRIGHT BY TYCO ELECTRONICS CORPORATION. ALL RIGHTS RESERVED.

LOC	DIST	REVISIONS			
P	LTR	DESCRIPTION	DATE	DWN	APVD
AF	50	J1	REDRAWN PER ECR-07-029463	6DEC07	MF DD

- 1 CONTINUOUS STRIP ON REELS.
- 2 WIRE RANGE: 0.8-2.0mm² [#18-#14] AWG.



40593
PART NUMBER

THIS DRAWING IS A CONTROLLED DOCUMENT.		DWN MICHAEL S. FEHER 23OCT2007	Tyco Electronics Corporation Harrisburg, PA 17105-3608	
DIMENSIONS: mm [INCHES]		CHK DONALD F. DECKER 23OCT2007	NAME TERMINAL, RING NUMBER 6 STUD SIZE M3.5 METRIC	
TOLERANCES UNLESS OTHERWISE SPECIFIED: 0 PLC ± - 1 PLC ± - 2 PLC ± - 3 PLC ± 0.38 [.015] 4 PLC ± - ANGLES ± 1°		APVD DONALD F. DECKER 23OCT2007	RESTRICTED TO	
MATERIAL 082 BRASS	FINISH TIN PLATE	PRODUCT SPEC -	SIZE A2	CAGE CODE 00779
CUSTOMER DRAWING		WEIGHT -	DRAWING NO C=40593	SCALE 8:1
			SHEET 1 of 1	REV J1