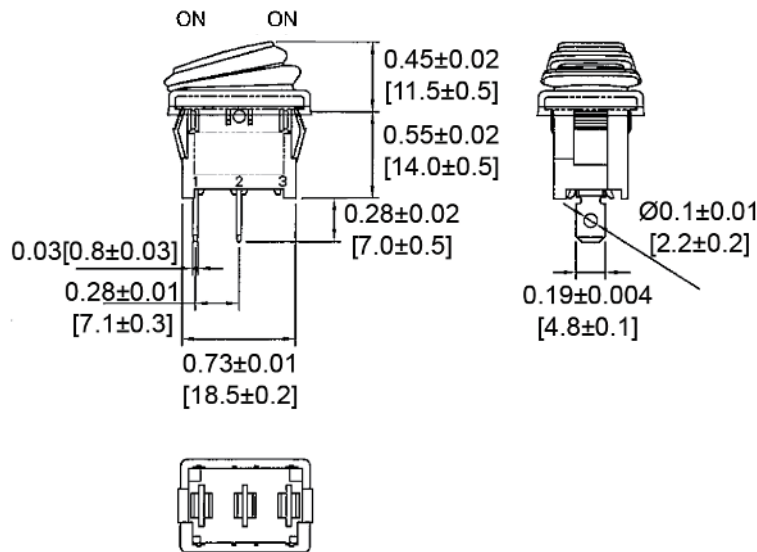
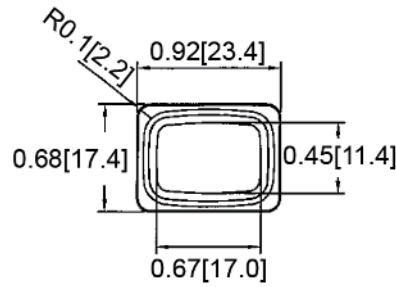
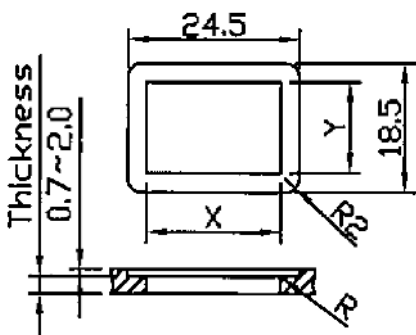


Mechanical Dimensions: Inches [mm]

less Otherwise Specified



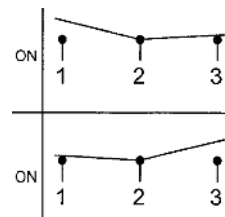
Mounting Hole



Thickness	X	Y
0.03~0.06 [0.75~1.5]	0.76-0.004 [19.4-0.1]	0.51+0.004 [13.0+0.1]
0.06~0.1 [1.5-2.5]	0.78-0.004 [19.8-0.1]	0.51+0.004 [13.0+0.1]

Circuit Diagram

3P SPDT ON-ON



Electrical Specifications

Rating	16A 12V DC, 6A 28V DC	
Contact Resistance	50m ohm Max	
Insulation Resistance	DC 500V 100M ohm Min	
Dielectric Strength	AC 1500V 1 minute	
Operation Temperature	-20°C~85°C	

Material Specifications

Frame	Black, Nylon 66
Actuator	Black, PC
Terminals	Silver plated , Copper alloy
Waterproof	IP-65
Waterproof rubber	Black, silicone

Rev	Date of issue	Revision Notes	Designed	Approved
B	06-08-2021	Initial Drawing	RC	OF