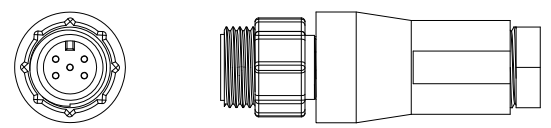
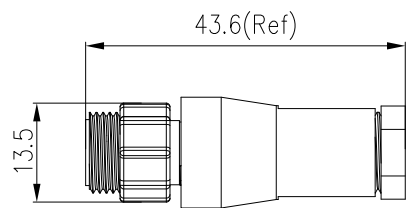
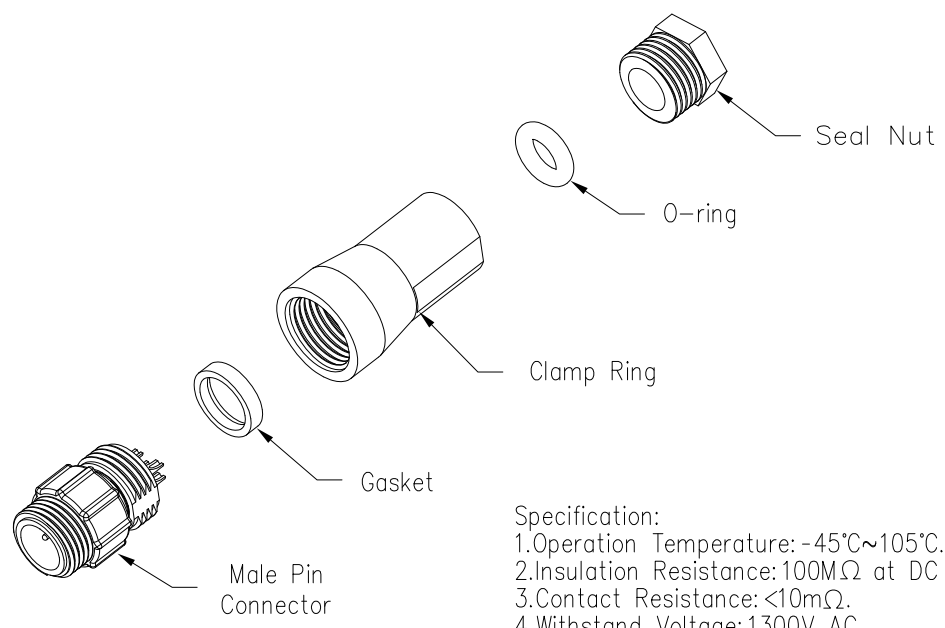


REV.	ECN NO.	DESCRIPTION	SIGN	DATE
C1	N/A	INITIAL DRAWING	Victory	2020/04/13

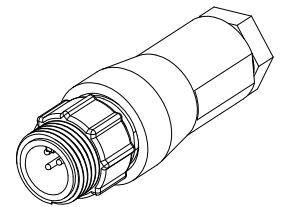


21XXX311-01
Pin Number



- Specification:
- 1.Operation Temperature: -45°C~105°C.
 - 2.Insulation Resistance:100MΩ at DC 500V.
 - 3.Contact Resistance:<10mΩ.
 - 4.Withstand Voltage:1300V AC.
 - 5.Operating Current:2A.
 - 6.Operating Voltage:AC 50V.
 - 7.Waterproof Rate:IP67(Mated).
 - 8.Connector:Nylon+GF, Black.
 - 9.Seal Nut:Nylon, Black.
 - 10.O-Ring:Silicon, Red.
 - 11.Clamp Ring:Nylon, Black.
 - 12.Gasket:Silicon, Red.
 - 13.Male Pin:Copper Alloy, Gold Plated.
 - 14.RoHS Compliant.
 - 15.UL Compliant.
 - 16.Cable Range OD:φ4.7mm~φ6.2mm
 - 17.Mating Cap P/N: 806-00028-00.

7 Pin	8 Pin
P/N: 21007311-01	P/N: 21008311-01
5 Pin	6 Pin
P/N: 21005311-01	P/N: 21006311-01
Pin Assignments Front View	



UNIT:mm		DESCRIPTION Mini Series Screw Type Female Plug With Male Pin	PART NO 21XXX311-01	DRAWN BY Victory	DATE 2020/04/13
TOLERANCE .X ±0.25 .XX ±0.15 .XXX ±0.05 ANGLES ±1°	SCALE: 1:1	SHEET 1 OF 1	DWG NO	CHECKED BY Ivan	DATE 2020/04/13
REV. C1	SIZE A4	*:Inspection Item	CUSTOMER	APPROVED BY Panson	DATE 2020/04/13

THIS INFORMATION IS CONFIDENTIAL AND IS DISCLOSED TO YOU ON CONDITION THAT NO FURTHER DISCLOSURE IS MADE BY YOU TO OTHER THAN CHOGORI PERSONNEL WITHOUT AUTHORIZATION FROM CHOGORI CORP.