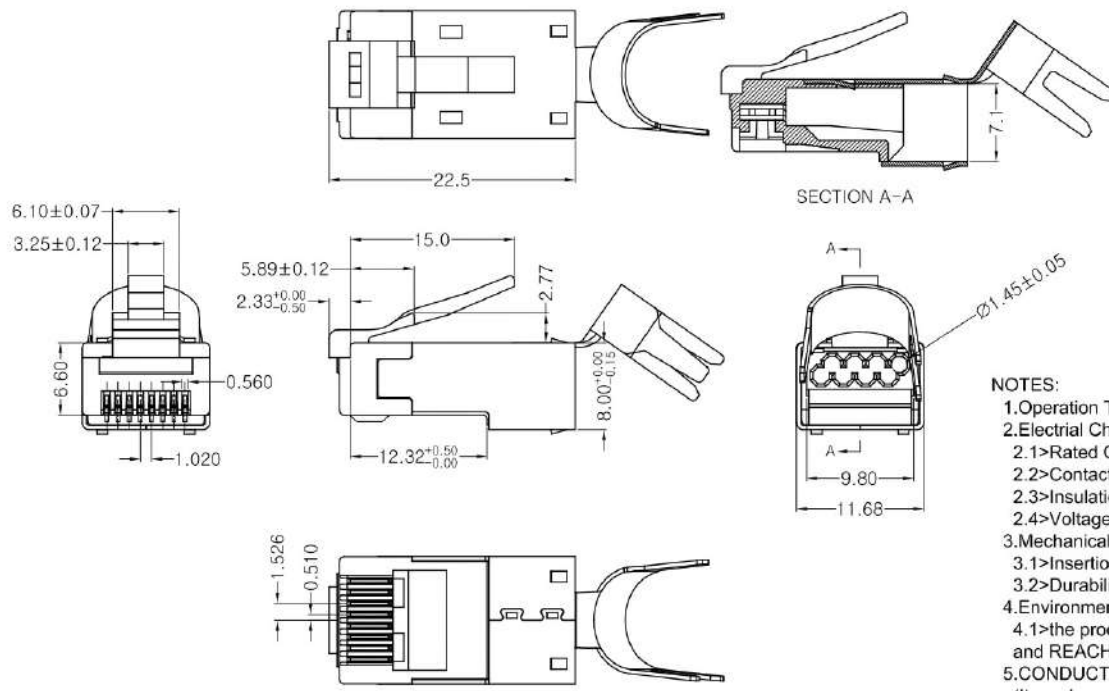


NOTE:ALL MATERIAL COMPLIANT ROHS STANDARD

REVISION INFORMATION			
Rev.	Rev. Date	Modified By	Brief Description



- NOTES:**
- 1.Operation Temperature:-40°C~+85°C.
  - 2.Electrical Characteristics:
    - 2.1>Rated Current:125V AC,1.5A@25°C.
    - 2.2>Contact Resistance:20mΩ Max.
    - 2.3>Insulation Resistance:500MΩ Min,100V DC/min.
    - 2.4>Voltage Proof: 1000V AC/1 minute no breakdown.
  - 3.Mechanical Characteristics:
    - 3.1>Insertion Force & Withdrawal Force:30N Max.
    - 3.2>Durability:750 cycles Min.
  - 4.Environmental compliance:
    - 4.1>the products are compliant with the RoHS, and REACH etc.
  - 5.CONDUCTOR:STRANDED&SOLID WIRE,22AWG,24AWG.  
(It can be used for the wire OD fromØ1.35-Ø1.45mm.)

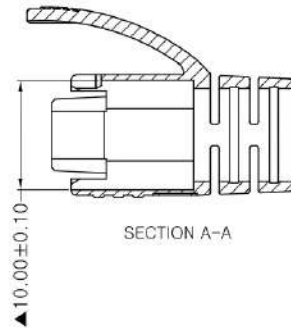
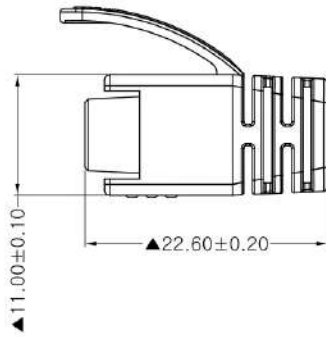
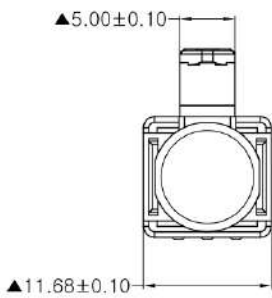
3	BOOT	1PCS	32*4500**	BOOT.Material: PC,UL94V-2,OD8.5mm	Transparent PC	
2	Load Bar	1PCS	30*0444**	Load Bar,4Up and 4Down Ø1.50mm	Transparent PC	
1	Modular Plug	Shell	1PCS	45*40**06	Square hole Au: 6/7* <input type="checkbox"/> 1u" <input type="checkbox"/> 3u" <input type="checkbox"/> Ni .80u" <input checked="" type="checkbox"/>	Brass <input checked="" type="checkbox"/> Spcc <input type="checkbox"/>
		Contacts	8PCS		2Prongs <input type="checkbox"/> 3Prongs <input checked="" type="checkbox"/>	Brass <input type="checkbox"/> Phosphor copper <input checked="" type="checkbox"/>
		Housing	1PCS	21*0071**	CAT&FTP HOUSINGLONG BODY/4UP AND 4DOWN	94V-2 <input checked="" type="checkbox"/> 94V-0 <input type="checkbox"/>
NO	NAME	QTY	PART NO.	DESCRIPTION	MATERIAL	

DIMENSIONAL TOLERANCE	
X.X	±0.20
X.XX	±0.10
X.XXX	±0.05
ANGLE	±2°

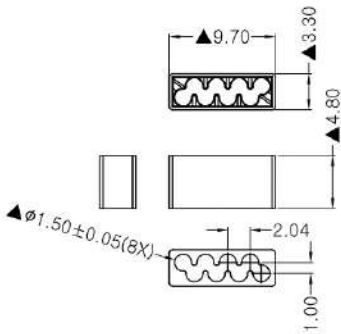
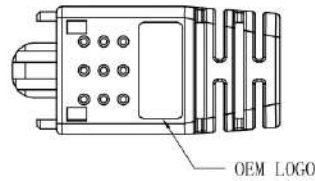
DRAWN BY	DATE	DESCRIPTION:
CHECKED BY	2021.06.18	RJ45 Cat.8 Shielded Plug Solid 50Micron 1.5mm dia 3Prong W/insrier 100tray
APPROVED BY	SHEET 1 of 3	ITEM NO: L8S24-SPX20
SCALE 1:1	REV:00	UNIT:mm

NOTE: ALL MATERIAL COMPLIANT ROHS STANDARD

REVISION INFORMATION			
Rev.	Rev. Date	Modified By	Brief Description



BOOT



Load Bar

**CompuCable**USA

DRAWN BY	DATE 2021.06.18	DESCRIPTION: RJ45 Cat.8 Shielded Plug Solid 50Micron 1.5mm dia 3Prong W/Insulator 100/tray	
CHECKED BY	SHEET 2 of 3	ITEM NO: L8S24-SPX20	
APPROVED BY	SCALE 1:1	REV:00	UNIT:mm