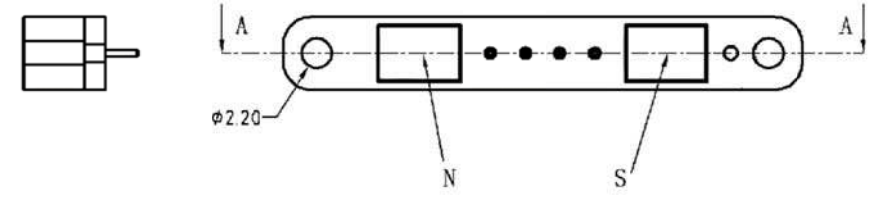
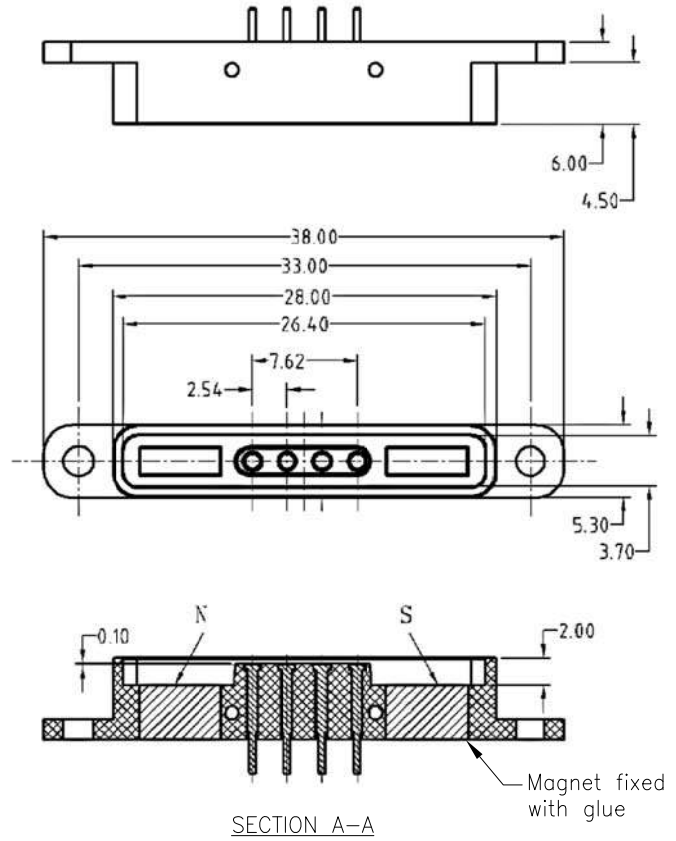


| | | | | |
|-----|-------|-------------|----------|------|
| Rev | AWO # | Description | Date | Appr |
| - | | RELEASED | 11/15/18 | |

APPROVED: _____
DATE: _____ TITLE: _____



SPECIFICATIONS:
Material:
Insulator: HTN, rated UL 94V-0
Insulator color: Black
Contact: Pogo pin, 5u" Gold plated
Magnet: N52 NdFeB, Ni-Cu-Ni plated
Electrical:
Rating Current & Voltage rating: 12VDC, 3A
Contact resistance: 50 mohms max
Environmental:
Lead free, RoHS compliant.



| | | |
|---|--------|----------|
| UNLESS OTHERWISE SPECIFIED ALL DIMENSIONS ARE MILLIMETERS TOLERANCES: EXCEPT AS NOTED | | |
| MM | | ANGLE |
| 0~6 | ± 0.10 | |
| 6~30 | ± 0.20 | ± 2' |
| 30~150 | ± 0.30 | |
| APPROVALS | | DATE |
| DRAWN | HR | 11/15/18 |
| CHECKED | AC | 11/15/18 |
| APPROVED | | |

ADAM TECH INTERCONNECTS 909 Rahway Avenue, Union, NJ 07083
Phone: 908-687-5000 Fax: 908-687-5710

TITLE: 2.54MM PITCH POGO PIN, FEMALE, 4P
SINGLE ROW, MAGNET, STRAIGHT

| | | |
|--------------|---------------------------------|--------------|
| SIZE X | PART NO. PH1-3L-04-FVMP-4560 | REV. - |
| REF: S00170C | SCALE: NTS | SHEET 1 OF 1 |

6 5 4 3 2 1

D

D

C

C

B

B

A

A

6 5 4 3 2 1