

RED INDICATES ORIGINAL

DISK # C 4	DWG SIZE C	DATA CONTAINED IN THIS DOCUMENT IS PROPRIETARY TO TROMPETER ELECTRONICS INC. AND SHALL NOT BE DISCLOSED, COPIED OR USED FOR PROCUREMENT OR MANUFACTURE WITHOUT EXPRESS WRITTEN PERMISSION.	REVISIONS			1-0014	SH 1
			REV	EO	DESCRIPTION	DWN	APPROVED
			AF	8815	ADDED NOTE /B & /G & REDRAWN	J S	5-26-90

DASH NO	FIG	CABLES ACCOMMODATED	A DIM	B FLATS	C HEX	ASSEMBLE PER					
-1/B	1,3	RG-58	.960	.437	.437	TAI-101					
-U1/B		ESSEX 621-715									
-2/B		RG-59									
-U2/B		BELDEN 8279									
-2A		AT&T 730A									
-U2A											
-2B											
-U2B											
-3		RG-223									
-U3		RG-55									
-3A	RG-122										
-U3A	BELDEN 8218										
-4	RG-174										
-U4	RG-187										
-5/B	1	RG-196	1.001	.500	.500	TAI-119					
-5A		HEWLETT-PACKARD 8120-1107									
-5B		BELDEN 9231									
-U5/B		RG-5									
-5A		RG-6									
-6											
-U6											
-6E											
-U6E											
-21		1,3					RG-303	.960	.437	.437	TAI-101
-U21	RG-180										
-22	GRUMMAN 6C875GP1										
-U22	RG-187 DBL SHLD										
-31	BELDEN 8228										
-U31	275-3991 MICRODOT										
-34	616-569 AMPEX										
-U34	810 RAYCHEM										
-36	RG-304										
-U36	9248 BELDEN										
-37	1	BRAND-REX 8749	1.001	.500	.500	TAI-119					
-U37		60RE C06C032									
-41		88281 BELDEN									
-U41		89120 BELDEN									
-44											
-U44											
-51		1,3					89555 BELDEN	.960	.437	.437	TAI-101
-U51							734A.AT&T				
-52											
-U52											
-53	2		RG-405	.960	.437	.437	TAI-130				
-U53			RG-402								
-63											
-U63											
-086											
-U086											
-141											
-U141											

FIG 1
- 1 SHOWN

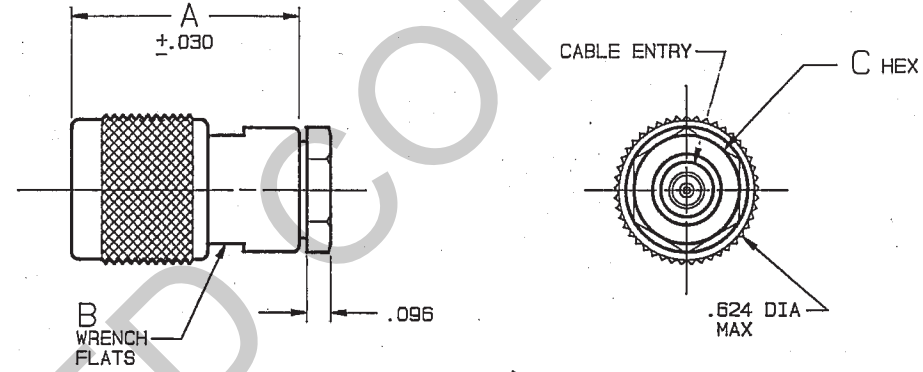


FIG 2
- 086 SHOWN

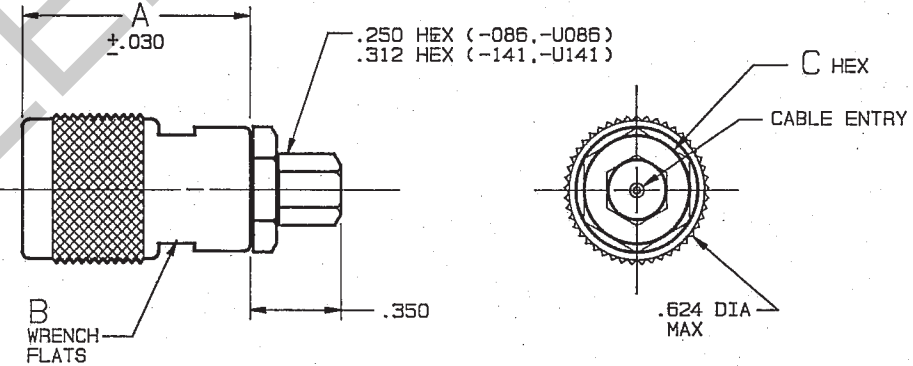
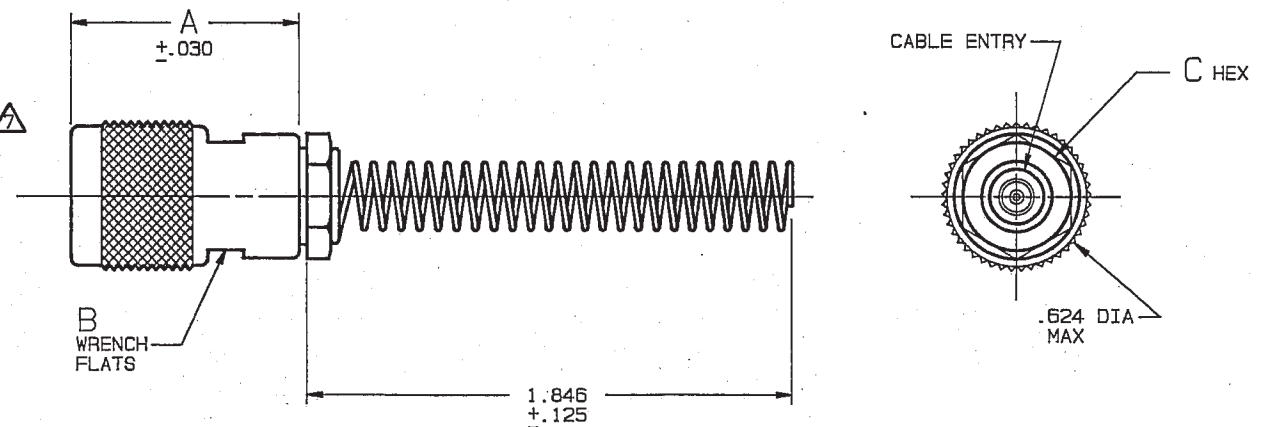


FIG 3
- 1 SHOWN



INCH	MM
.005	0.13
.030	0.76
.096	2.44
.125	3.18
.250	6.35
.312	7.92
.350	8.89
.437	11.10
.500	12.70
.624	15.85
.960	24.38
1.001	25.43
1.846	46.89

⚠ IF SAFETY WIRE & BEND RELIEF SPRING REQUIRED ADD SUFFIX "SBR" TO MODEL NO. (NOT AVAILABLE WITH CABLE GROUPS -6, -U6, -6E, -U6E, -51, -U51, -52, -U52, -63, -U63, -086, -U086, -141 & -U141)

⚠ IF BEND RELIEF SPRING REQUIRED ADD SUFFIX "BR" TO MODEL NO. (SEE FIG 3) (NOT AVAILABLE WITH CABLE GROUPS -6, -U6, -6E, -U6E, -51, -U51, -52, -U52, -63 & -U63)

⚠ IF SAFETY WIRE REQUIRED ADD SUFFIX "S" TO MODEL NO (PL40S/UPL40S)

4. DASH NO DENOTES CABLE GROUP EXCEPT "U" PREFIX DENOTES 75 OHM VERSION

3. MALE TYPE TNC COAXIAL CABLE PLUG BOTH 50 & 75 OHM VERSIONS

2. FINISH: TFS-1A (NICKEL)

1. ALL DIM ARE IN INCHES

⚠ FOR CABLE GROUPS -1 & -U1 SUPPLY 1 EA ACA1 FOR CABLE GROUPS -2 & -U2 SUPPLY 1 EA ACA2 FOR CABLE GROUPS -5 & -U5 SUPPLY 1 EA ACAS MAY BE ASSEMBLED TO CABLE/CONNECTOR ASSY USING 3M SCOTCHGRIP NO. 1099 PLASTIC ADHESIVE, OR EQUIV.)

⚠ IF PLASTIC STRAIN RELIEF REQUIRED, ADD SUFFIX "BT" TO MODEL NO. (ONLY AVAILABLE WITH -1, -U1, -2, -U2, -5, -U5)

QTY	DESCRIPTION	PART NUMBER	ITEM
11-02	1-0217	1-0026	
12-06	1-0214	105-0489	
105-0717	1-0206	105-0241	
105-0623	1-0205	205-0001	
		NEXT ASSY	

TOL UNLESS SPECIFIED			
.XX ±	.XXX ± .005	PL40/S/BR/SBR/ UPL40/S/BR/SBR	
ANGLES:		DWN	J S 3/18/90
		CHK	UH 3/23/90
		ENGR	JM 3/23/90
		APPR	J S 3-23-90
MATERIAL	CODE IDENT	DRAWING NO.	REV
	14949	1-0014	AF
SCALE 2/1	DATE 5/12/66	SHEET 1 OF 2	