

W58M-



SWITCH FUNCTION CODE	SWITCH FUNCTION DESCRIPTION
A	MECHANICAL, MOMENTARY, WIRELEADS
B	MECHANICAL, MAINTAIN, WIRELEADS

HOUSING MATERIAL CODE	HOUSING DESCRIPTION
1	STAINLESS STEEL
2	ALUMINUM, INHERENT

ILLU. TYPE CODE	ILLUMINATION TYPE DESCRIPTION
0	NON-ILLUMINATION
2	RING ILLUMINATION
3	POWER/STANDBY SYMBOL ILLUMINATION
R	RED BUTTON, NON-ILLUMINATION

LED COLOR CODE	LED COLOR
N	NONE
G	GREEN
R	RED
B	BLUE
W	WHITE
Y	YELLOW
RB	RED/BLUE DUAL
RG	RED/GREEN DUAL
BG	BLUE/GREEN DUAL

LED INLET VOLTAGE CODE	LED INLET VOLTAGE
IF BLANK*	(SEE NOTE)
05	5V
12	12V
24	24V

**MECHANICAL CHARACTERISTICS:**  
 SWITCH CIRCUITRY: SPST-NO-DB (CONTACT FORM X)  
 SWITCH ACTION: MOMENTARY AND MAINTAINED (PER CHART)  
 BUTTON TRAVEL: 2.3 mm [.090 in] NOMINAL  
 OPERATING FORCE: 306g [3N] NOMINAL  
 CONTACT BOUNCE: 1ms NOMINAL

PANEL THICKNESS: 0.5 - 4.5 mm [.020-.177 in]  
 CONTACTS: GOLD PLATED  
 NUT TORQUE FORCE: MAX 11.5 kgf-cm [10 LB-in]

**ENVIRONMENTAL SPECIFICATIONS:**  
 ACTUATOR INGRESS PROTECTION: IP67

**OPERATING TEMPERATURE:**  
 NON-ILLUMINATION TYPE: -40° C to +85° C [-40° F to +185° F]  
 ILLUMINATION TYPE: -25° C to +85° C [-13° F to +185° F]

**ELECTRICAL SPECIFICATIONS:**  
 CURRENT RATING:  
 MOMENTARY:  
 250mA@12VDC, 100K cycles  
 150mA@28VDC, 150K cycles  
 10mA@12VDC, 1,000K cycles  
 MAINTAINED : 50,000 CYCLES NOMINAL  
 DIELECTRIC STRENGTH: 1,000VAC  
 INSULATION RESISTANCE: 1G OHM  
 CONTACT RESISTANCE: 250m OHMS MAX (initial)

**LED SPECIFICATIONS:**  
 SEE LED SPECIFICATION(PAGE 1)

**WIRELEADS SPECIFICATION:**  
 1. WIRELEADS USED BY AWG26/UL1007  
 2. SWITCH WIRELEADS:BLUE

**NOTE:**  
 1. CURRENT LIMITING RESISTOR IS REQUIRED TO LIMIT LED FORWARD CURRENT TO 20mA  
 2. SUPPLY HEX NUT AND SEALING WASHER BULK PACKED

LED SPECIFICATION					
LED CODE	LED SINGLE COLOR	Vf(VDC)	If (mA)	CIRCUITRY	
		TYP.			
R	RED	2.2	20		
Y	YELLOW	2.2	20		
G	GREEN	3.2	20		
B	BLUE	3.2	20		
W	WHITE	3.2	20		
LED CODE	BICOLOR LED		Vf(VDC)	If (mA)	CIRCUITRY
	COLOR1	COLOR2	TYP.		
RB	RED	BLUE	2 (RED) 3.2 (BLUE)	20	
RG	RED	GREEN	2 (RED) 3.2 (GREEN)	20	
BG	BLUE	GREEN	3.4 (BLUE) 3.2 (GREEN)	20	

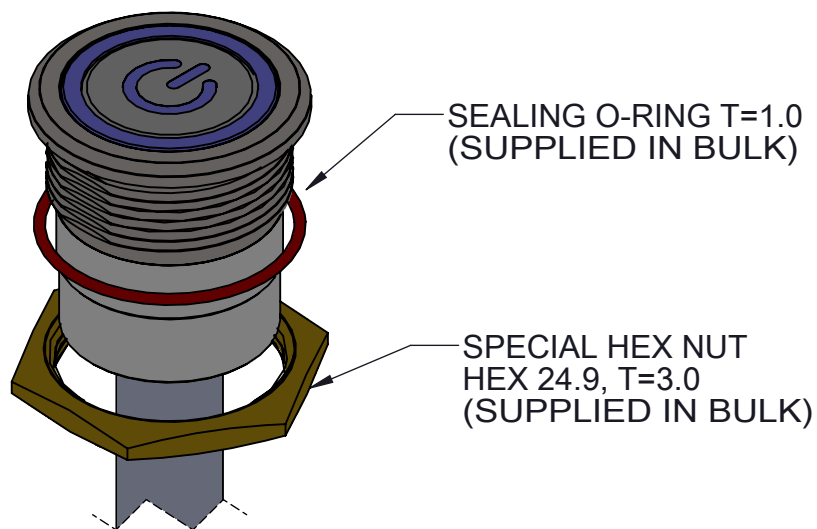
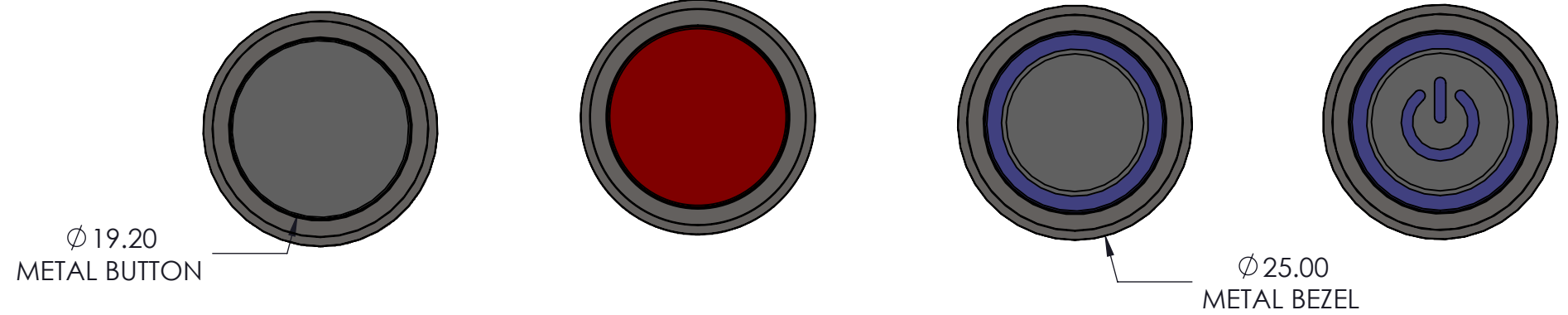
Notes:  
 Hand Soldering Temperature (4mm above from Body) : 320°C for 3 seconds

DWG TYPE SALES DRAWING	DRAWN <i>yw</i>	TOLERANCES: UNLESS OTHERWISE NOTED X.X ± 0.5 X.XX ± 0.2 ANGULAR ± 1°	DWG TITLE W58M-MECHANICAL NONE/CENTER SPOT/ POWER STANDBY SYMBOL ILLUMINATION								
STATUS RELEASE	REVIEW <i>JR</i>		DWG NO. W58M-A,B								
This document is the intellectual property of ITW Electronic Business Asia Co., Limited and may contain confidential, proprietary, privileged information protected by law. Neither this document nor any information it contains can be reproduced, transformed to any other format, or distributed, without written permission by ITW Electronic Business Asia Co., Limited. 本文件為安達維百電股份有限公司之智慧財產，非經許可不得擷取、複製、轉變成其他形式使用或散佈。			APPROVED	THIRD ANGLE PROJECTION	<input checked="" type="checkbox"/> 管制文件 <input type="checkbox"/> 非管制文件		Unit mm	SCALE 3:2	REV 5	RoHS Compliant	SHEET 1 OF 3
			DATE	REF: T48-1, 2							

8 7 6 5 4 3 2 1

F

NONE ILLUMINATION BUTTON    NONE ILLUMINATION RED BUTTON    RING TYPE ILLUMINATION BUTTON    POWER/STANDBY LOGO ILLUMINATION BUTTON



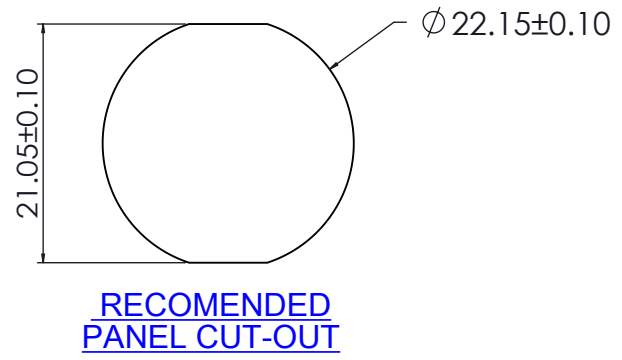
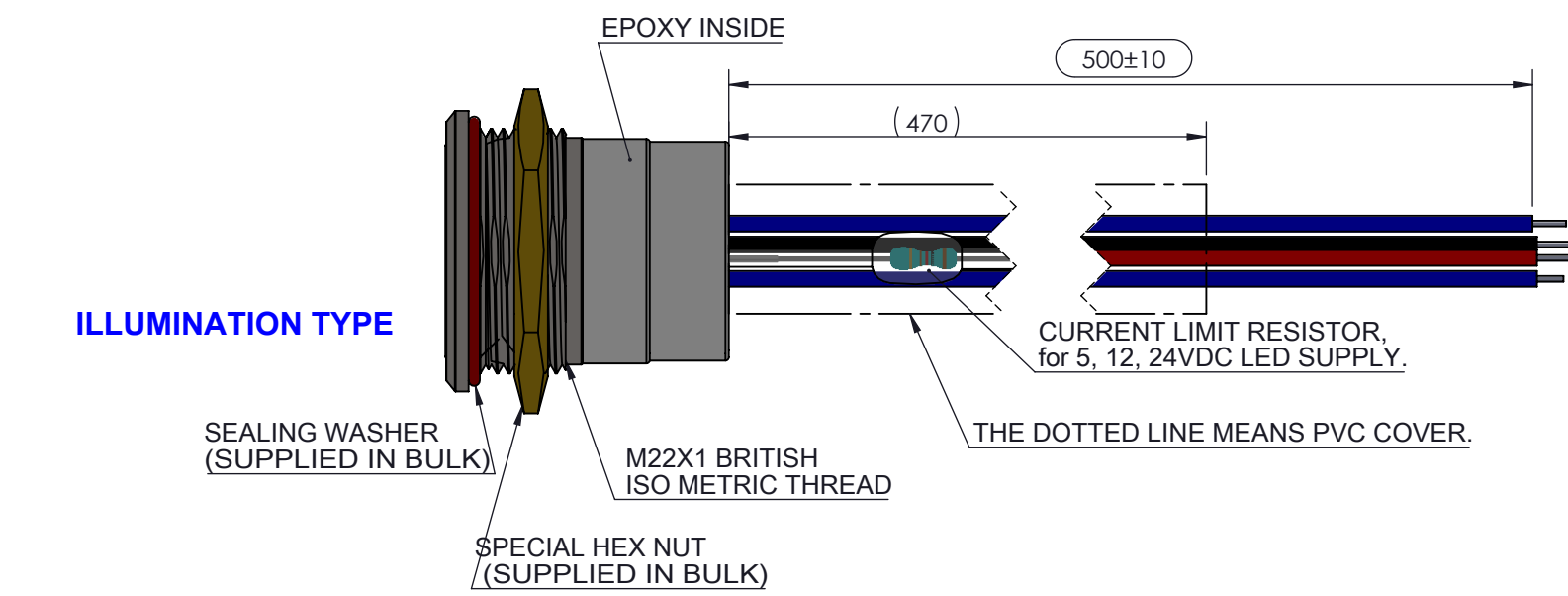
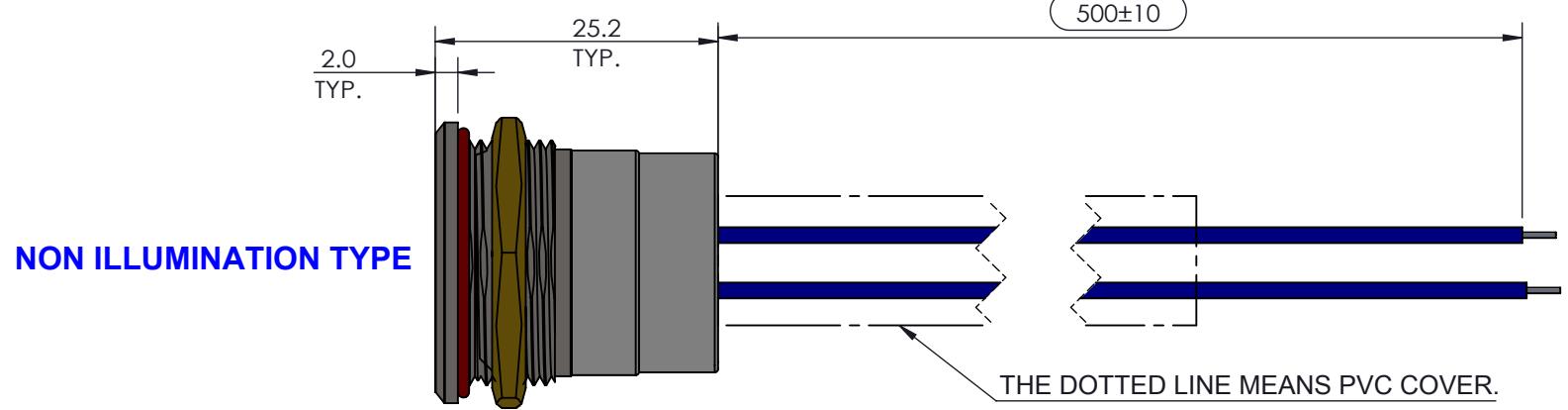
E

D

C

B

A



DWG TYPE SALES DRAWING	DRAWN <i>yw</i>	TOLERANCES: UNLESS OTHERWISE NOTED X.X ± 0.5 X.XX ± 0.2 ANGULAR ± 1°	DWG TITLE W58M-MECHANICAL NONE/CENTER SPOT/ POWER STANDBY SYMBOL ILLUMINATION							
STATUS RELEASE	REVIEW <i>JR</i>	THIRD ANGLE PROJECTION 	DWG NO. W58M-A,B							
<small>This document is the intellectual property of ITW Electronic Business Asia Co., Limited and may contain confidential, proprietary, privileged information protected by law. Neither this document nor any information it contains can be reproduced, transformed to any other format, or distributed, without written permission by ITW Electronic Business Asia Co., Limited. 本文作為安達維百電股份有限公司之智慧財產，非經許可不得擷取、複製、轉變成其他形式使用或散佈。</small>			DATE	REF: T48-1, 2	<input checked="" type="checkbox"/> 管制文件 <input type="checkbox"/> 非管制文件	Unit mm	SCALE 3:2	REV 5	RoHS Compliant	SHEET 2 OF 3

8 7 6 5 4 3 2 1