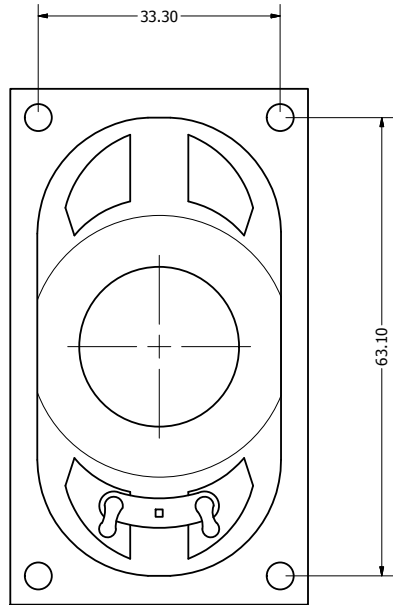
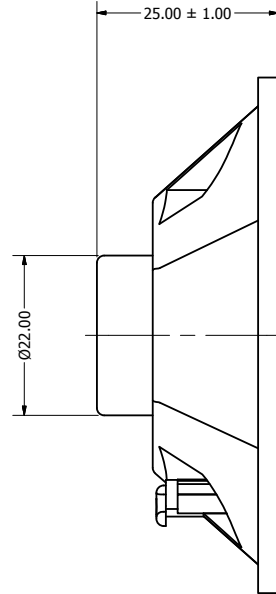


Part Number:	SP710204-2	
DESCRIPTION:	Dynamic Speaker	
DRAWN	CJ	9/24/2015
CHECKED	P.D	9/24/2015
APPROVED	J.S	9/24/2015
This document contains data proprietary to DB Unlimited. Any use or reproduction, in any form, without prior written permission of DB Unlimited is prohibited. All terms and conditions can be found at www.dbunlimitedco.com		

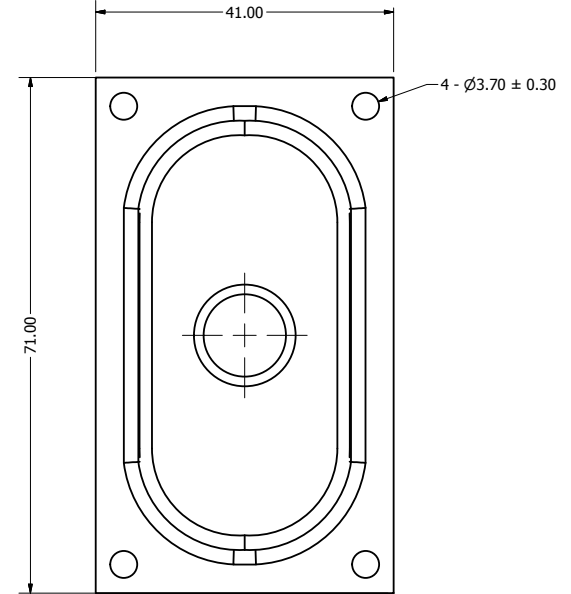
Bottom View



Side View



Top View



Items	Specifications	Conditions
Sound Pressure Level	86	dB (@ 10cm)
Resonant Frequency	250	Hz
Frequency Range	100 ~ 20,000	Hz
Nominal Power	3	W
Max. Power	5	W
Impedance	4	Ω
Cone Material	Paper	
Mount Type	Frame	
Storage Temperature	-30 ~ +70	°C
Operating Temperature	-20 ~ +60	°C
Weight	38	g

REVISION HISTORY			
REV	DESCRIPTION	DATE	APPROVED
	Released from Engineering	9/24/2015	J.S.

- NOTES
- 1) All dimensions are in mm unless otherwise noted
 - 2) All tolerances are ± 0.5 mm unless otherwise noted
 - 3) All parts meet RoHS
 - 4) Subject to change or redrawn without notice