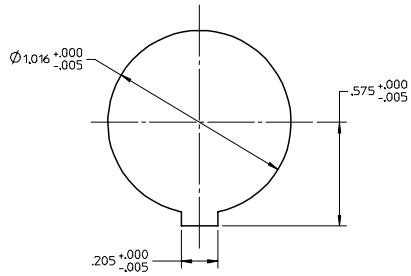
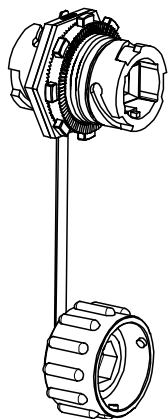


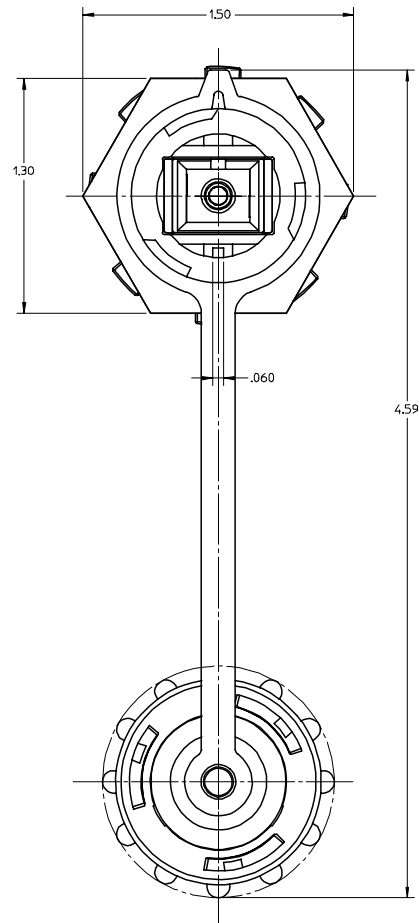
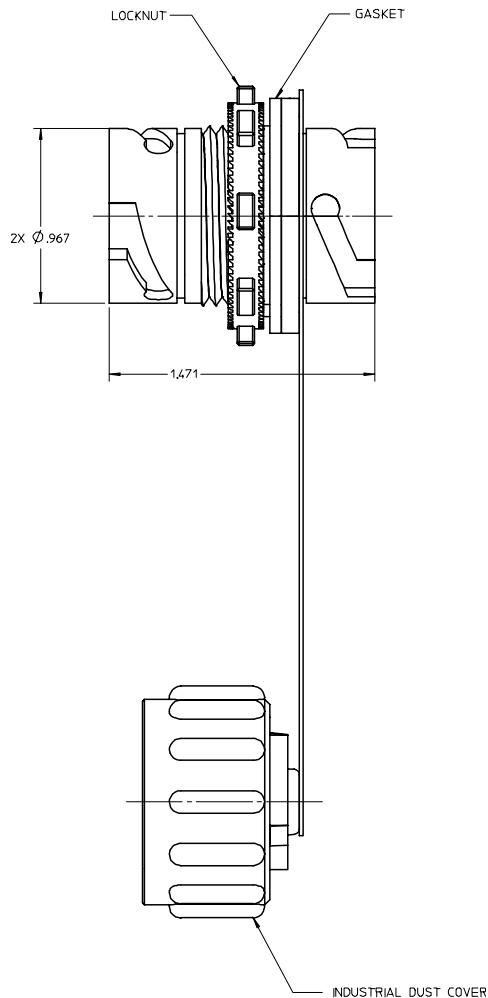
SC IN-LINE ADAPTER P/N	CONNECTOR TYPE
1060594100	SINGLE MODE
1060594110	MULTIMODE
1060594120	APC



RECOMMENDED MOUNTING CUTOUT



ISOMETRIC VIEW  
SCALE 1:1



NOTES:  
ALL DIMENSIONS ARE FOR REFERENCE ONLY.

ENTER DESCRIPTION EC NO: MF2007-0511 DRAWN BY: DRW:ADOBAL TRUKONIS CHKD: APPR: JGUMIN 2007/02/12 DESCRIPTION REVISIONS 1 2007/02/12	QUALITY SYMBOLS	GENERAL TOLERANCES (UNLESS SPECIFIED)		DIMENSION STYLE INCH ONLY		SCALE 2:1	DESIGN UNITS INCH	THIRD ANGLE PROJECTION	
	 		mm	INCH	DRAWN BY D.B.	DATE 2006/6/29	TITLE <b>SC IN-LINE INDUSTRIAL ADAPTER</b>		
		4 PLACES	±----	±----	CHECKED BY	DATE			
		3 PLACES	±----	±----	APPROVED BY	DATE 2006/6/29	MOLEX INCORPORATED DOCUMENT NO. SD-106059-41X0 SHEET NO. 1 OF 1		
2 PLACES	±----	±----	MATERIAL NO. 10605941X0						
1 PLACE	±----	±----	ANGULAR ±1/2°		DRAFT WHERE APPLICABLE MUST REMAIN WITHIN DIMENSIONS THIS DRAWING CONTAINS INFORMATION THAT IS PROPRIETARY TO MOLEX INCORPORATED AND SHOULD NOT BE USED WITHOUT WRITTEN PERMISSION				