

|            |         |            |            |               |
|------------|---------|------------|------------|---------------|
| 記號<br>MARK | ECN NO. | 日期<br>DATE | 修改<br>DRAW | 核准<br>APPROVE |
|            |         |            |            |               |
|            |         |            |            |               |

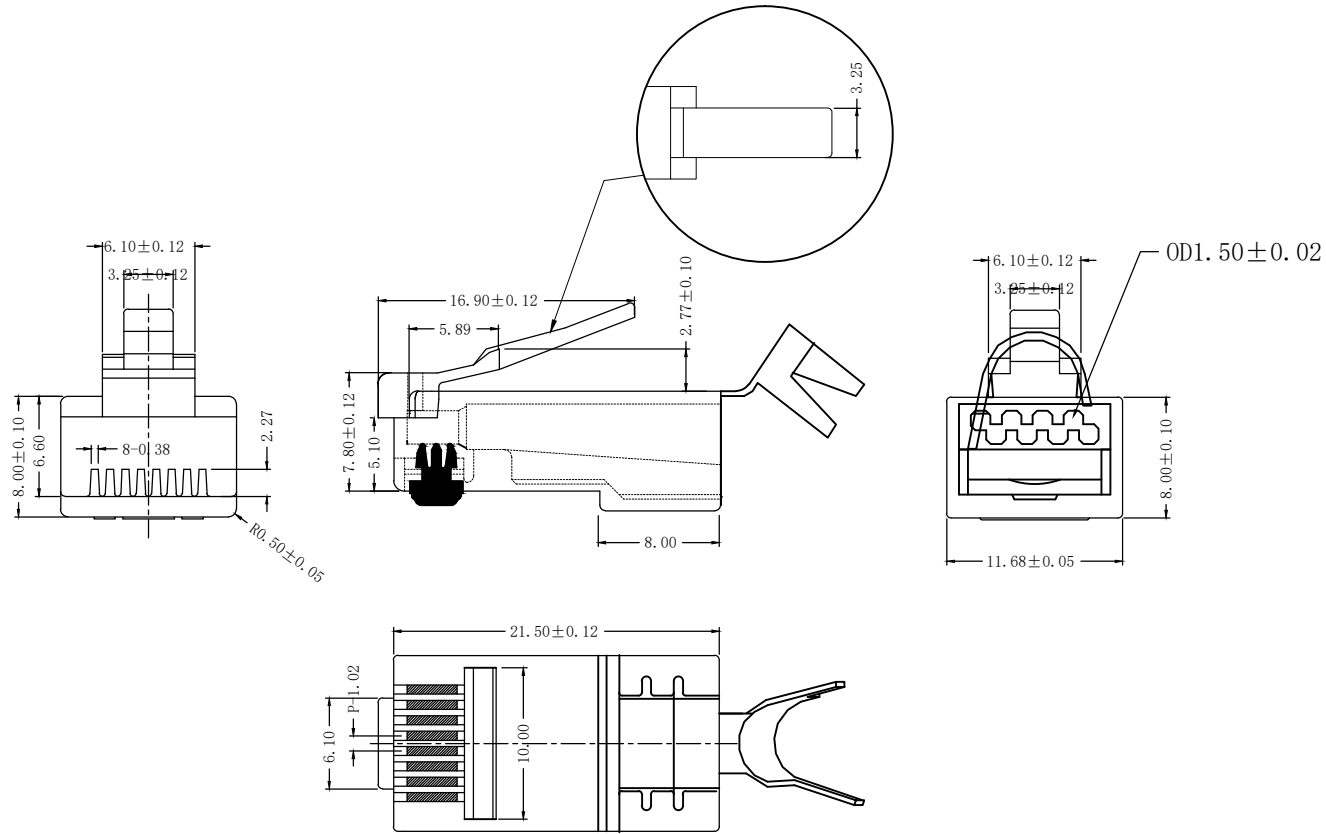
FEATURES:

1 Electrical Test:

- A. Safety Voltage/Current Rating 150V ac, at 1.5A.
- B. Dielectric with standing 1000V/DC/min, <0.5A.
- C. Insulation Resistance: >500M Ω, 1000V./min
- D. Contact Resistance: <20M Ω

2 Mechanical:

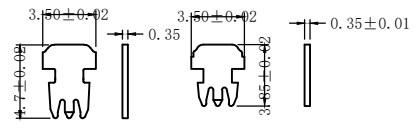
- A. Cable-to-Plug tensile strength-20LBs(89N)min.
- B. Durability: 750 mating cycles.
- 3 Operation Temperature: -40℃ ~ +85℃.
- 4. Environmental compliance
- A. the products are compliant with the RoHS, and REACH ETC.
- 5. Safety standards: UL E239590



**EASE** electronics **EASE ELECTRONICS CO., LIMITED**

排线支架

铜片规格



|                                                                                                                                                                                                                                               |                                      |                                    |                                                               |                                    |  |                                 |             |             |            |             |     |
|-----------------------------------------------------------------------------------------------------------------------------------------------------------------------------------------------------------------------------------------------|--------------------------------------|------------------------------------|---------------------------------------------------------------|------------------------------------|--|---------------------------------|-------------|-------------|------------|-------------|-----|
| <input type="checkbox"/> 屏蔽壳<br>Shell                                                                                                                                                                                                         | <input type="checkbox"/> 黄铜<br>Brass | <input type="checkbox"/> 铁<br>Spcc | 品名规格<br>DESCRIPTION                                           | CONN MOD PLUG 8P8C UNSHIELDED CAT7 |  |                                 | 页次<br>SHEET | 1/1         |            |             |     |
| Au: <input type="checkbox"/> G/F" <input type="checkbox"/> 1u" <input type="checkbox"/> 3u" <input type="checkbox"/> Ni <input type="checkbox"/> 80u"                                                                                         |                                      |                                    | 产品编号<br>PRODUCT NO                                            | RJ45-7S                            |  | 单位<br>UNIT                      | mm          | 比例<br>SCALE | 1:1        | 版本<br>EDITI | A/0 |
| 胶壳 PC(聚碳酸酯) <input type="checkbox"/> 94-V0 <input checked="" type="checkbox"/> 94-V2                                                                                                                                                          |                                      |                                    | DIMENSION IN mm(Inch)<br>TOLERANCE UNLESS OTHERWISE SPECIFIED |                                    |  | 制图<br>DRAWN                     |             | 王辉          | 日期<br>DATE | 2022.07.21  |     |
| 金片 (PIN针) <input checked="" type="checkbox"/> 黄铜 <input type="checkbox"/> 磷铜<br>Contacts Brass Phosphor copper                                                                                                                                |                                      |                                    | x. x ±0.2                                                     |                                    |  | 核<br>对<br>CHECK                 |             |             | 日期<br>DATE | 2022.07.21  |     |
| <input type="checkbox"/> G/F" <input type="checkbox"/> 1u" <input type="checkbox"/> 3u" <input type="checkbox"/> 6u"<br><input type="checkbox"/> 15u" <input type="checkbox"/> 30u" <input type="checkbox"/> 50u" <input type="checkbox"/> S" |                                      |                                    | x. xx ±0.1                                                    |                                    |  | 批<br>准<br>APPRO                 |             | 夏赞华         | 日期<br>DATE | 2022.07.21  |     |
|                                                                                                                                                                                                                                               |                                      |                                    | x. xxx ±0.05                                                  |                                    |  | 第三视角法<br>THIRD ANGLE PROJECTION |             |             |            |             |     |