

Features

- Designed for High Volume Applications
- Crossover Quad Configuration
- Lead Free and RoHS* Compliant With 260°C Reflow Capability
- 100 % MATTE Tin Plating
- Available in SOT-143 (ODS –1068)
- Tape and Reel Deliverable

Description and Applications

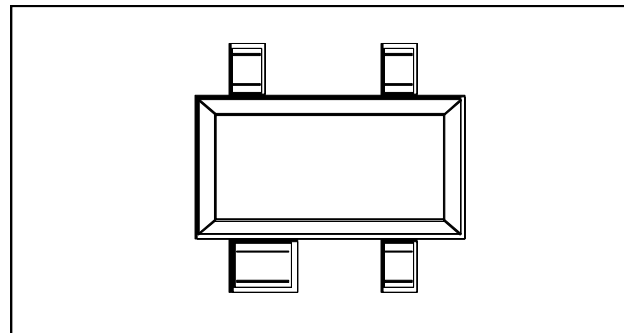
M/A-COM's MA4E2072 is a high performance silicon Schottky cross over quad. These parts are usable for a variety of mixer applications. The closely matched junctions minimize variation in capacitance, forward voltage and dynamic resistance within the four diodes in the quad. They are offered in low, medium and high barrier heights. These diodes are available in a small profile surface mount package SOT-143 (ODS-1068). They are available in tape and reel for automatic pick and place assembly.

Associated Application Note

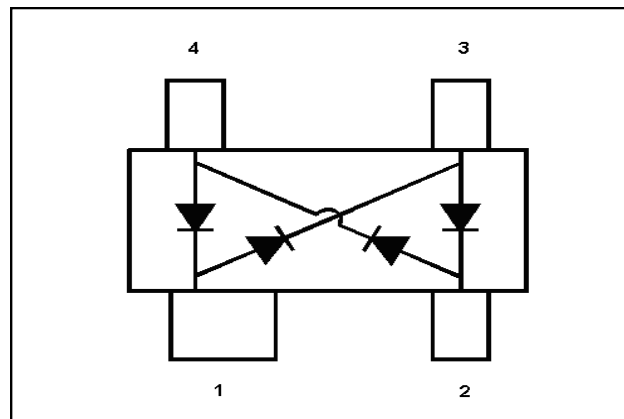
M538 – Surface Mounting Instructions

Package Outline (Topview)

SOT-143 (1068)



Configuration (Topview)



*Restrictions on Hazardous Substances, European Union Directive 2002/95/EC.

Surface Mount Schottky Crossover Quads

Rev. V2

Maximum Ratings @ +25 °C ¹

Parameter	Unit	Values
Operating Temperature	°C	-65 to +125
Storage Temperature	°C	-65 to +125
Junction Temperature	°C	+150
RF Incident Power (CW)	mW	75
Soldering Temperature	°C	+260 max

1. Operation of this device above any one of these parameters may cause permanent damage.

Electrical Specifications @ +25 °C

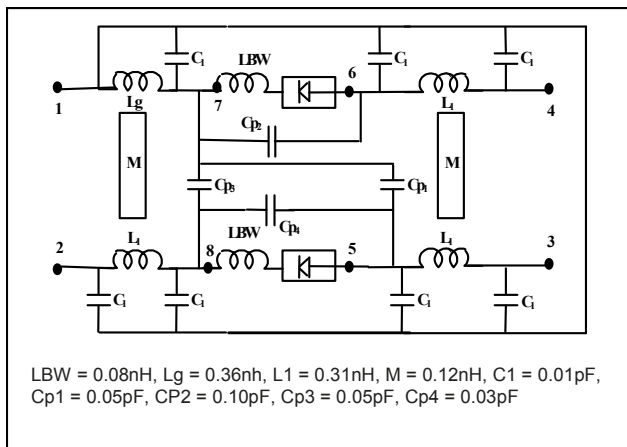
Part Number	Forward Voltage ²			Junction Capacitance ³	Dynamic Resistance
	Vf Typical (mV)	Vf Max. (mV)	Delta Vf Max. (mV)	Cj Typical (pF)	Rd Max. (ohms)
MA4E2072L -1068T	230	240	5	.5	7.0
MA4E2072M -1068T	363	400	5	.5	7.0

2. Forward voltage is measured at If = 1 mA

3. Cj is measured at Vr =0 volts and f=1MHz.

Equivalent Circuit Parasitics

SOT-143

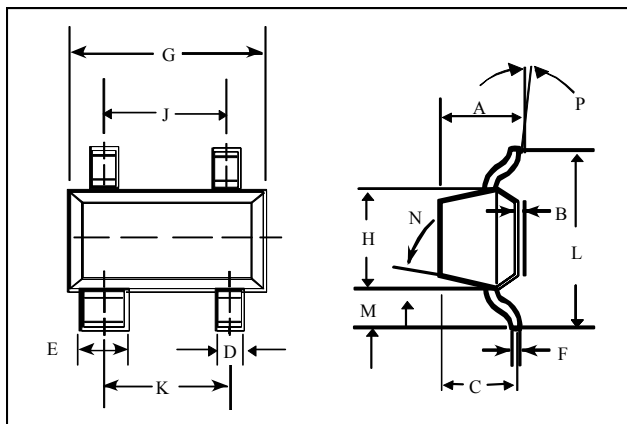


Spice Model Parameters

Parameter	L	M
IS	5.66n	3n
IKF	0.02	0.02
N	1.04	1.05
RS	1.4	1.7
CJO	0.32 pF	.35 pF
M	.23	.041
FC	0.1	0.1
VJ	0.16	0.07
EG	0.7	0.7
XTI	2	2
TT	0	0

Case Style

SOT-143



SOT-143 (Case Style 1068)

DIM.	INCHES		MILLIMETERS	
	MIN.	MAX.	MIN.	MAX.
A	-	0.044	-	1.10
B	-	0.044	-	1.10
C	-	0.040	-	1.00
D	0.030	0.035	0.75	0.90
E	0.013	0.020	0.35	0.50
F	0.003	0.006	0.08	0.15
G	0.110	0.119	2.80	3.00
H	0.047	0.056	1.20	1.40
J	0.075 typical		1.90 typical	
K	0.075 typical		1.90 typical	
L	-	0.103	-	2.6
M	-	0.024	-	0.6
DIM.	GRADIENT			
N	10° max. ⁴			
P	2° ... 30°			

4. Applicable on all sides

M/A-COM Technology Solutions Inc. All rights reserved.

Information in this document is provided in connection with M/A-COM Technology Solutions Inc ("MACOM") products. These materials are provided by MACOM as a service to its customers and may be used for informational purposes only. Except as provided in MACOM's Terms and Conditions of Sale for such products or in any separate agreement related to this document, MACOM assumes no liability whatsoever. MACOM assumes no responsibility for errors or omissions in these materials. MACOM may make changes to specifications and product descriptions at any time, without notice. MACOM makes no commitment to update the information and shall have no responsibility whatsoever for conflicts or incompatibilities arising from future changes to its specifications and product descriptions. No license, express or implied, by estoppel or otherwise, to any intellectual property rights is granted by this document.

THESE MATERIALS ARE PROVIDED "AS IS" WITHOUT WARRANTY OF ANY KIND, EITHER EXPRESS OR IMPLIED, RELATING TO SALE AND/OR USE OF MACOM PRODUCTS INCLUDING LIABILITY OR WARRANTIES RELATING TO FITNESS FOR A PARTICULAR PURPOSE, CONSEQUENTIAL OR INCIDENTAL DAMAGES, MERCHANTABILITY, OR INFRINGEMENT OF ANY PATENT, COPYRIGHT OR OTHER INTELLECTUAL PROPERTY RIGHT. MACOM FURTHER DOES NOT WARRANT THE ACCURACY OR COMPLETENESS OF THE INFORMATION, TEXT, GRAPHICS OR OTHER ITEMS CONTAINED WITHIN THESE MATERIALS. MACOM SHALL NOT BE LIABLE FOR ANY SPECIAL, INDIRECT, INCIDENTAL, OR CONSEQUENTIAL DAMAGES, INCLUDING WITHOUT LIMITATION, LOST REVENUES OR LOST PROFITS, WHICH MAY RESULT FROM THE USE OF THESE MATERIALS.

MACOM products are not intended for use in medical, lifesaving or life sustaining applications. MACOM customers using or selling MACOM products for use in such applications do so at their own risk and agree to fully indemnify MACOM for any damages resulting from such improper use or sale.

5

M/A-COM Technology Solutions Inc. (MACOM) and its affiliates reserve the right to make changes to the product(s) or information contained herein without notice.
Visit www.macom.com for additional data sheets and product information.