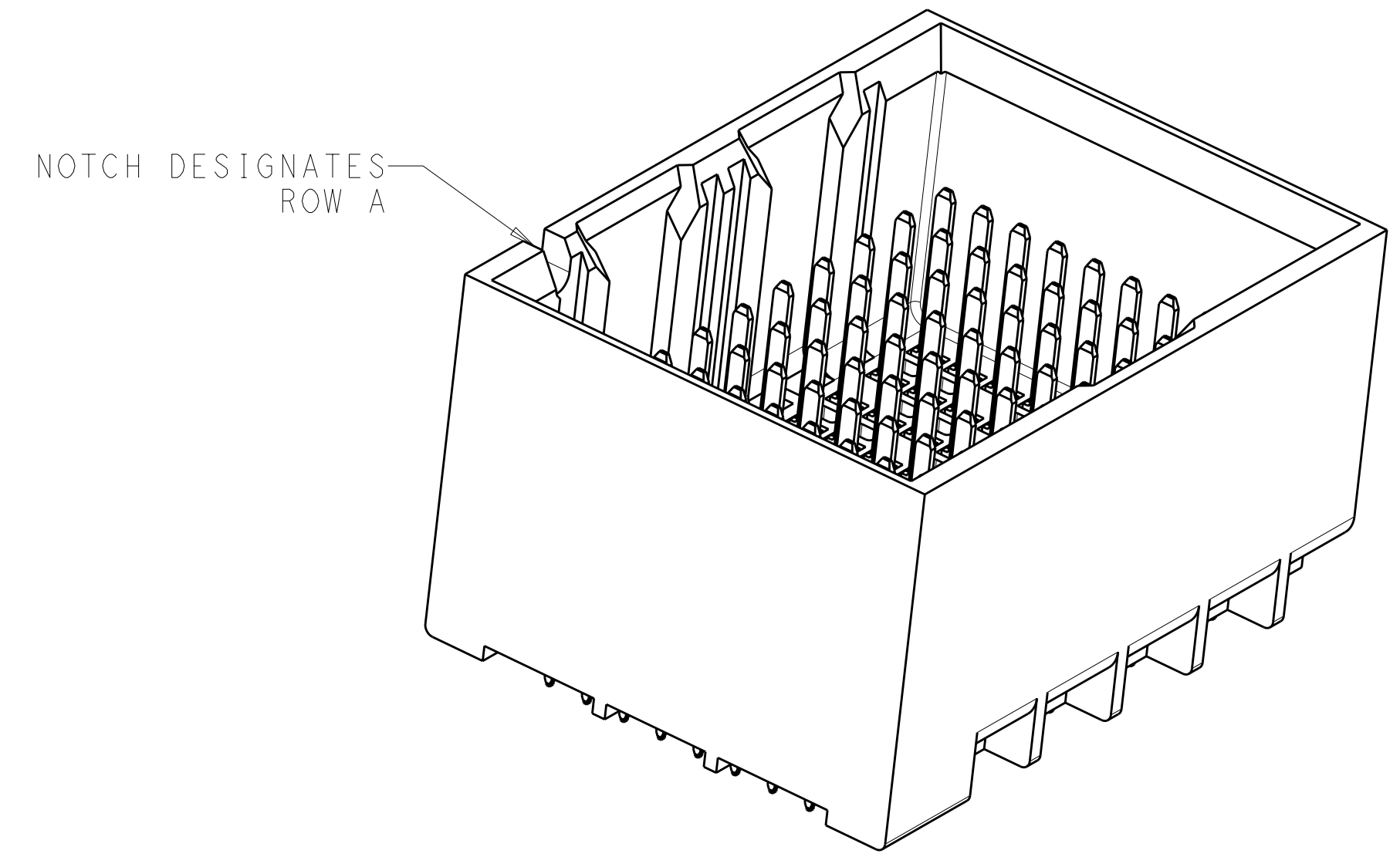
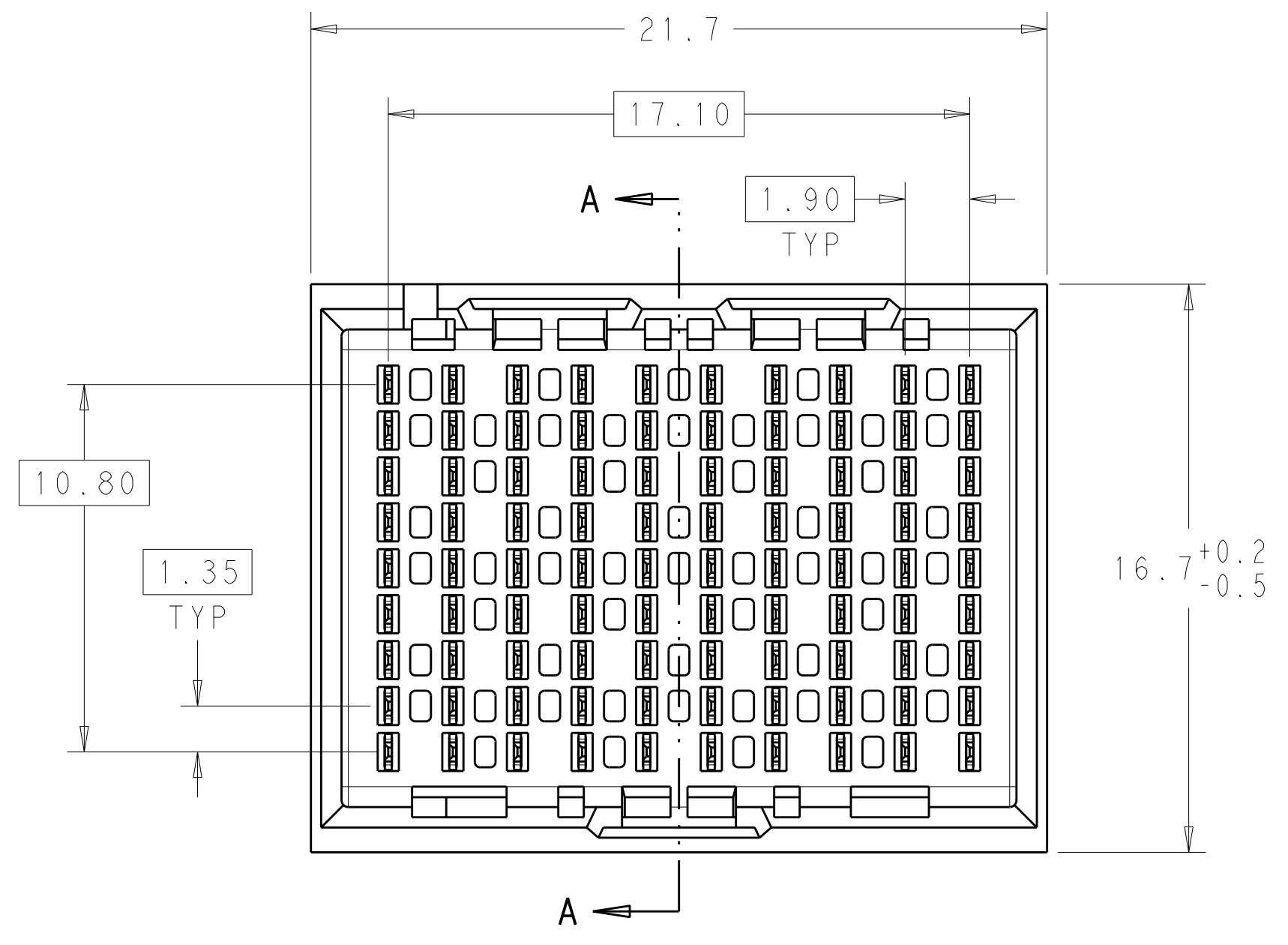
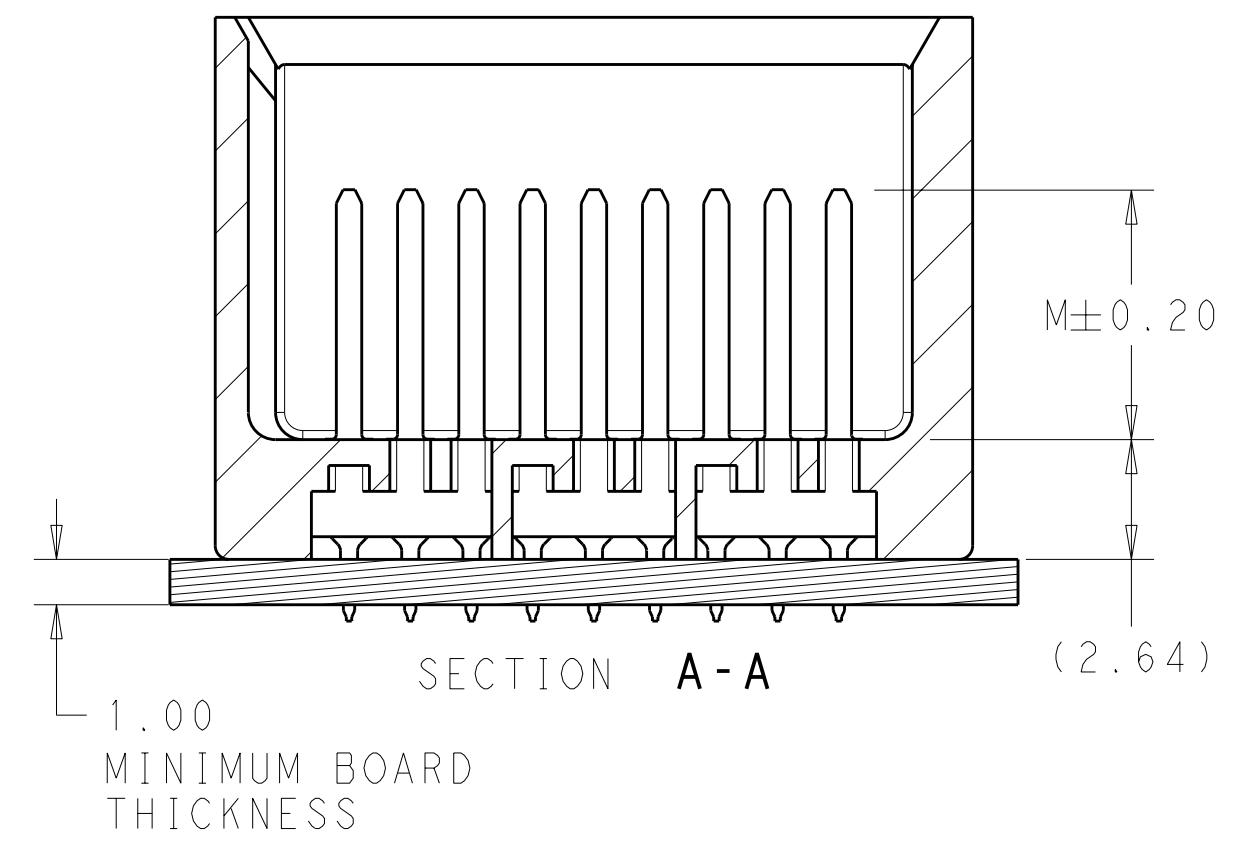
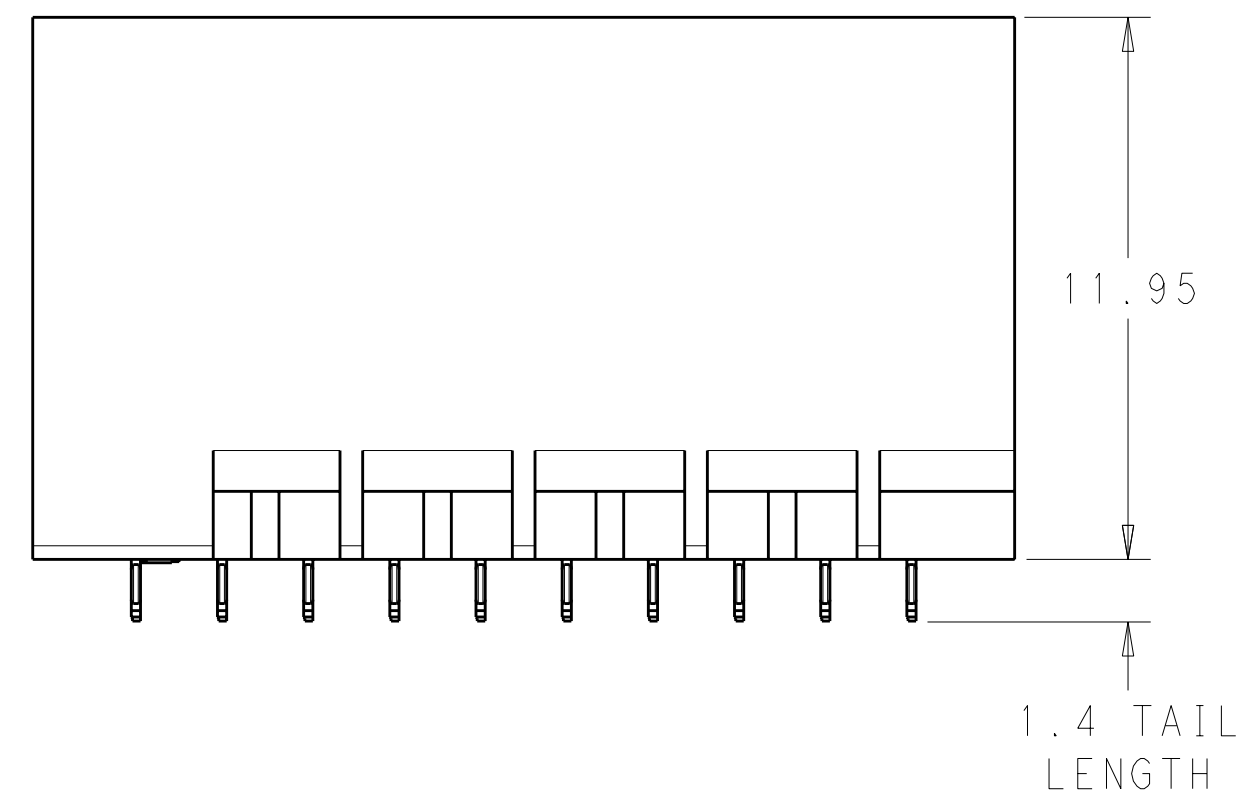
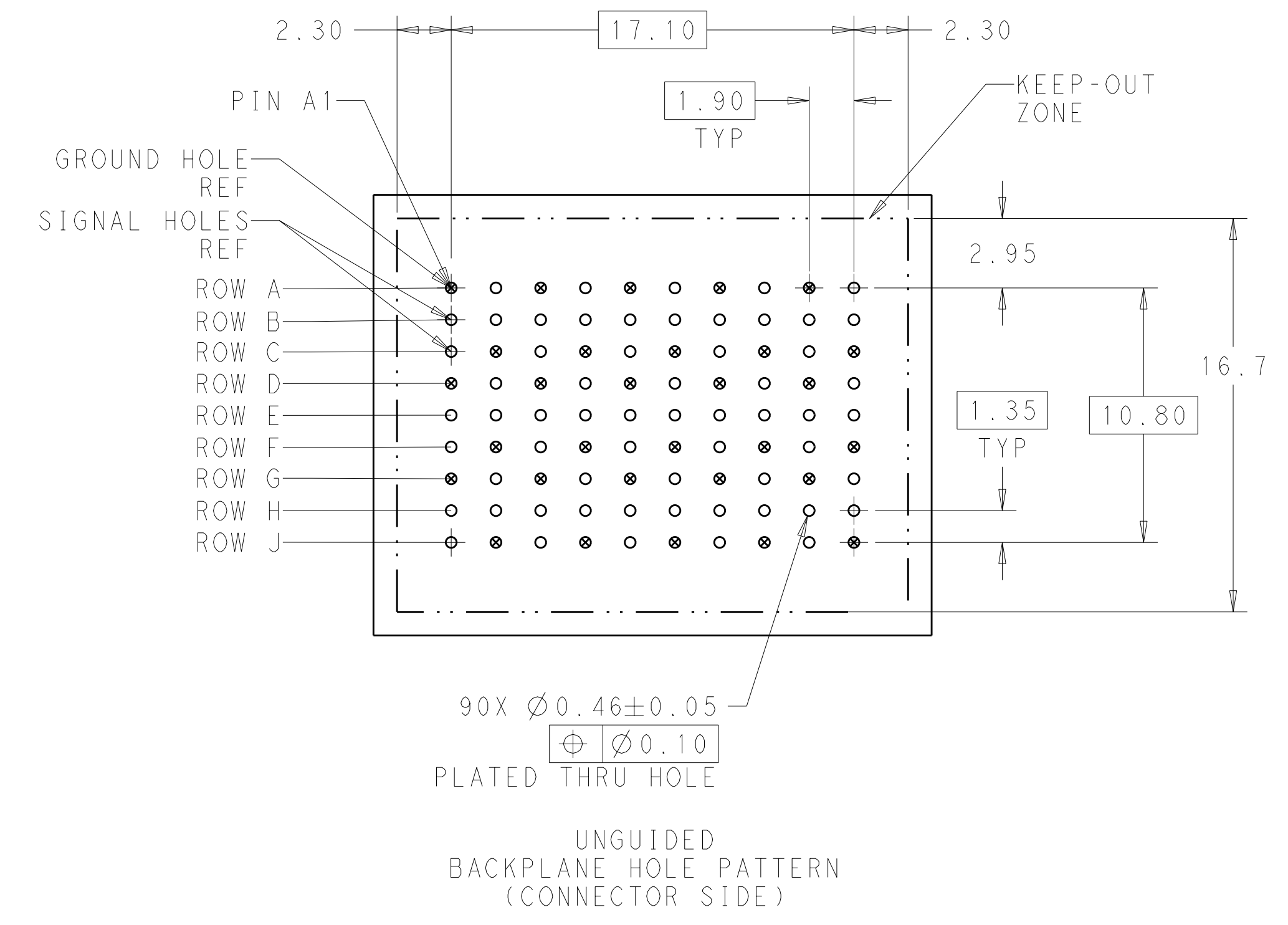


LOC		DIST		REVISIONS			
AD	00	P	LTB	DESCRIPTION	DATE	DWN	APVD
		C		REVISED PER ECO-11-025276	22DEC11	KH	DY



- 1 MATERIAL:
HOUSING: LCP, GLASS FILLED, UL94V-0.
TERMINALS: HIGH PERFORMANCE COPPER ALLOY.
- 2 FINISH:
30µ" MIN GOLD IN CONTACT AREA. SELECTIVE TIN
ON PCB TAILS, NICKEL OVERALL.
- 3 FINISH:
30µ" MIN GOLD IN CONTACT AREA. SELECTIVE TIN-LEAD
ON PCB TAILS, NICKEL OVERALL.



THIS DRAWING IS A CONTROLLED DOCUMENT.		DWN J. K. SHOBER 22DEC11	TE Connectivity
DIMENSIONS: mm		CHK J. EBY 22DEC11	
TOLERANCES UNLESS OTHERWISE SPECIFIED:		APVD J. EBY 22DEC11	NAME: IMPACT, 3 PAIR, 10 COLUMN, HEADER UNGUIDED, DOUBLE END WALL SIGNAL MODULE, 0.46 PTH
0 PLC ± 1 PLC ±0.25 2 PLC ±0.13 3 PLC ± 4 PLC ± ANGLES ±		PRODUCT SPEC	
MATERIAL		APPLICATION SPEC	RESTRICTED TO
FINISH		WEIGHT	SIZE CAGE CODE DRAWING NO. A100779C=2007786
CUSTOMER DRAWING		SCALE 6:1	SHEET 1 OF 2 REV C

THIS DRAWING IS UNPUBLISHED. RELEASED FOR PUBLICATION 2011
 © COPYRIGHT 2011 ALL RIGHTS RESERVED.

LOC	DIST	REVISIONS				
AD	00	P	LTG	DATE	DWN	APVD
		-	-	SEE SHEET 1	-	-

	5.5	2007786-6
	4.9	2007786-5
	4.5	2007786-4
	5.5	2007786-3
	4.9	2007786-2
	4.5	2007786-1
FINISH	DIM M	PART NUMBER

REFER TO WWW.TE.COM
FOR PRODUCT AVAILABILITY

THIS DRAWING IS A CONTROLLED DOCUMENT.		DWN J. K. SHOBER 22DECT1		TE Connectivity
DIMENSIONS: mm		CHK J. EABY 22DECT1		NAME IMPACT, 3 PAIR, 10 COLUMN, HEADER UNGUIDED, DOUBLE END WALL SIGNAL MODULE, 0.46 PTH
TOLERANCES UNLESS OTHERWISE SPECIFIED: 9 PLC ± 7 PLC ±0.25 5 PLC ±0.13 4 PLC ± ANGLES ± FINISH ±		APVD J. EABY 22DECT1	PRODUCT SPEC	RESTRICTED TO
MATERIAL		APPLICATION SPEC	SIZE CAGE CODE DRAWING NO A100779C=2007786	SCALE 5:1 SHEET 2 OF 2 REV C
		WEIGHT	CUSTOMER DRAWING	