

# Model 3400-GATE

Electronic LCD Counter for Lift Gate



**The Model 3400-GATE LCD Counter provides a large display with 0.28" [7mm] high characters. Designed for liftgates, it incorporates an internal delay circuit to avoid inaccurate counts.**

The 3400-GATE is designed to be used on liftgates installed on trucks and commercial vehicles of all types. Regular servicing of the tailgate is crucial to ensure they are working to optimum levels and do not break down. The 3400-GATE incorporates a delay circuit, instructing the counter to count only if the activation switch is held ON for more than 5 seconds, which equates to approximately 2 feet of travel. If the activation switch is pulsed ON and OFF rapidly, the counter will ignore that signal and no count will occur.

## Key Features

- Totally sealed from moisture and dirt
- 5 second delay for count
- Always on display
- Compatible with 12V and 24V vehicles
- Logic LOW <1VDC. Logic HIGH 4-30VDC
- Count on a High to Low transition

## Options

- Optional Remote Reset
- Custom Brackets by request

## Applications

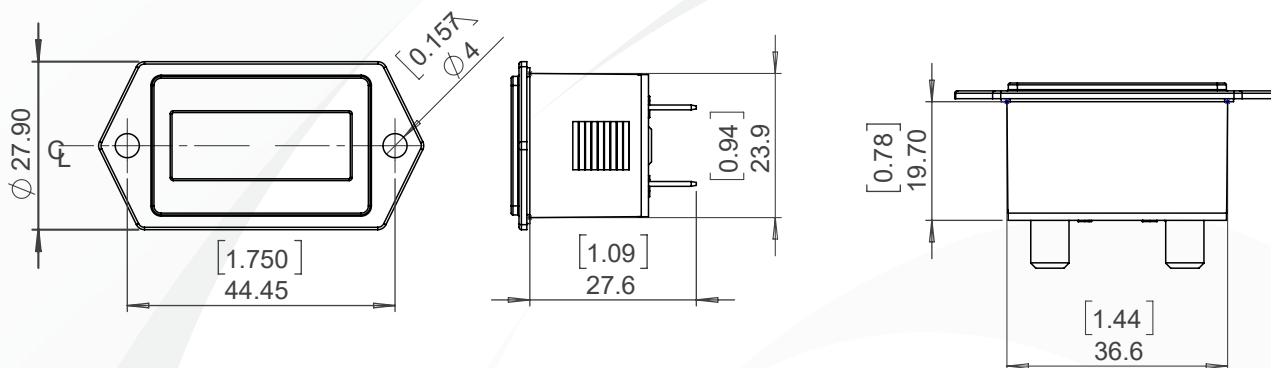


Suitable for all types of liftgate

## Specifications

<b>Display</b>	LCD with large 0.28" [7mm] high figures black on light background	<b>Environmental</b>	
<b>Reset</b>	Remote and non-reset.	<b>Operating Temp</b>	-10°C to +60°C [14°F to +140°F]
<b>Accuracy</b>	100% [provided signal meets stated parameters]	<b>Storage Temp</b>	-20°C to +70°C [-4°F to +158°F]
<b>Displays</b>	8 digits (99999999)	<b>Humidity</b>	95% RH per SAE J1378
<b>Inputs</b>	4-30VDC	<b>Shock</b>	44 to 55g's per SAE J1378
<b>Power</b>	Self-powered battery life 10+ years	<b>Dielectric</b>	1000VAC 50/60 Hz for 1 minute
<b>Terminations</b>	Standard 0.250" [6.4mm] spades	<b>Compliance</b>	to European WEEE and RoHS Directives
<b>Approvals</b>	CE, SAE, NEMA 4/4X/IP66 compliant	<b>Sealing</b>	Totally sealed
<b>Enclosure</b>	Totally sealed from moisture and dirt. NEMA 4/4X, 12 & IP66 compliant from the front when properly mounted using the optional gasket.	<b>EMC Compliance</b>	EN61326
		<b>Weight</b>	1 oz. [28g]

## Dimensions



## Part Numbers

### Part Number

3400-GATE

3400-XXXX

5003-010

### Description

DC Counter 2-hole case 1/4" spade terminal non-reset

Custom Option

NEMA 4X Gasket two hole mount



#### Trumeter (The Americas)

6601 Lyons Rd, Suite H-7  
Coconut Creek, Florida  
FL 33073,  
USA  
Tel: +1 954 725 6699  
Email: [sales.usa@trumeter.com](mailto:sales.usa@trumeter.com)

#### Trumeter (Europe)

Pilot Mill  
Alfred Street  
Bury,  
BL9 9EF  
Tel: +44 161 674 0960  
Email: [sales.uk@trumeter.com](mailto:sales.uk@trumeter.com)

#### Innovative Design Technologies Sdn. Bhd

Lot 5881, Lorong Iks Bukit Minyak 1  
Taman Perindustrian Iks, 14000 Bukit Tengah  
Penang, Malaysia  
Web: [www.idtworld.com](http://www.idtworld.com)  
Tel: + 604 5015700  
Email: [sales.my@idtworld.com](mailto:sales.my@idtworld.com)