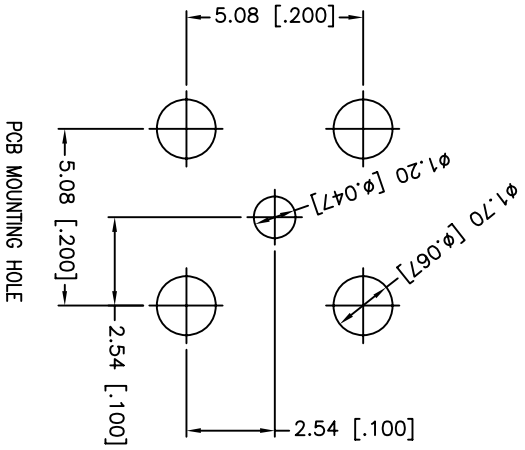
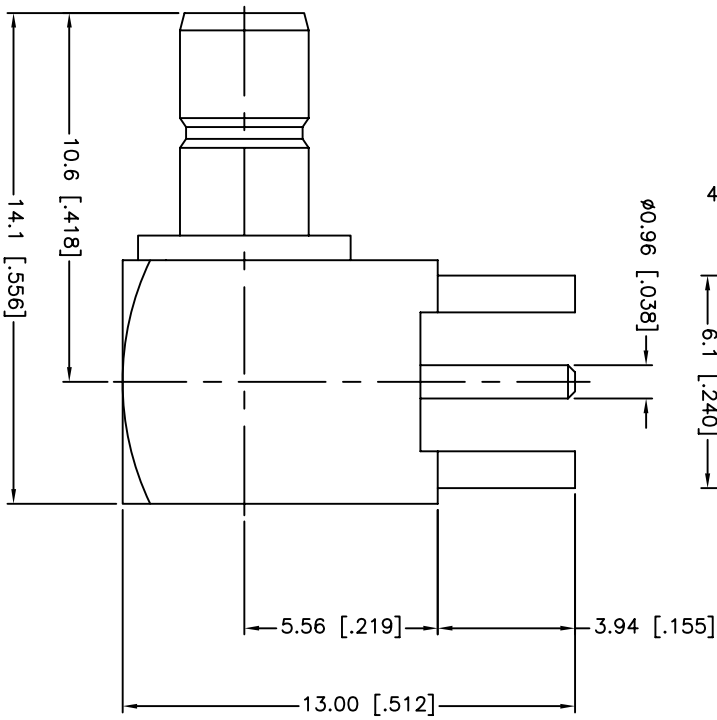
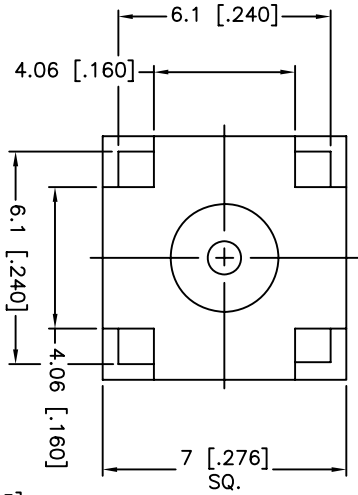


REV.	DATE	ECR NO.	DESCRIPTION
NC	04/15/10	XXXXXX	INITIAL RELEASE



QTY	FINISH	MATERIAL	DESCRIPTION
1	NICKEL	BRASS	HOUSING
1	NICKEL	BRASS	BODY
1	NATURAL	PTFE	INSULATOR
1	GOLD	BRASS	CONTACT PIN
1	NATURAL	PTFE	INSULATOR

UNLESS OTHERWISE SPECIFIED DIMENSIONS ARE IN INCHES AND FOR CUSTOMER REFERENCE ONLY.
 UNLESS OTHERWISE SPECIFIED TOLERANCES FOR MILLIMETERS ARE:
 0.5 - 8mm ± 0.20mm
 8 - 30mm ± 0.40mm
 30 - 120mm ± 0.50mm
 UNLESS OTHERWISE SPECIFIED TOLERANCES FOR INCHES ARE:
 .020 - .315 = ± 0.007"
 .315 - 1.180 = ± 0.015"
 1.180 - 4.724 = ± 0.020"

APPROVALS	DATE
DRAWN C. WANG	04/15/10
CHECKED	
ISSUED	
SHEET 1 OF 1	

Amphenol Connex

Part Description: SMB R/A P.C. MOUNT JACK

Part No. 142144

DWG. NO. 142144.DWG

REV. NC

SIZE A

SCALE NA

CAD FILE C:/CONNEX/142144.DWG

DO NOT SCALE DRAWING