

6

5

4

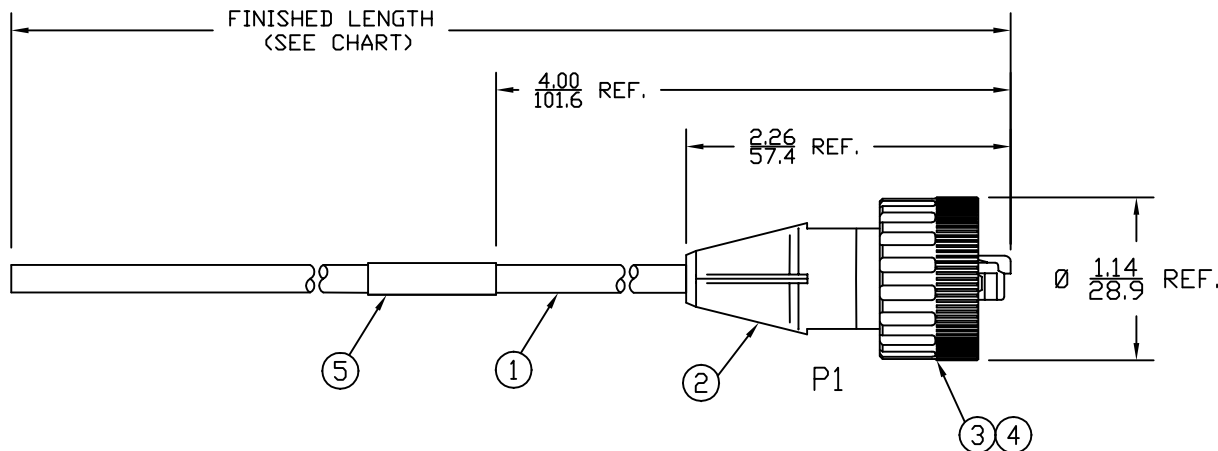
3

2

1

MATERIAL NUMBER	ENGINEERING NO.	LENGTH ± TOLERANCE
1300500408	ENS3105M010	3' 3" +2.19"/-0" [1M +55.6/-0 mm]
1300500502	ENS3105M050	16' 4" +6.50"/-0" [5M +165.1/-0 mm]

AUX VIEW
SCALE 1:4



MALE - FACE VIEW

P1	
WHITE/DRG	1
ORANGE	2
WHITE/GRN	3
BLUE	4
WHITE/BLUE	5
GREEN	6
WHITE/BROWN	7
BROWN	8
DRAIN	SHLD

WIRING DIAGRAM

NOTES:

- 1) MATERIAL: SEE TABLE
- 2) FINISHES: SEE TABLE
- 3) CABLE: #24/8 SHIELDED TWISTED PAIR, PUR
- 4) ELECTRICAL DATA:
ACCORDING TO CAT5e ETHERNET STANDARD
MAX. VOLTAGE: 30V
MAX. CURRENT 1.5A
- 5) ENVIRONMENTAL:
PROTECTION IP67
TEMPERATURE RANGE: -20°C TO +75°C
- 6) WRAP LABEL IS MARKED WITH P/N & DATE CODE.
- 7) ASSEMBLY IS RoHS COMPLIANT.

ITEM	QTY.	DESCRIPTION	MATERIAL	FINISH
5	1	LABEL	PLASTIC FILM	BLACK/YELLOW
4	1	RJ45 PLUG	POLYCARBONATE	CLEAR
3	1	COUPLING NUT	ASA	BLACK
2	1	OVERMOLD	PUR	BLACK
1	1	ETHERNET CABLE-CAT5E	PUR JACKET	BLACK

SD RELEASE EC NO: WNA2010-0016 7/23/09 DRWN: VOU CHKD: BWOODMAN APPR: JFMURPHY 2009/08/10	QUALITY SYMBOLS ▽=0 ▽=0	GENERAL TOLERANCES (UNLESS SPECIFIED)		DIMENSION STYLE IN/MM		SCALE 3:4	DESIGN UNITS INCH	THIRD ANGLE PROJECTION	
		4 PLACES	±----	±----	DRAWN BY VOU	DATE 2009/07/15	TITLE INDUSTRIAL ETHERNET ASSY 8P MALE 568B WIRING #24/8 SHIELDED CABLE		
		3 PLACES	±----	±.005	CHECKED BY BWOODMAN	DATE 2009/07/31			
		2 PLACES	±----	±.010	APPROVED BY DATE		MOLEX INCORPORATED		
1 PLACE	±----	±.020	ANGULAR ±1/2°		MATERIAL NO. SEE CHART		DOCUMENT NO. SD-130050-008	SHEET NO. 1 OF 1	
DRAFT WHERE APPLICABLE MUST REMAIN WITHIN DIMENSIONS		SIZE A		THIS DRAWING CONTAINS INFORMATION THAT IS PROPRIETARY TO MOLEX INCORPORATED AND SHOULD NOT BE USED WITHOUT WRITTEN PERMISSION					

6

5

4

3

2

1