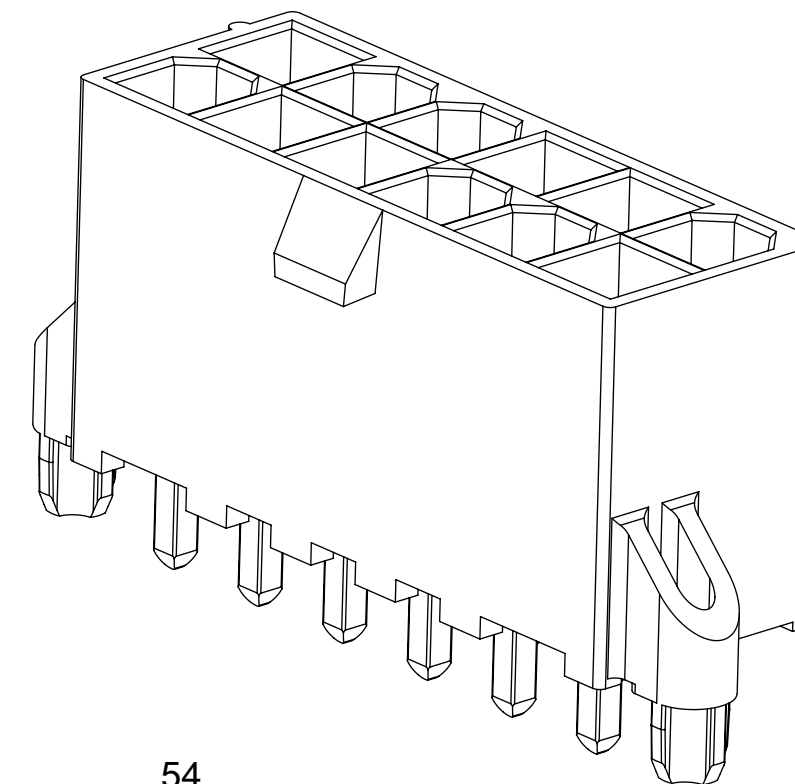
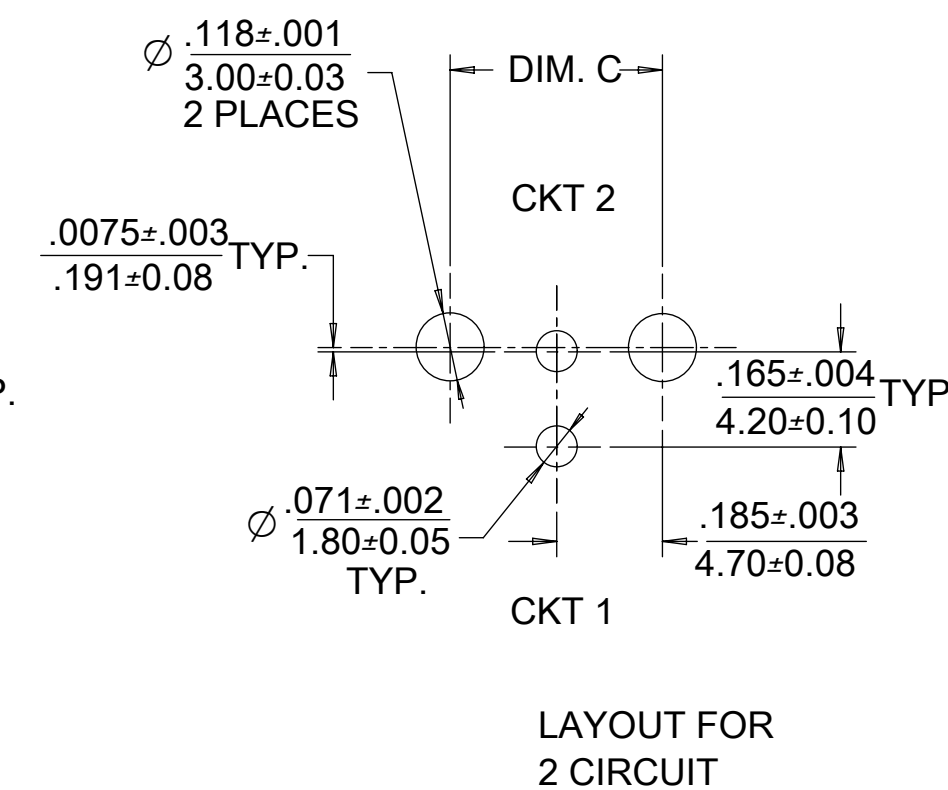
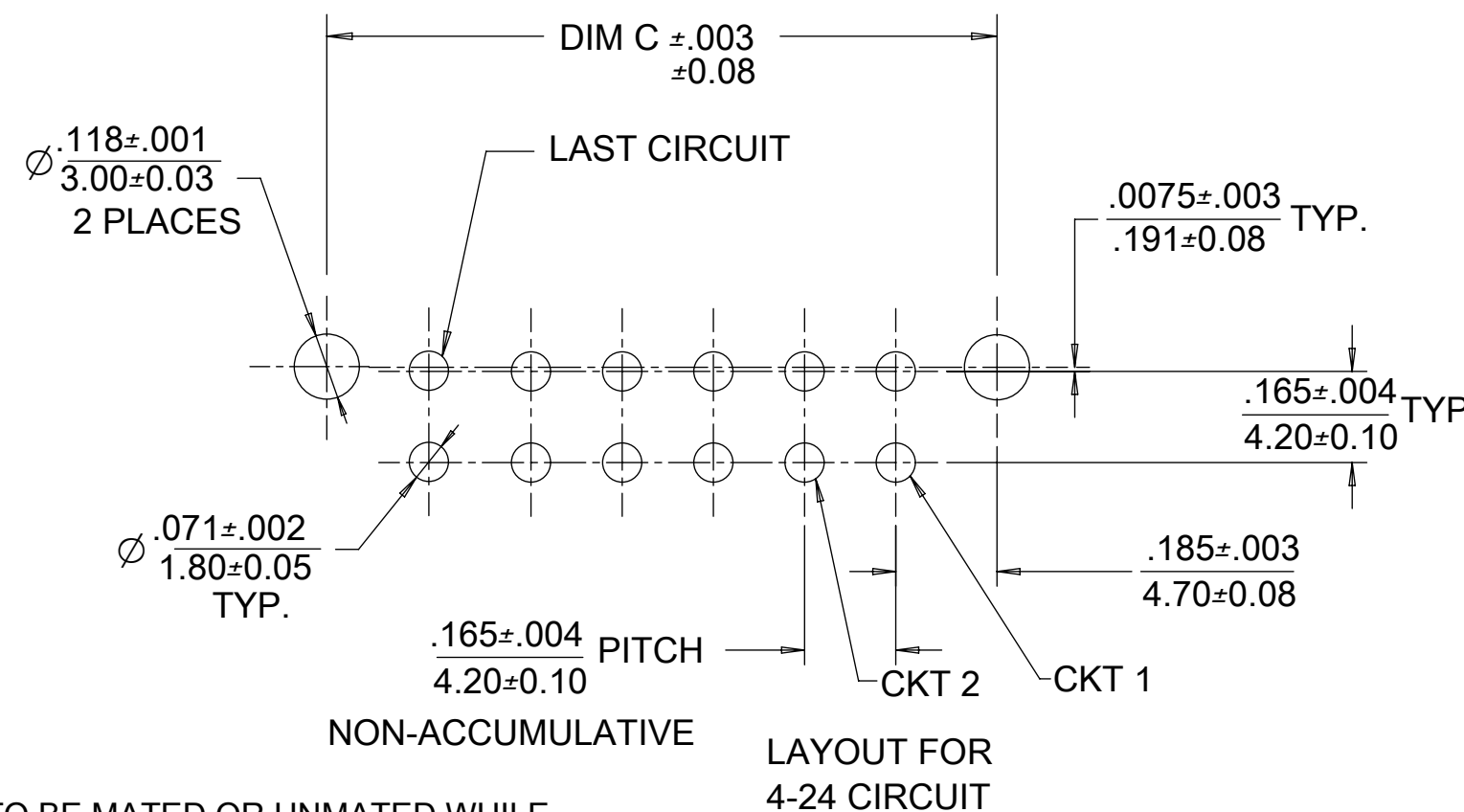
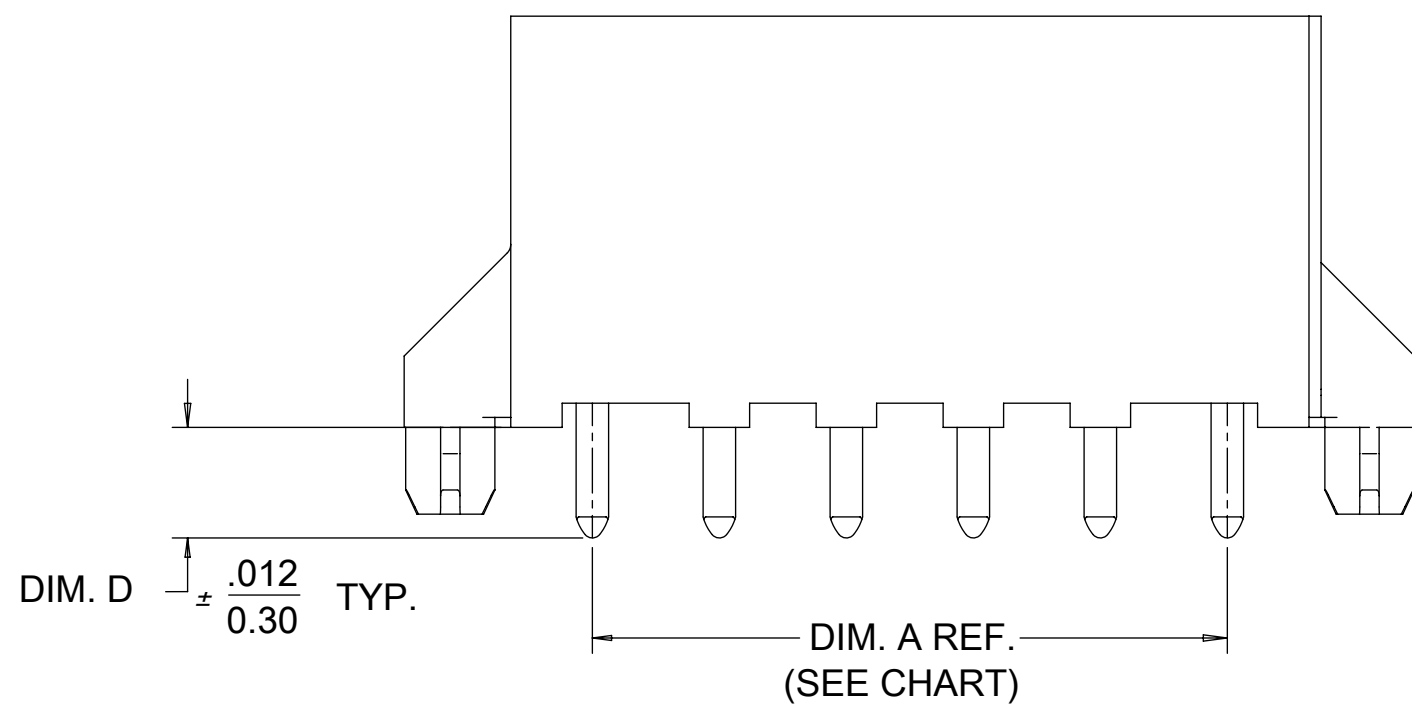
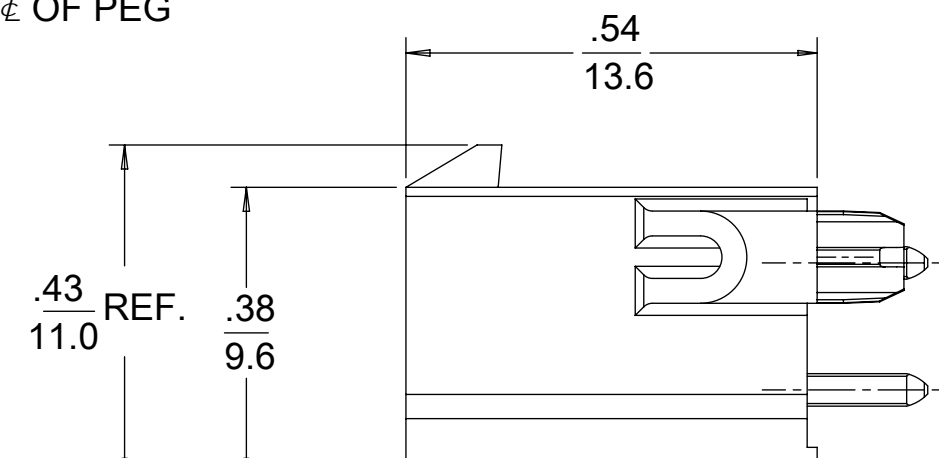
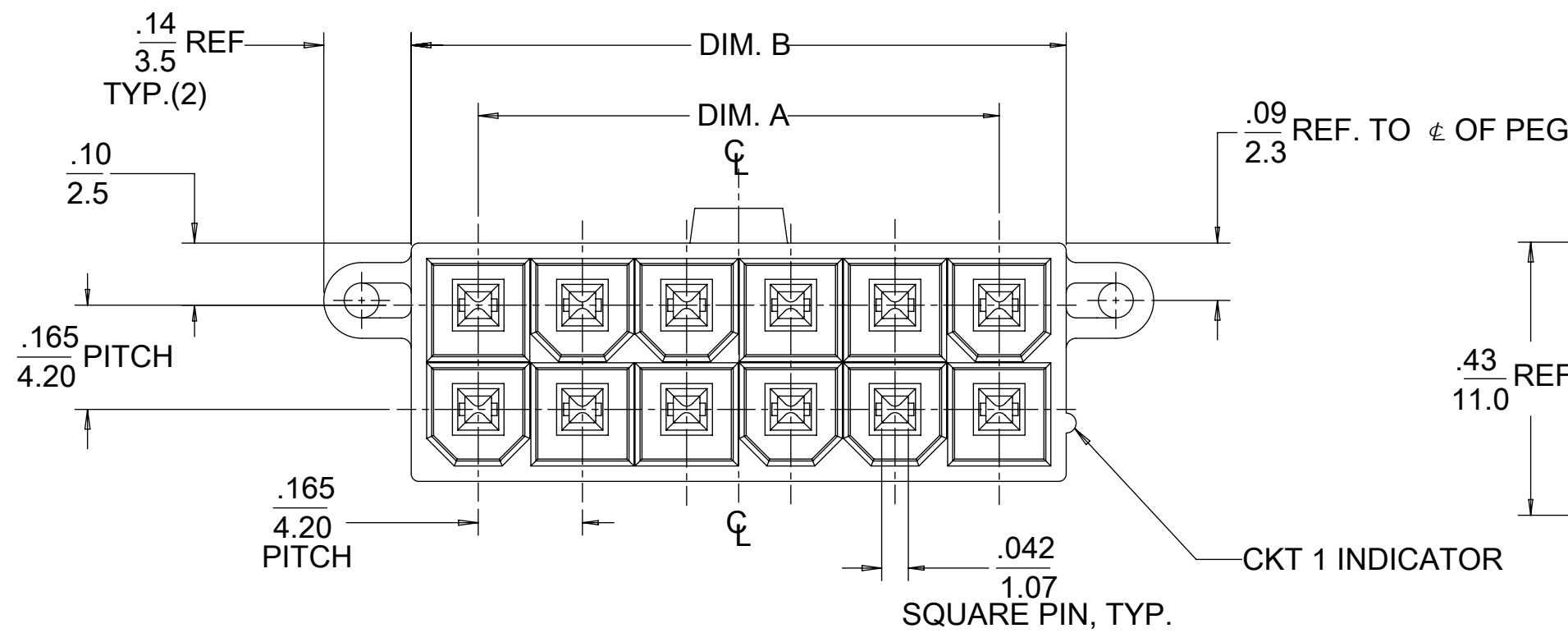


2 CKT SHOWN



ISOMETRIC VIEW  
(12 CKT - SHOWN)

CIRCUIT SIZE	DIM. A	DIM. B	DIM. C
02	NA	0.21/5.4	0.37/9.4
04	0.165/4.20	0.38/9.6	0.535/13.60
06	0.331/8.40	0.54/13.8	0.701/17.80
08	0.496/12.60	0.71/18.0	0.866/22.00
10	0.661/16.80	0.87/22.2	1.031/26.20
12	0.827/21.00	1.04/26.4	1.197/30.40
14	0.992/25.20	1.21/30.6	1.362/34.60
16	1.160/29.40	1.37/34.8	1.528/38.80
18	1.323/33.60	1.54/39.0	1.693/43.00
20	1.488/37.80	1.70/43.2	1.858/47.20
22	1.654/42.00	1.87/47.4	2.024/51.40
24	1.819/46.20	2.03/51.6	2.189/55.60



- NOTES:
- MATERIALS:  
HOUSING - LIQUID CRYSTAL POLYMER (LCP), GLASS FILLED, UL 94, V-0, COLOR: BLACK  
TERMINAL - BRASS ALLOY
  - TERMINAL PLATING:  
TIN= .000100/0.00254 MIN MATTE TIN OVER  
.000050/0.00127 MIN NICKEL OVERALL  
GOLD= .000030/0.00076 MIN. SELECT GOLD AND  
.000100/0.00254 MIN. SELECT MATTE TIN OVER  
.000050/0.00127 MIN NICKEL OVERALL
  - PRODUCT SPECIFICATION: PS-5556-001 OR PS-45750-001
  - PACKAGING SPECIFICATION:  
TRAY PACK PER: PK-46207-001  
TAPE AND REEL WITH KAPTON TAPE PER: PK-46207-002  
TAPE AND REEL WITHOUT KAPTON TAPE PER: 462070003-PK
  - PART MATES WITH MINIFIT JR RECEPTACLE SERIES 5557
  - DISCOLORIZATION IN THE BANDOLIERS CARRIER AREA OF THE PIN IS INHERENT TO THE PLATING PROCESS AND IS DUE TO THE MASKING EFFECT OF THE CARRIER. THIS DISCOLORIZATION IS A NON-FUNCTIONAL AREA OF THE PIN AND WILL NOT AFFECT THE PERFORMANCE OF THE HEADER ASSEMBLY.

- CONNECTORS ARE NOT TO BE MATED OR UNMATED WHILE CIRCUITS ARE LIVE.
- PARTS ARE NOT DESIGNED FOR CURRENT SHARING.
- THIS PART CONFORMS TO CLASS B REQUIREMENTS OF COSMETIC SPECIFICATION PS-45499-002.
- TEXT ON PART IS FOR REFERENCE ONLY. TEXT AND TEXT LOCATION MAY VARY DEPENDING ON PART NUMBER AND/OR TOOL.
- KAPTON TAPE TO BE APPLIED TO TAPE AND REEL PACKED HEADERS PER PK-46207-002 ONLY. KAPTON TAPE TO BE CENTERED ON PARTS.

RECOMMENDED PCB HOLE LAYOUT COMPONENT SIDE  
(SCALE 3:1)

SYMBOLS		THIS DRAWING CONTAINS INFORMATION THAT IS PROPRIETARY TO MOLEX ELECTRONIC TECHNOLOGIES, LLC AND SHOULD NOT BE USED WITHOUT WRITTEN PERMISSION	
▽ = 0	IN/MM	SCALE	4:1
▽ = 0	GENERAL TOLERANCES (UNLESS SPECIFIED)		CURRENT REV DESC: REMOVED NOT TOOLED MARKS FOR 24 CKT
▽ = 0		MM	INCH
▽ = 0	4 PLACES ±	±	±
▽ = 0	3 PLACES ±	±	± 0.005
▽ = 0	2 PLACES ±	0.13	± 0.01
▽ = 0	1 PLACE ±	0.25	±
▽ = 0	0 PLACES ±	±	±
▽ = 0	ANGULAR TOL	± 0.5 °	
▽ = 0	DRAFT WHERE APPLICABLE MUST REMAIN WITHIN DIMENSIONS	THIRD ANGLE PROJECTION	DRAWING SERIES
		C-SIZE	46207
		EC NO: 629593	DRWN: SCV 2019/12/18
		CHK'D: DSTEIER	2019/12/30
		APPR: FSMITH	2020/01/03
		INITIAL REVISION:	
		DRWN: DROSCA	08/07/2006
		APPR: BWIRKUS	08/07/2006
		DOCUMENT NUMBER	DOC TYPE DOC PART REVISION
		SD-46207-001	PSD 000 D13
		MATERIAL NUMBER	CUSTOMER
		SEE CHART	GENERAL MARKET
		SHEET NUMBER	1 OF 2

GOLD PLATING							
CIRCUIT SIZE	TAPE & REEL PACK W/ KAPTON TAPE MAT'L NUMBER $\Delta$ 11	TRAY PACKED MATERIAL NUMBER	DIM. D	PCB THICKNESS	TAPE & REEL PACK WITHOUT KAPTON TAPE - MAT'L NO.		
02	462077002	462075002	0.144/3.66	0.062	462077032		
04	462077004	462075004	0.144/3.66	0.062	462077034		
06	462077006	462075006	0.144/3.66	0.062	462077036		
08	462077008	462075008	0.144/3.66	0.062	462077038		
10	462077010	462075010	0.144/3.66	0.062	462077040		
12	462077012	462075012	0.144/3.66	0.062	462077042		
14	462077014	* 462075014	* 0.144/3.66	* 0.062	462077044	*	*
16	462077016	* 462075016	* 0.144/3.66	* 0.062	462077046	*	*
18	462077018	* 462075018	* 0.144/3.66	* 0.062	462077048	*	*
20	462077020	* 462075020	* 0.144/3.66	* 0.062	462077050	*	*
22	462077022	* 462075022	* 0.144/3.66	* 0.062	462077052	*	*
24	462077024	462075024	0.144/3.66	0.062	462077054		

TIN PLATING							
CIRCUIT SIZE	TAPE & REEL PACK W/ KAPTON TAPE MAT'L NUMBER $\Delta$ 11	TRAY PACKED MATERIAL NUMBER	DIM. D	PCB THICKNESS	TAPE & REEL PACK WITHOUT KAPTON TAPE - MAT'L NO.		
02	462073002	462070002	0.144/3.66	0.062	462073032		
04	462073004	462070004	0.144/3.66	0.062	462073034		
06	462073006	462070006	0.144/3.66	0.062	462073036		
08	462073008	462070008	0.144/3.66	0.062	462073038		
10	462073010	462070010	0.144/3.66	0.062	462073040		
12	462073012	462070012	0.144/3.66	0.062	462073042		
14	462073014	* 462070014	* 0.144/3.66	* 0.062	462073044	*	*
16	462073016	* 462070016	* 0.144/3.66	* 0.062	462073046	*	*
18	462073018	* 462070018	* 0.144/3.66	* 0.062	462073048	*	*
20	462073020	* 462070020	* 0.144/3.66	* 0.062	462073050	*	*
22	462073022	* 462070022	* 0.144/3.66	* 0.062	462073052	*	*
24	462073024	462070024	0.144/3.66	0.062	462073054		

02		462075102	0.176/4.46	0.093			
04		462075104	0.176/4.46	0.093			
06		462075106	0.176/4.46	0.093			
08		462075108	0.176/4.46	0.093			
10		462075110	0.176/4.46	0.093			
12		462075112	0.176/4.46	0.093			
14		462075114	* 0.176/4.46	* 0.093			
16		462075116	* 0.176/4.46	* 0.093			
18		462075118	* 0.176/4.46	* 0.093			
20		462075120	* 0.176/4.46	* 0.093			
22		462075122	* 0.176/4.46	* 0.093			
24		462075124	0.176/4.46	0.093			

\* DESIGNATES PART NOT RELEASED. CONTACT FACTORY FOR AVAILABILITY.

02		462070102	0.176/4.46	0.093			
04		462070104	0.176/4.46	0.093			
06		462070106	0.176/4.46	0.093			
08		462070108	0.176/4.46	0.093			
10		462070110	0.176/4.46	0.093			
12		462070112	0.176/4.46	0.093			
14		462070114	* 0.176/4.46	* 0.093			
16		462070116	* 0.176/4.46	* 0.093			
18		462070118	* 0.176/4.46	* 0.093			
20		462070120	* 0.176/4.46	* 0.093			
22		462070122	* 0.176/4.46	* 0.093			
24		462070124	0.176/4.46	0.093			

02		462075202	0.207/5.26	0.125			
04		462075204	0.207/5.26	0.125			
06		462075206	0.207/5.26	0.125			
08		462075208	0.207/5.26	0.125			
10		462075210	0.207/5.26	0.125			
12		462075212	0.207/5.26	0.125			
14		462075214	* 0.207/5.26	* 0.125			
16		462075216	* 0.207/5.26	* 0.125			
18		462075218	* 0.207/5.26	* 0.125			
20		462075220	* 0.207/5.26	* 0.125			
22		462075222	* 0.207/5.26	* 0.125			
24		462075224	0.207/5.26	0.125			

\* DESIGNATES PART NOT RELEASED. CONTACT FACTORY FOR AVAILABILITY.

02		462070202	0.207/5.26	0.125			
04		462070204	0.207/5.26	0.125			
06		462070206	0.207/5.26	0.125			
08		462070208	0.207/5.26	0.125			
10		462070210	0.207/5.26	0.125			
12		462070212	0.207/5.26	0.125			
14		462070214	* 0.207/5.26	* 0.125			
16		462070216	* 0.207/5.26	* 0.125			
18		462070218	* 0.207/5.26	* 0.125			
20		462070220	* 0.207/5.26	* 0.125			
22		462070222	* 0.207/5.26	* 0.125			
24		462070224	0.207/5.26	0.125			

\* DESIGNATES PART NOT RELEASED. CONTACT FACTORY FOR AVAILABILITY.

<p>THIS DRAWING CONTAINS INFORMATION THAT IS PROPRIETARY TO MOLEX ELECTRONIC TECHNOLOGIES, LLC AND SHOULD NOT BE USED WITHOUT WRITTEN PERMISSION</p>																													
<p>SYMBOLS</p> <p><math>\Delta</math> = 0 IN/MM</p> <p><math>\nabla</math> = 0</p> <p><math>\nabla</math> = 0</p> <p><math>\nabla</math> = 0</p> <p><math>\nabla</math> = 0</p> <p><math>\nabla</math> = 0</p> <p><math>\nabla</math> = 0</p> <p><math>\nabla</math> = 0</p> <p><math>\nabla</math> = 0</p> <p><math>\nabla</math> = 0</p> <p><math>\nabla</math> = 0</p>		<p>SCALE</p> <p>4:1</p>		<p>CURRENT REV DESC: REMOVED NOT TOOLED MARKS FOR 24 CKT</p>		<p><b>molex</b></p>				<p>MINI-FIT RTC HI-TEMP VERTICAL HEADER IN LCP, W/PCB PEGS</p>																			
<p>GENERAL TOLERANCES (UNLESS SPECIFIED)</p> <table border="1"> <tr><td></td><td>MM</td><td>INCH</td></tr> <tr><td>4 PLACES</td><td>±</td><td>±</td></tr> <tr><td>3 PLACES</td><td>±</td><td>± 0.005</td></tr> <tr><td>2 PLACES</td><td>± 0.13</td><td>± 0.01</td></tr> <tr><td>1 PLACE</td><td>± 0.25</td><td>±</td></tr> <tr><td>0 PLACES</td><td>±</td><td>±</td></tr> </table>			MM	INCH	4 PLACES	±	±	3 PLACES	±	± 0.005	2 PLACES	± 0.13	± 0.01	1 PLACE	± 0.25	±	0 PLACES	±	±	<p>EC NO: 629593</p> <p>DRWN: SCV 2019/12/18</p> <p>CHK'D: DSTEIER 2019/12/30</p> <p>APPR: FSMITH 2020/01/03</p>		<p>INITIAL REVISION:</p> <p>DRWN: DROSCA 08/07/2006</p> <p>APPR: BWIRKUS 08/07/2006</p>		<p>PRODUCT CUSTOMER DRAWING</p>		<p>DOCUMENT NUMBER</p> <p>SD-46207-001</p>		<p>DOC TYPE DOC PART REVISION</p> <p>PSD 000 D13</p>	
	MM	INCH																											
4 PLACES	±	±																											
3 PLACES	±	± 0.005																											
2 PLACES	± 0.13	± 0.01																											
1 PLACE	± 0.25	±																											
0 PLACES	±	±																											
<p>DRAFT WHERE APPLICABLE MUST REMAIN WITHIN DIMENSIONS</p>		<p>THIRD ANGLE PROJECTION</p>		<p>DRAWING</p> <p>C-SIZE</p>		<p>SERIES</p> <p>46207</p>		<p>MATERIAL NUMBER</p> <p>SEE CHART</p>		<p>CUSTOMER</p> <p>GENERAL MARKET</p>		<p>SHEET NUMBER</p> <p>2 OF 2</p>																	
<p>DOCUMENT STATUS</p> <p>P1</p>		<p>RELEASE DATE</p> <p>2020/01/03 21:22:18</p>																											