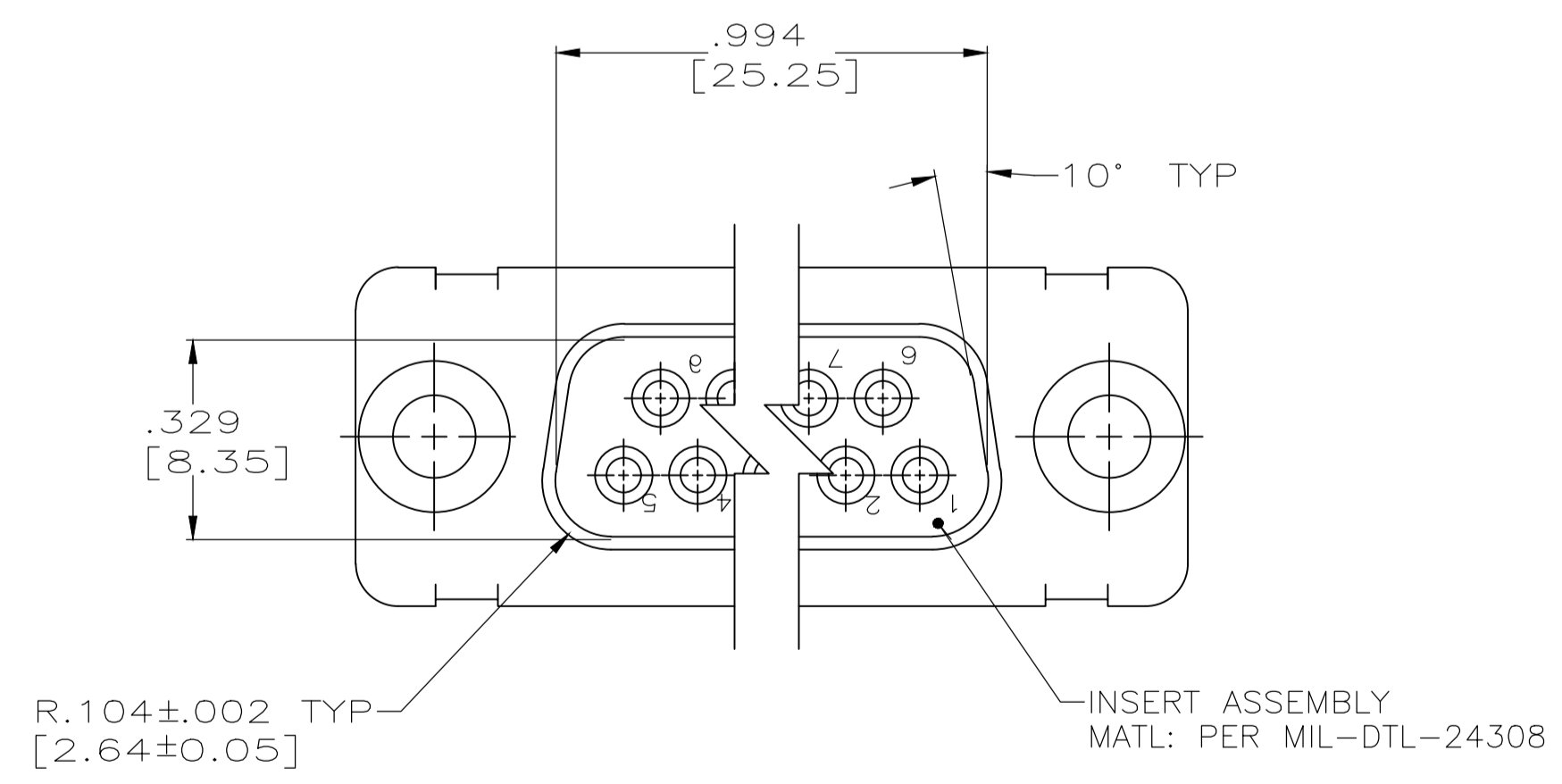
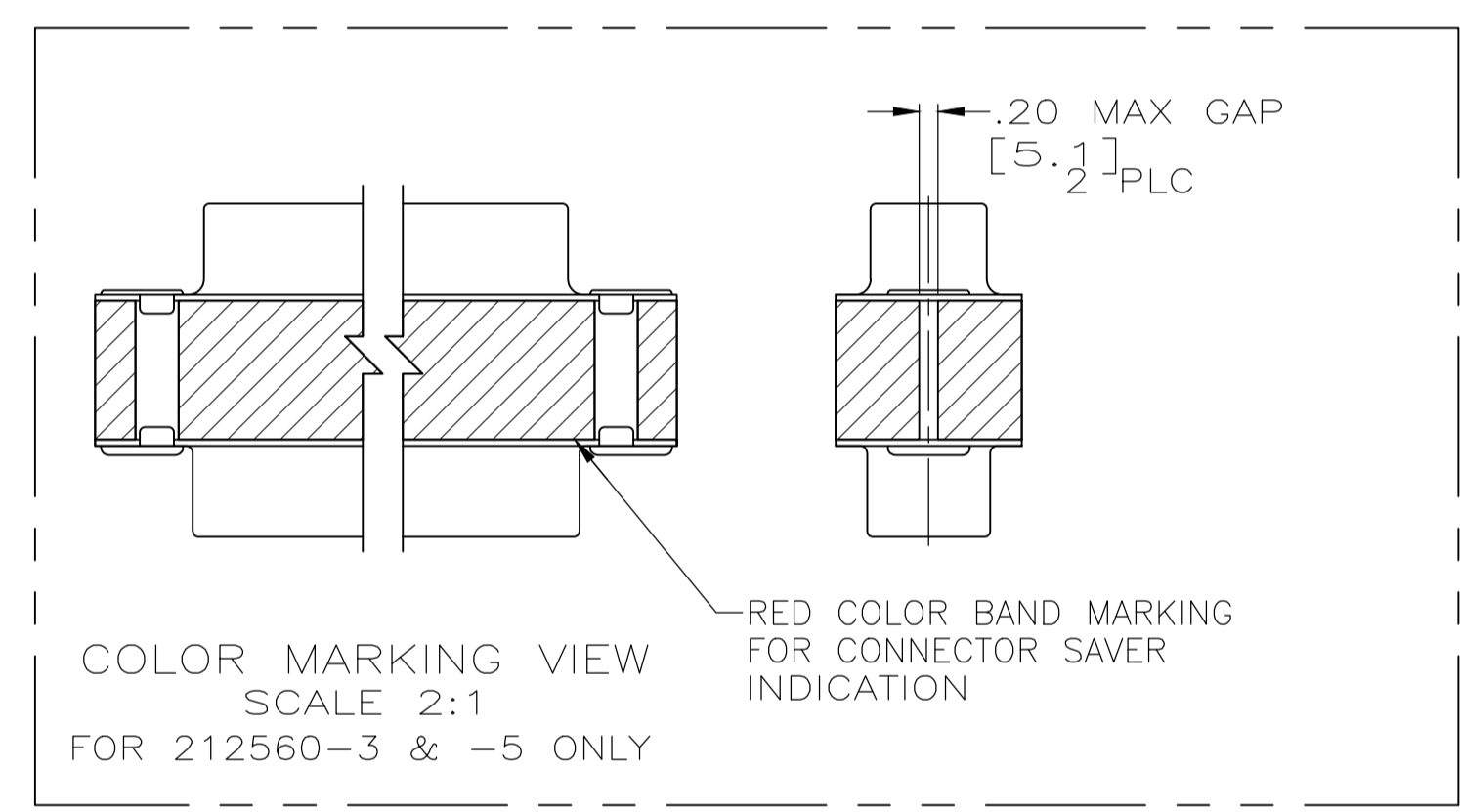
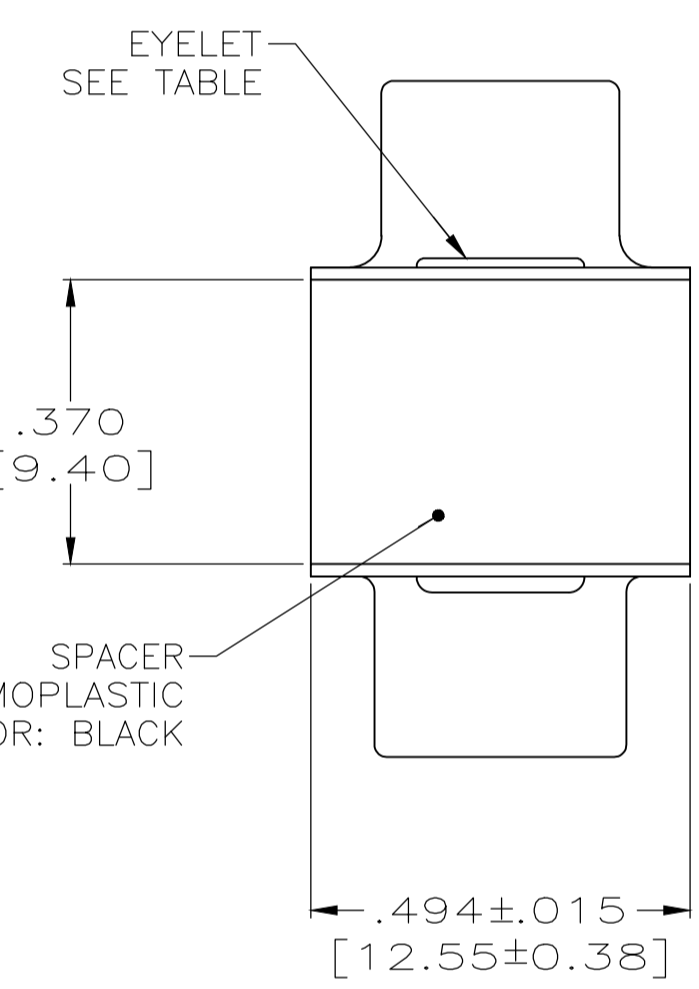
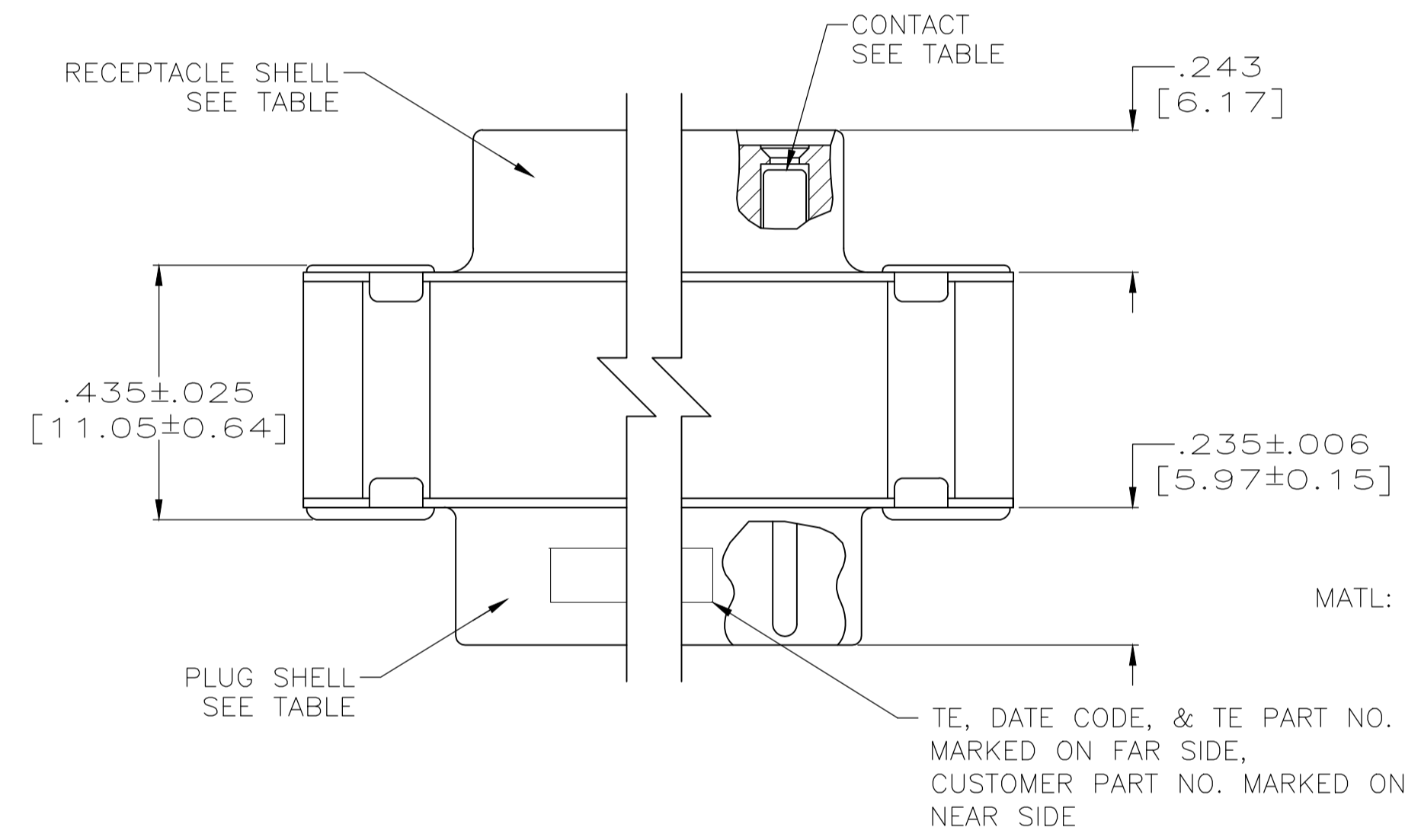
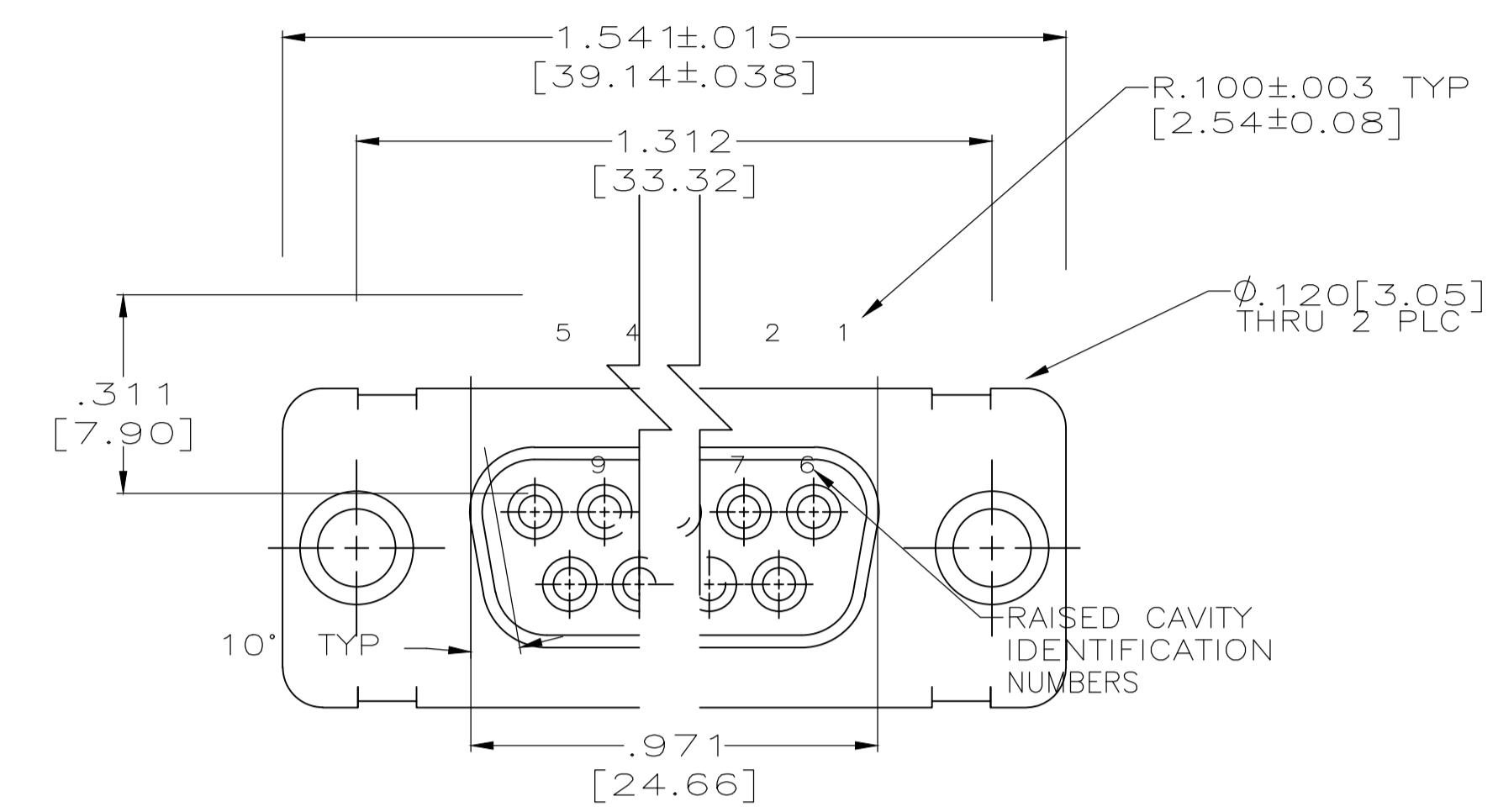


REVISIONS					
P	LTR	DESCRIPTION	DATE	DMN	APVD
V		REV PERECO 19-019228	4-17-20	CT	DM



1. CONTACTS INCLUDED IN ASSEMBLY.
- △ MATL: STEEL, PER ASTM-A-109.
- △ FINISH: CADMIUM PER QQ-P-416.
- △ CONTACT
- BODY MATL: BERYLLIUM COPPER PER ASTM-B-197.
- BODY FINISH: PLATED GOLD, .000050 MIN THK PER MIL-G-45204 OVER NICKEL, .000050 MIN THK PER QQ-N-290.
- HOOD MATL: STAINLESS STEEL PER ASTM-A-167.
- HOOD FINISH: PASSIVATED PER ASTM-A-380.
- △ FINISH: PLATED ZINC .00020 MIN THK PER ASTM-B-633. YELLOW CHROMATE FINISH.
- △ MATL: BRASS PER ASTM-B-36.
- △ FINISH: PLATED GOLD, .000050 MIN THK PER MIL-G-45204 OVER COPPER, .000100 MIN THK PER MIL-C-14550.
- △ CONTACT
- BODY MATL: BERYLLIUM COPPER PER ASTM-B-197.
- BODY AND HOOD FINISH: PLATED GOLD, .000050 MIN THK PER MIL-G-45204 OVER COPPER, .000100 MIN THK PER MIL-C-14550.
- HOOD MATL: BRASS PER ASTM-B-36.
- △ FINISH: PLATED ZINC PER ASTM-B-633 .000200 MIN THK WITH SUPPLEMENTARY CHROMATE (Cr2+).

△△	△△	△	-	5-212560-1
△△	△△	△	PT2-111-8	1-212560-2
△△	△△	△	4U884 SOCN R10002677-0102	212560-5
OBSOLETE	-	-	-	212560-4
△△	△△	△	(1J02-102)	212560-3
△△	△△	△	-	212560-2
△△	△△	△	-	212560-1
EYELET	SHELLS	CONTACT	CUSTOMER P/N	PART NO.

THIS DRAWING IS A CONTROLLED DOCUMENT.

DIMENSIONS: INCHES	TOLERANCES UNLESS OTHERWISE SPECIFIED:	0 PLC ± -	1 PLC ± -	2 PLC ± -	3 PLC ± .005 [0.13]	4 PLC ± -	ANGLES ± -
--------------------	--	-----------	-----------	-----------	---------------------	-----------	------------

MATERIAL	FINISH	WEIGHT	0	SIZE	A1	CAGE CODE	00779	DRAWING NO.	212560	RESTRICTED TO	-
----------	--------	--------	---	------	----	-----------	-------	-------------	--------	---------------	---

CUSTOMER DRAWING SCALE 4:1 SHEET 1 OF 1 REV V

TE Connectivity  
 CONNECTOR SAVER, AMPLIMITE 15 POSITION, SIZE 2, SERIES 109