

# Product data sheet

Specifications



## Photoelectric sensors XU, accessory for sensor, reflector, 24 x 21 mm

XUZC24

### Main

|                                       |  |
|---------------------------------------|--|
| Range of product                      | Telemecanique Photoelectric sensors XU |
| Accessory / separate part category    | Sensor accessories                     |
| Accessory / separate part type        | Reflector                              |
| Accessory / separate part destination | Standard reflex photo-electric sensor  |
| Shape of reflector                    | Rectangular                            |
| Sale per indivisible quantity         | 1                                      |

### Complementary

|                     |            |
|---------------------|------------|
| Accessory dimension | 24 x 21 mm |
| Product weight      | 0.01 kg    |

### Packing Units

|                              |         |
|------------------------------|---------|
| Unit Type of Package 1       | PCE     |
| Number of Units in Package 1 | 1       |
| Package 1 Height             | 1.2 cm  |
| Package 1 Width              | 5.5 cm  |
| Package 1 Length             | 5.0 cm  |
| Package 1 Weight             | 8.0 g   |
| Unit Type of Package 2       | S01     |
| Number of Units in Package 2 | 100     |
| Package 2 Height             | 15.0 cm |
| Package 2 Width              | 15.0 cm |
| Package 2 Length             | 40.0 cm |
| Package 2 Weight             | 1.0 kg  |

### Offer Sustainability

|                          |  |
|--------------------------|--|
| Sustainable offer status | Green Premium product                                      |
| REACH Regulation         | <a href="#">REACH Declaration</a>                          |
| EU RoHS Directive        | Pro-active compliance (Product out of EU RoHS legal scope) |

[EU RoHS Declaration](#)

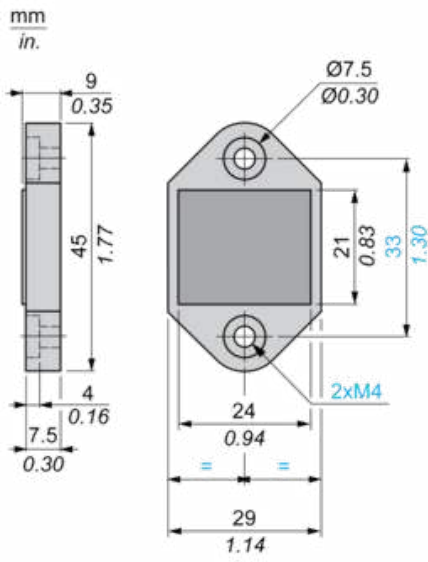
|                                   |   |
|-----------------------------------|---|
| <b>Mercury free</b>               | Yes   |
| <b>RoHS exemption information</b> | <a href="#">Yes</a>   |
| <b>Environmental Disclosure</b>   | <a href="#">Product Environmental Profile</a>   |
| <b>Circularity Profile</b>        | <a href="#">End of Life Information</a>   |
| <b>California proposition 65</b>  | WARNING: This product can expose you to chemicals including: Diisononyl phthalate (DINP), which is known to the State of California to cause cancer, and Di-isodecyl phthalate (DIDP), which is known to the State of California to cause birth defects or other reproductive harm. For more information go to <a href="http://www.P65Warnings.ca.gov">www.P65Warnings.ca.gov</a> |

**Contractual warranty**

|                 |           |
|-----------------|-----------|
| <b>Warranty</b> | 18 months |
|-----------------|-----------|

Dimensions

---



Recommended replacement(s)