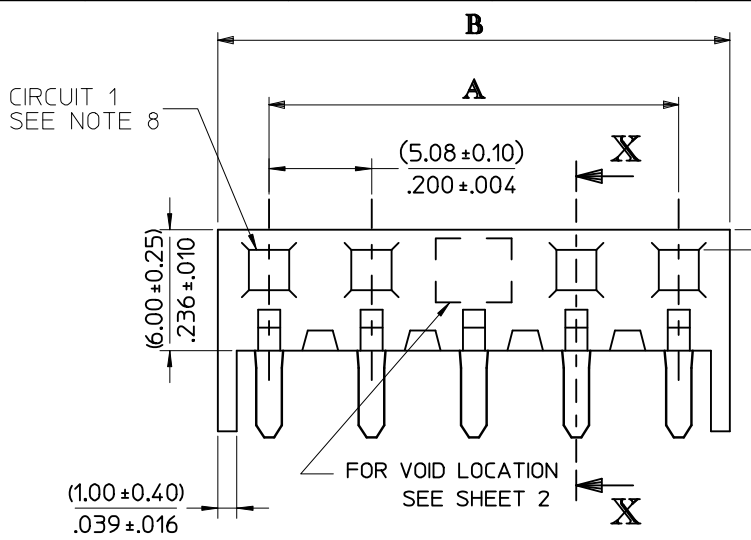
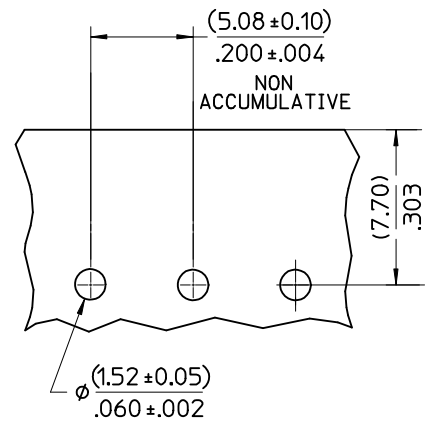
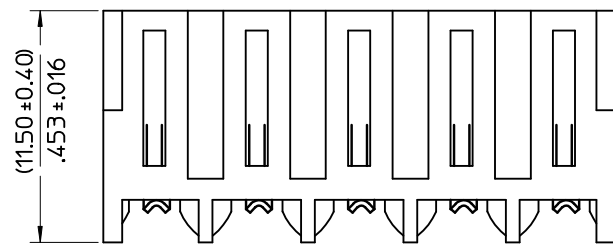


CCT	PART No.	ENG No.	DIM A	DIM B
2	10-10-1021	AE-3002-2A	(5.08 ± 0.10) .200 ± .004	(10.16 ± 0.25) .400 ± .006
3	-1031	-3A	(10.16 ± 0.10) .400 ± .004	(15.24 ± 0.15) .600 ± .008
4	-1041	-4A	(15.24 ± 0.10) .600 ± .004	(20.32 ± 0.15) .800 ± .008
5	-1051	-5A	(20.32 ± 0.10) .800 ± .004	(25.40 ± 0.15) 1.000 ± .008
6	-1061	-6A	(25.40 ± 0.10) 1.000 ± .004	(30.48 ± 0.20) 1.200 ± .008
7	-1071	-7A	(30.48 ± 0.20) 1.200 ± .008	(35.56 ± 0.20) 1.400 ± .008
8	-1081	-8A	(35.56 ± 0.20) 1.400 ± .008	(40.64 ± 0.20) 1.600 ± .008
9	-1091	-9A	(40.64 ± 0.20) 1.600 ± .008	(45.72 ± 0.20) 1.800 ± .008
10	-1101	-10A	(45.72 ± 0.20) 1.800 ± .008	(50.80 ± 0.20) 2.000 ± .008
11	-1111	-11A	(50.80 ± 0.20) 2.000 ± .008	(55.88 ± 0.30) 2.200 ± .012
12	10-10-1121	AE-3002-12A	(55.88 ± 0.25) 2.200 ± .010	(60.96 ± 0.30) 2.400 ± .012

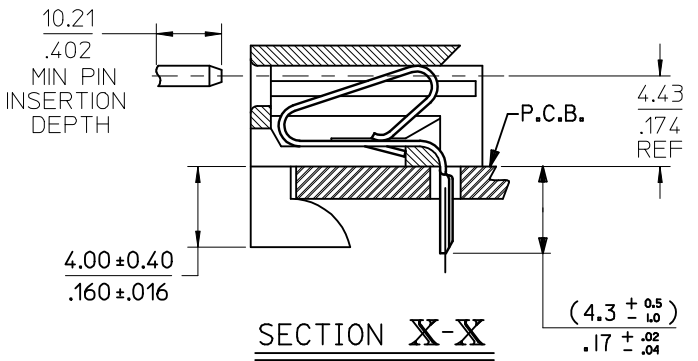


(1.00 ± 0.25)
.039 ± .010

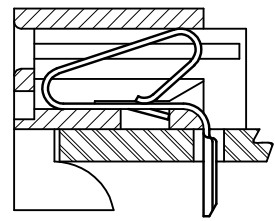
(1.00 ± 0.40)
.039 ± .016



RECOMMENDED P.C.B.HOLE DIMENSIONS
RECOMMENDED P.C.B. THICKNESS: 1.57/.062



SECTION X-X



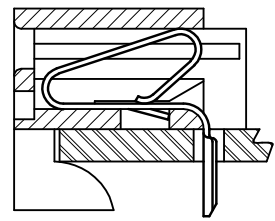
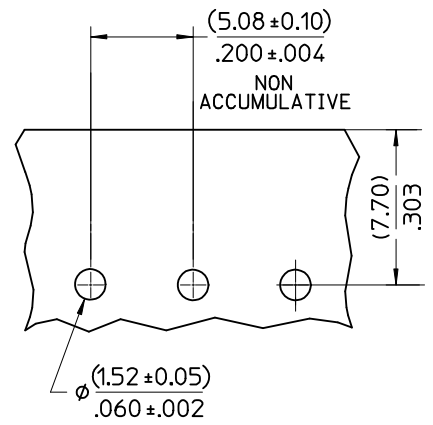
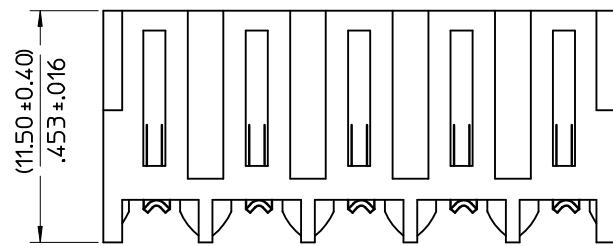
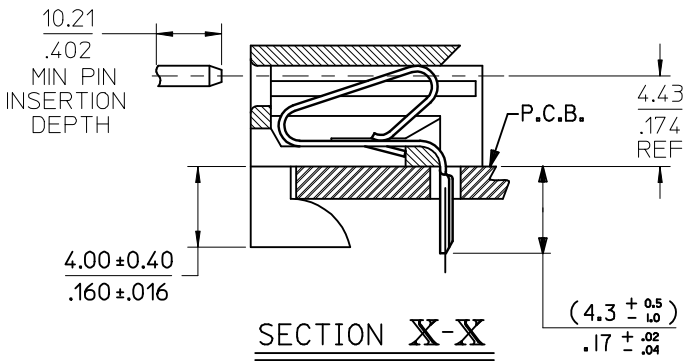
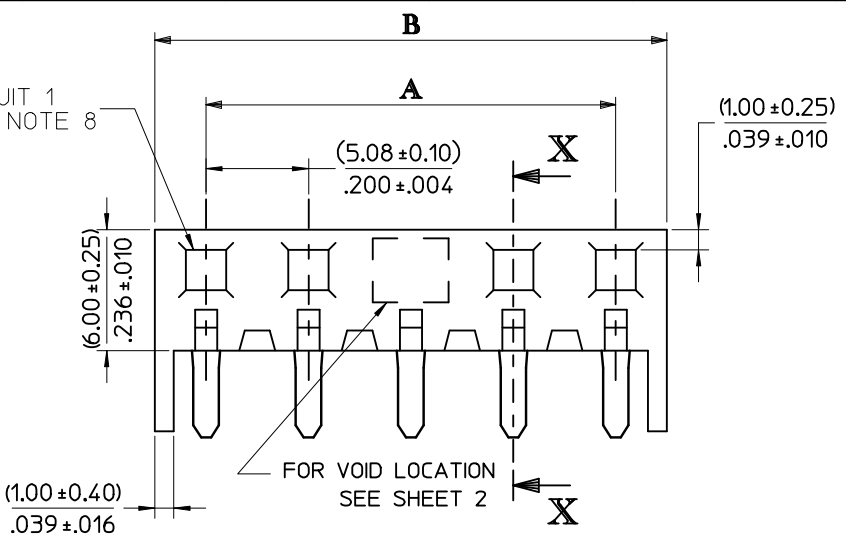
OPTIONAL CORE

- NOTES:
- HOUSING : NYLON, UL94V-2, COLOR: NATURAL
TERMINAL : PHOSPHOR BRONZE
 - FINISH: HOT TIN DIP. (0.00254)/.000100 MIN
 - PRODUCT SPECIFICATION : PS-99020-0087
 - PACKAGING SPECIFICATION : TBD
 - HOUSING SUITABLE FOR (1.14±0.15)/.045±.006 RD OR SQ. PINS
 - HOOKS AVAILABLE ON ENDS ONLY
 - THIS PART CONFORMS TO CLASS B REQUIREMENTS OF COSMETIC SPECIFICATION PS-45499-002
 - CIRCUIT 1 I.D. USED TO DEFINE VOID LOCATION.
CIRCUIT 1 MAY OR MAY NOT LINE UP WITH CIRCUIT 1 OF MATING PART

INSERTION DEPTH	QUALITY SYMBOLS	GENERAL TOLERANCES (UNLESS SPECIFIED)		DIMENSION STYLE		SCALE	DESIGN UNITS	THIRD ANGLE PROJECTION	
		mm	INCH	MM/IN	MM/IN	4:1	METRIC	THIRD ANGLE PROJECTION	
M1	$F_A=0$	4 PLACES	± --- ± ---	MM/IN	DATE	1995/06/15	KONEKTCON AND P.C. TAIL TERMINAL ASSEMBLY (5.08)/.200 PITCH		
	$F_G=0$	3 PLACES	± --- ± ---	DRAWN BY	TITLE				
	$F_P=0$	2 PLACES	± --- ± ---	GCH	1995/06/15				
		1 PLACE	± --- ± ---	CHECKED BY	DATE				
		0 PLACE	± --- ± ---	GMCSWEENEY	2005/08/31				
			APPROVED BY	DATE					
			JDENNEHY	2005/08/31					
			ANGULAR ±---°		MATERIAL NO.				
			DRAFT WHERE APPLICABLE MUST REMAIN WITHIN DIMENSIONS		SEE CHART				
				SIZE	THIS DRAWING CONTAINS INFORMATION THAT IS PROPRIETARY TO MOLEX INCORPORATED AND SHOULD NOT BE USED WITHOUT WRITTEN PERMISSION				
				A3					
							SDAE-3002-NA-*		
									1 OF 2

CCT	PART No.	ENG No.	DIM A	DIM B
2	10-10-1021	AE-3002-2A	(5.08 ± 0.10) .200 ± .004	(10.16 ± 0.25) .400 ± .006
3	-1031	-3A	(10.16 ± 0.10) .400 ± .004	(15.24 ± 0.15) .600 ± .008
4	-1041	-4A	(15.24 ± 0.10) .600 ± .004	(20.32 ± 0.15) .800 ± .008
5	-1051	-5A	(20.32 ± 0.10) .800 ± .004	(25.40 ± 0.15) 1.000 ± .008
6	-1061	-6A	(25.40 ± 0.10) 1.000 ± .004	(30.48 ± 0.20) 1.200 ± .008
7	-1071	-7A	(30.48 ± 0.20) 1.200 ± .008	(35.56 ± 0.20) 1.400 ± .008
8	-1081	-8A	(35.56 ± 0.20) 1.400 ± .008	(40.64 ± 0.20) 1.600 ± .008
9	-1091	-9A	(40.64 ± 0.20) 1.600 ± .008	(45.72 ± 0.20) 1.800 ± .008
10	-1101	-10A	(45.72 ± 0.20) 1.800 ± .008	(50.80 ± 0.20) 2.000 ± .008
11	-1111	-11A	(50.80 ± 0.20) 2.000 ± .008	(55.88 ± 0.20) 2.200 ± .012
12	10-10-1121	AE-3002-12A	(55.88 ± 0.25) 2.200 ± .010	(60.96 ± 0.20) 2.400 ± .012

CIRCUIT 1
SEE NOTE 8



RECOMMENDED P.C.B.HOLE DIMENSIONS
RECOMMENDED P.C.B. THICKNESS: 1.57/.062

- NOTES:
- HOUSING : NYLON, UL94V-2, COLOR: NATURAL
TERMINAL : PHOSPHOR BRONZE
 - FINISH: HOT TIN DIP. (0.00254)/.000100 MIN
 - PRODUCT SPECIFICATION : PS-99020-0087
 - PACKAGING SPECIFICATION : TBD
 - HOUSING SUITABLE FOR (1.14±0.15)/.045±.006 RD OR SQ. PINS
 - HOOKS AVAILABLE ON ENDS ONLY
 - THIS PART CONFORMS TO CLASS B REQUIREMENTS OF COSMETIC SPECIFICATION PS-45499-002
 - CIRCUIT 1 I.D. USED TO DEFINE VOID LOCATION.
CIRCUIT 1 MAY OR MAY NOT LINE UP WITH CIRCUIT 1 OF MATING PART

INSERTION DEPTH	QUALITY SYMBOLS	GENERAL TOLERANCES (UNLESS SPECIFIED)		DIMENSION STYLE		SCALE	DESIGN UNITS	THIRD ANGLE PROJECTION	
		mm	INCH	MM/IN	MM/IN	4:1	METRIC	⊙ □	
M1	$F_v = 0$	4 PLACES	± --- ± ---	DRAWN BY	DATE	1995/06/15	KONEKTCON AND P.C. TAIL TERMINAL ASSEMBLY (5.08)/.200 PITCH		
	$F_c = 0$	3 PLACES	± --- ± ---	CHECKED BY	DATE				
	$F_p = 0$	2 PLACES	± --- ± ---	GMCSWEENEY	2005/08/31				
		1 PLACE	± --- ± ---	APPROVED BY	DATE				
		0 PLACE	± --- ± ---	JDENNEHY	2005/08/31				
		ANGULAR ± --- °		MATERIAL NO.		DOCUMENT NO.		SHEET NO.	
		DRAFT WHERE APPLICABLE MUST REMAIN WITHIN DIMENSIONS		SEE CHART		SDAE-3002-NA-*		1 OF 2	
				THIS DRAWING CONTAINS INFORMATION THAT IS PROPRIETARY TO MOLEX INCORPORATED AND SHOULD NOT BE USED WITHOUT WRITTEN PERMISSION					