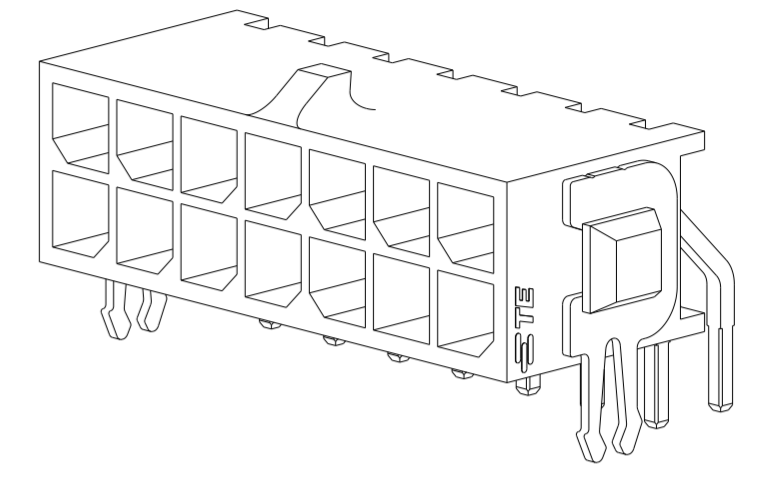
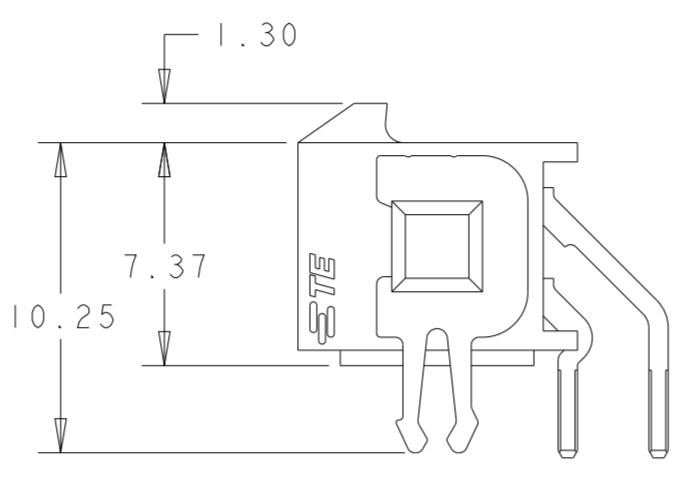
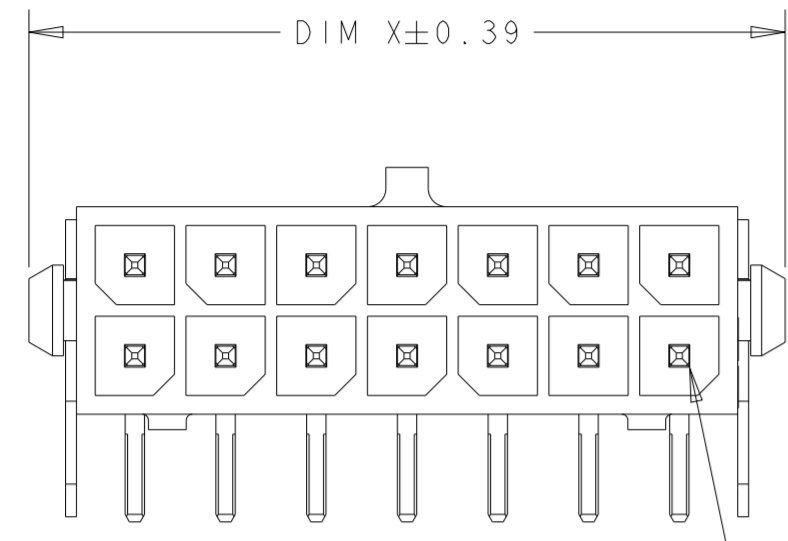


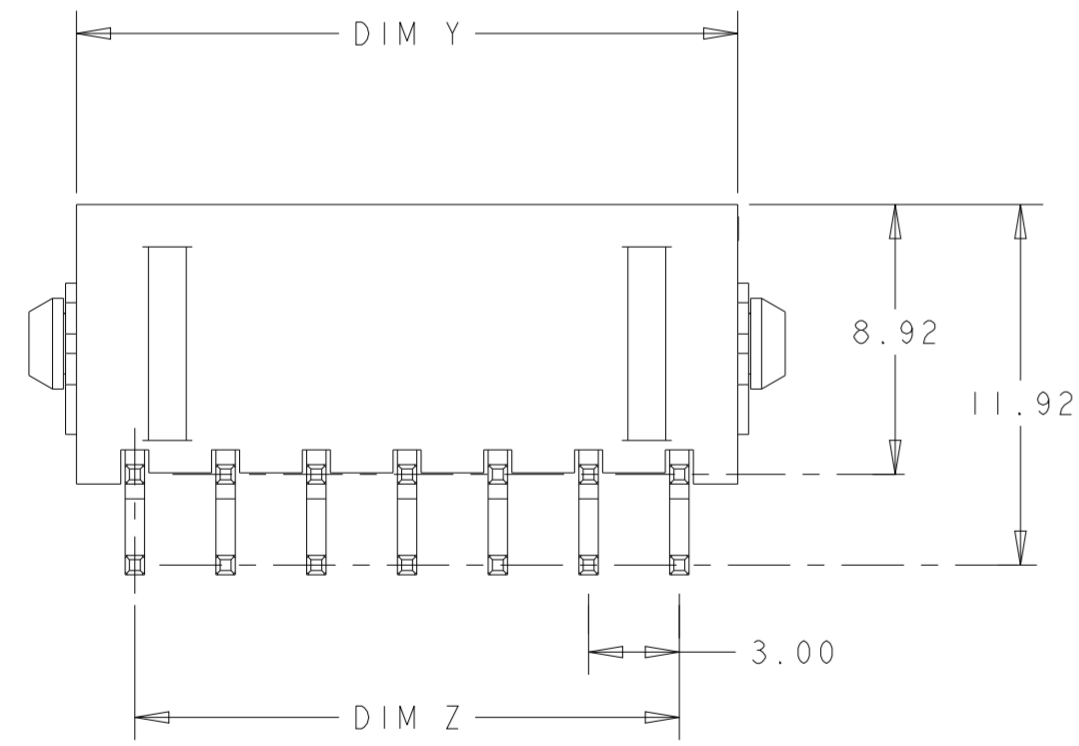
THIS DRAWING IS UNPUBLISHED. RELEASED FOR PUBLICATION 20
 © COPYRIGHT 20 BY - ALL RIGHTS RESERVED.

REVISIONS					
P	LTR	DESCRIPTION	DATE	DWN	APVD
G1		REVISED PER ECR-16-011494	22JUN2017	NK	CX
G2		ECO-19-006502	30APR2019	AP	WLS
G3		REVISED PER ECN-20-100556	21OCT2020	WLS	VS
G4		REVISED PER ECN-22-160768	23JUN2022	WLS	VS



CIRCUIT NUMBER 1

- 1 MATERIAL;
CONTACTS - BRASS.
HOUSING - UL 94V-0 RATED HIGH TEMP NYLON, COLOR BLACK.
- 2 RECOMMENDED PC BOARD THICKNESS OF 1.57.
- 3 PLATING;
CONTACTS - 2.54µm MINIMUM MATTE TIN OVER 1.27µm MINIMUM NICKEL ALL OVER.
HOLDDOWNS - 2.54µm MINIMUM MATTE TIN OVER 1.27µm MINIMUM NICKEL ALL OVER.
- 4 COUNTERPART RECOMMENDED IS PN 794617 (DASH ACCORDING TO NUMBER OF POSITION).
- 5 FOR REELING DIRECTION AND PACKAGING TYPE, SEE SPECIFICATION 114-13000.



36.86	37.30	33.00	40.00	24	5-794677-4
33.86	34.30	30.00	37.00	22	5-794677-2
30.86	31.30	27.00	34.00	20	5-794677-0
27.86	28.30	24.00	31.00	18	4-794677-8
24.86	25.30	21.00	28.00	16	4-794677-6
21.86	22.30	18.00	25.00	14	4-794677-4
18.86	19.30	15.00	22.00	12	4-794677-2
15.86	16.30	12.00	19.00	10	4-794677-0
12.86	13.30	9.00	16.00	8	3-794677-8
9.86	10.30	6.00	13.00	6	3-794677-6
6.86	7.30	3.00	10.00	4	3-794677-4
3.86	4.30	-	7.00	2	3-794677-2
DIM Y	DIM W	DIM Z	DIM X	NO. OF POSN.	PART NUMBER

THIS DRAWING IS A CONTROLLED DOCUMENT.		DWN B. HAYMAKER 12AUG99	TE Connectivity		
DIMENSIONS: mm		CHK K. COBLE 12AUG99			
TOLERANCES UNLESS OTHERWISE SPECIFIED:		APVD K. COBLE 12AUG99	NAME THRU-HOLE, RIGHT ANGLE, TIN HEADER MECHANICAL BOARDLOCK, DUAL ROW, MICRO MATE-N-LOK™		
0 PLC ± 1 PLC ± 2 PLC ±0.20 3 PLC ± 4 PLC ± ANGLES ±1° FINISH		PRODUCT SPEC 108-1836	SIZE A2	CAGE CODE 0779	DRAWING NO G-794677
MATERIAL		APPLICATION SPEC 114-13000	RESTRICTED TO		
		WEIGHT -	SCALE 4:1 SHEET 1 OF 2 REV G4		
		CUSTOMER DRAWING			

4

3

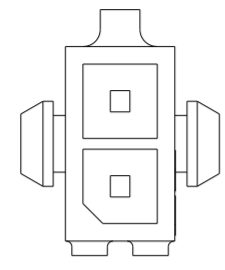
2

1

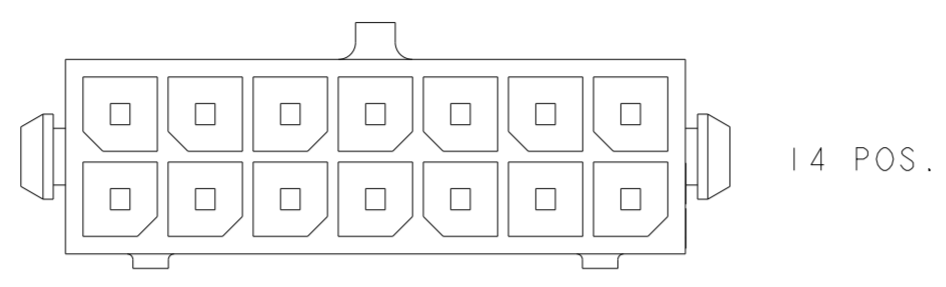
THIS DRAWING IS UNPUBLISHED. RELEASED FOR PUBLICATION 20
 © COPYRIGHT 20 BY - ALL RIGHTS RESERVED.

REVISIONS				
P	LTR	DESCRIPTION	DATE	APVD
-	-	SEE SHEET 1	-	-

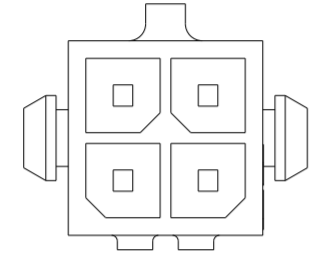
2 POS.



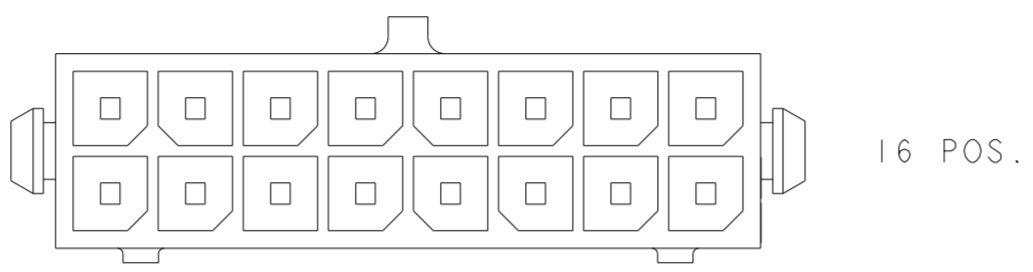
14 POS.



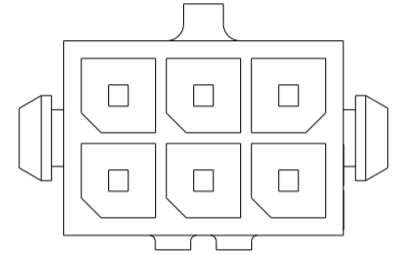
4 POS.



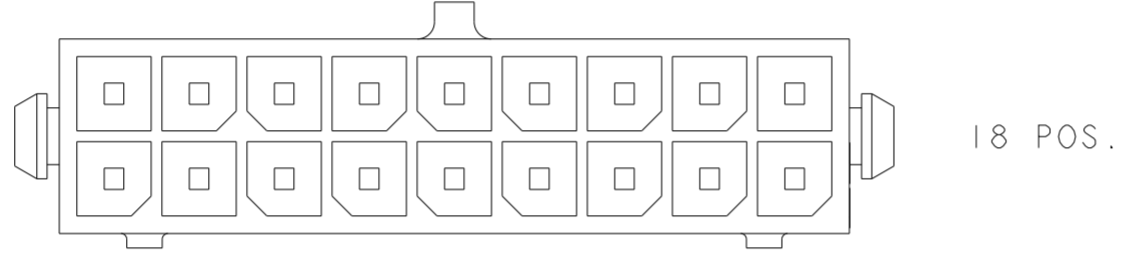
16 POS.



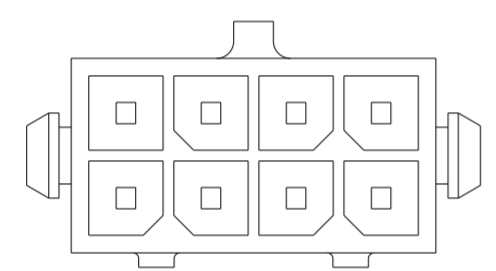
6 POS.



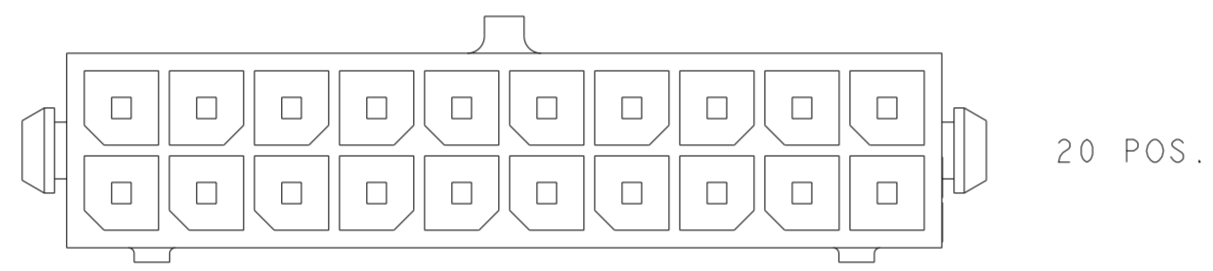
18 POS.



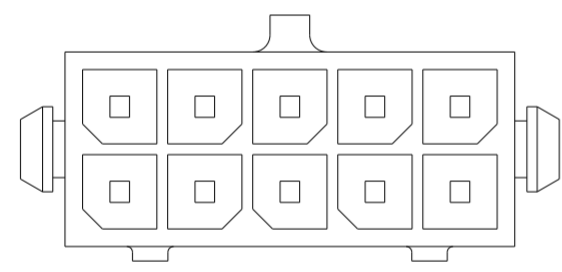
8 POS.



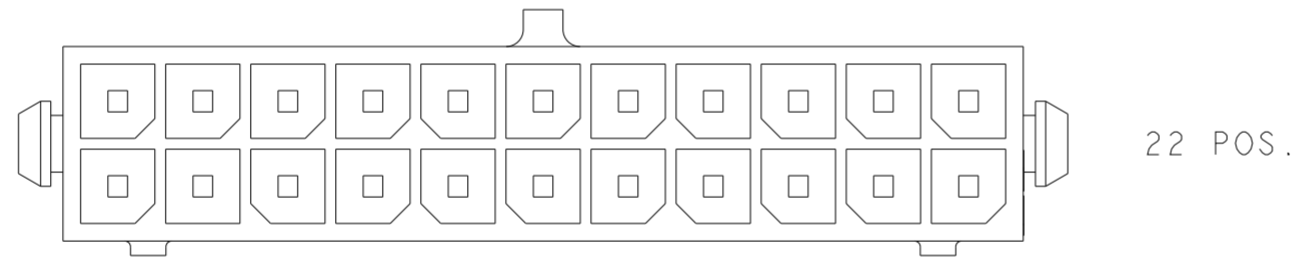
20 POS.



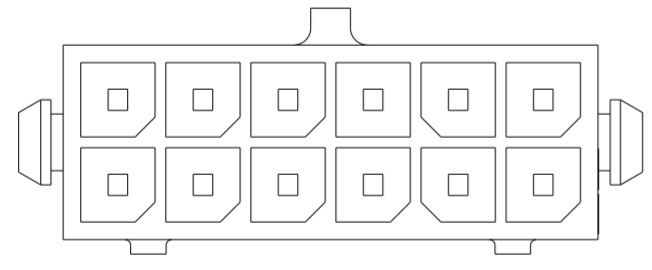
10 POS.



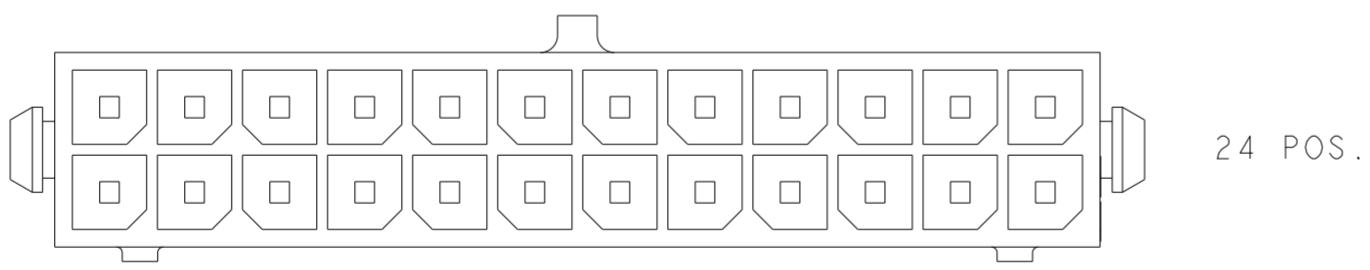
22 POS.



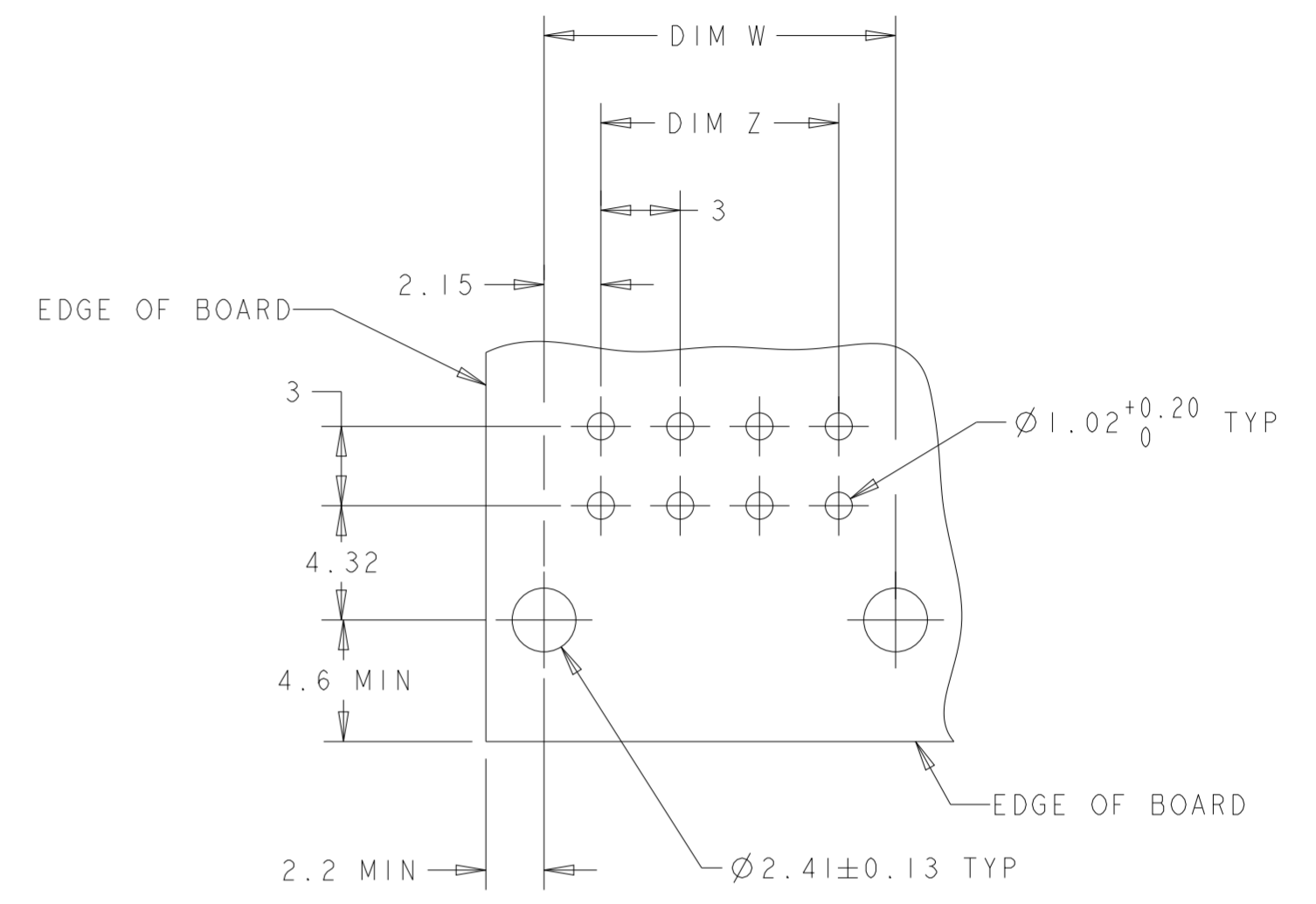
12 POS.



24 POS.



KEYING BY POSITION SIZE



EDGE OF BOARD

2.15

3

4.32

4.6 MIN

2.2 MIN

DIM W

DIM Z


3

Ø 1.02^{+0.20}₀ TYP

EDGE OF BOARD

Ø 2.41 ± 0.13 TYP

RECOMMENDED PCB LAYOUT (COMPONENT SIDE)

THIS DRAWING IS A CONTROLLED DOCUMENT.		DWN B. HAYMAKER 12AUG99	 TE Connectivity	
DIMENSIONS: mm		CHK K. COBLE 12AUG99		
TOLERANCES UNLESS OTHERWISE SPECIFIED:		APVD K. COBLE 12AUG99	NAME THRU-HOLE, RIGHT ANGLE, TIN HEADER MECHANICAL BOARDLOCK, DUAL ROW, MICRO MATE-N-LOK	
0 PLC ±		PRODUCT SPEC 108-1836	SIZE A2	
1 PLC ±		APPLICATION SPEC 114-13000	CAGE CODE 0779	
2 PLC ±0.20		WEIGHT -	DRAWING NO G-794677	
3 PLC ±		CUSTOMER DRAWING	RESTRICTED TO -	
4 PLC ±		SCALE 4:1	SHEET 2 OF 2	
ANGLES ±°			REV G4	
FINISH				

1471-9 (3/13)