

# DRB16-48SBE-L018 ✓ ACTIVE

DEUTSCH | DEUTSCH DRB

TE Internal #: DRB16-48SBE-L018

Housing for Female Terminals, Wire-to-Wire, 48 Position, .264 in / .15 in / .185 in [4.7 mm / 6.71 mm / 3.81 mm] Centerline, Sealable, Black

[View on TE.com >](#)



Connectors > Automotive Connectors > Automotive Housings > DEUTSCH DRB Housings



Connector & Housing Type: **Housing for Female Terminals**

Mating Pin Diameter: 1.02 mm, 1.59 mm, 2.39 mm [ .04 in, .063 in, .094 in ]

Connector System: **Wire-to-Wire**

Number of Positions: **48**

Centerline (Pitch): 3.81 mm, 4.7 mm, 6.71 mm [ .15 in, .185 in, .264 in ]

[All DEUTSCH DRB Housings \(19\)](#)

## Features

### Product Type Features

Connector Shape	Rectangular
Connector & Housing Type	Housing for Female Terminals
Connector System	Wire-to-Wire
Sealable	Yes
Hybrid Connector	Yes
Primary Locking Feature	Integrated in Housing
Connector & Contact Terminates To	Wire & Cable

### Configuration Features

Blank Cavity Position	0
Connector Modification	Wire Router
Connector Seal Code	E Seal
Number of Positions	48
Number of Rows	6

### Electrical Characteristics

Operating Voltage	250 VAC
Nominal Voltage Architecture	12 V, 24 V, 48 V

### Body Features

Cable Exit Angle	180°
Primary Product Color	Black
Connector & Keying Code	B

### Contact Features

Contact Size	Size 12, Size 16, Size 20
Contact Type	Socket
Mating Pin Diameter	1.02 mm, 1.59 mm, 2.39 mm [.04 in][.063 in][.094 in]
Contact Current Rating (Max)	7.5 A, 13 A, 25 A

### Mechanical Attachment

Terminal Position Assurance	Yes
Strain Relief	With
Mating Alignment Type	Keyed
Mating Alignment	With
Connector Mounting Type	Panel Mount

### Housing Features

Housing Material	PA GF
Centerline (Pitch)	3.81 mm, 4.7 mm, 6.71 mm [.15 in][.185 in][.264 in]

### Dimensions

Connector Height	66.19 mm [2.606 in]
Product Width	66.19 mm [2.606 in]
Product Length	35.71 mm [1.406 in]
Row-to-Row Spacing	.64 mm, 7.57 mm, 7.77 mm, 8.2 mm, 8.41 mm [.025 in][.298 in][.306 in][.323 in][.331 in]
Compatible Insulation Diameter Range	1.02 – 2.41 mm, 1.35 – 3.05 mm, 2.46 – 4.01 mm [.04 – .095 in][.053 – .12 in][.097 – .158 in]

### Usage Conditions

Operating Temperature (Max)	125 °C [257 °F]
-----------------------------	-----------------



Operating Temperature Range	-55 – 125 °C[-67 – 257 °F]
-----------------------------	----------------------------

### Operation/Application

Circuit Application	Power & Signal
---------------------	----------------

### Industry Standards

Degree of Protection	IP68, IP6K9K
Agency/Standard	SAE J2030

### Packaging Features

Packaging Quantity	36
Packaging Method	Box

### Other

Serviceable	Yes
Connector Position Assurance Capable	No

### Product Compliance

[For compliance documentation, visit the product page on TE.com>](#)

EU RoHS Directive 2011/65/EU	Compliant
EU ELV Directive 2000/53/EC	Compliant
China RoHS 2 Directive MIIT Order No 32, 2016	No Restricted Materials Above Threshold
EU REACH Regulation (EC) No. 1907/2006	Current ECHA Candidate List: JUNE 2023 (235) Candidate List Declared Against: JAN 2023 (233) Does not contain REACH SVHC
Halogen Content	Not Low Halogen - contains Br or Cl > 900 ppm.
Solder Process Capability	Not reviewed for solder process capability

#### Product Compliance Disclaimer

This information is provided based on reasonable inquiry of our suppliers and represents our current actual knowledge based on the information they provided. This information is subject to change. The part numbers that TE has identified as EU RoHS compliant have a maximum concentration of 0.1% by weight in homogenous materials for lead, hexavalent chromium, mercury, PBB, PBDE, DBP, BBP, DEHP, DIBP, and 0.01% for cadmium, or qualify for an exemption to these limits as defined in the Annexes of Directive 2011/65/EU (RoHS2). Finished electrical and electronic equipment products will be CE marked as required by Directive 2011/65/EU. Components may not be CE marked. Additionally, the part numbers that TE has identified as EU ELV compliant have a maximum concentration of 0.1% by weight in homogenous materials for lead, hexavalent chromium, and mercury, and 0.01% for cadmium, or qualify for an exemption to these limits as defined in the Annexes of Directive 2000/53/EC (ELV). Regarding the REACH Regulation, the information TE provides on SVHC in articles for this part number is based on the latest European Chemicals Agency (ECHA) 'Guidance on requirements for substances in articles' posted at this URL: <https://echa.europa.eu/guidance-documents/guidance-on-reach>

## Compatible Parts



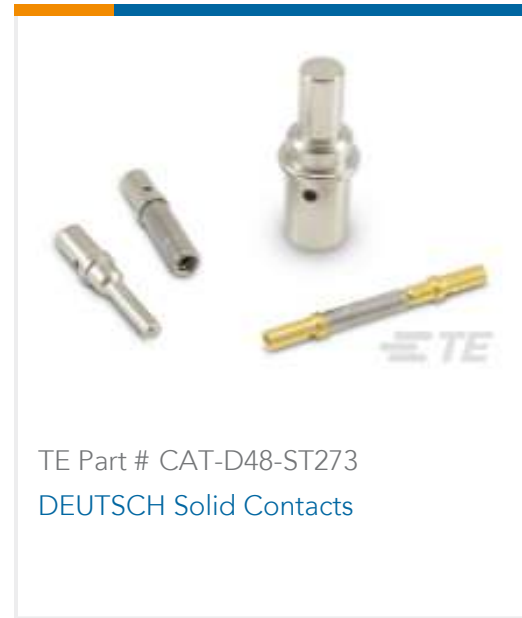
TE Part # CAT-D48-SP729  
DEUTSCH Sealing Plugs



TE Part # WB-48SB  
WEDGE LOCK, 48P, PLG, BLK, DRB, B



TE Part # DRB12-48PBE-L018  
REC, 48P, BLK, E, CAP, B



TE Part # CAT-D48-ST273  
DEUTSCH Solid Contacts



TE Part # 3315-015-0005  
PROTECT CVR, 48/60P, PLG, YEL, DRB



TE Part # CAT-J67-DSCC16  
DEUTSCH Size 16 Crimp Contacts



TE Part # DRBF-3AB  
FLANGE, MOUNT, 60/48P, BLK, DUAL, AB



TE Part # DT-RT1  
EXT TOOL, FRONT RELEASE



TE Part # 1062-12-0144  
SOC, SF, SIZE 12, 12-14, AU/SN



TE Part # 1062-20-0622  
SOC, SF, SIZE 20, 14-16, NI/NI



TE Part # 1062-12-0222  
SOC, SF, SIZE 12, 10, NI/NI



TE Part # 1062-20-0244  
SOC, SF, SIZE 20, 16-22, AU/SN



TE Part # 1062-12-0166  
SOC, SF, SIZE 12, 12-14, NI/SN



TE Part # 1062-20-0222  
SOC, SF, SIZE 20, 16-22, NI/NI



TE Part # 1062-20-0322  
SOC, SF, SIZE 20, 16-22, SLEVELESS, NI /NI



TE Part # 1062-20-0122  
SOC, SF, SIZE 20, 16-22, NI/NI



TE Part # 1062-20-0144  
SOC, SF, SIZE 20, 16-22, AU/SN



TE Part # 1062-20-0377  
SOC, SF, SIZE 20, 16-22, SLEVELESS, SN /SN



TE Part # 1062-12-0244  
SOC, SF, SIZE 12, 10, AU/SN

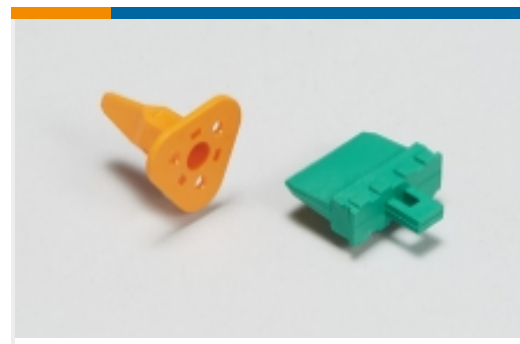


TE Part # 1062-20-0177  
SOC, SF, SIZE 20, 16-22, SN/SN

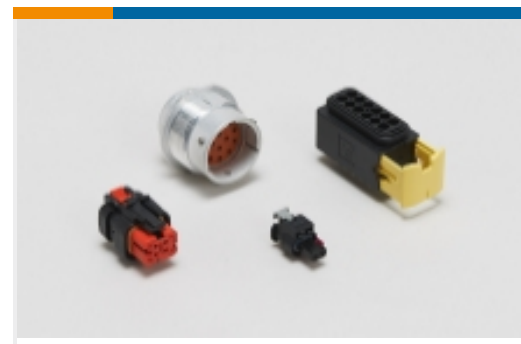
Also in the Series | **DEUTSCH DRB**



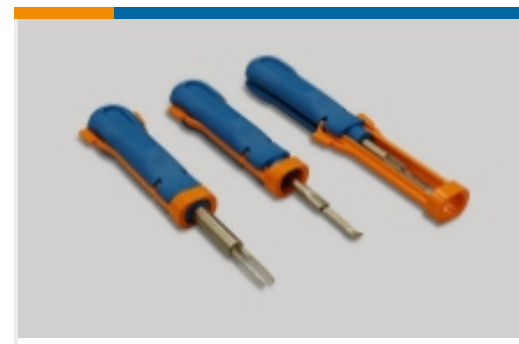
Automotive Connector Caps & Covers (2)



Automotive Connector Locks & Position Assurance(20)



Automotive Housings(19)



Insertion & Extraction Tools(1)



Other Automotive Connector Accessories(6)

## Customers Also Bought



TE Part #WB-48SB  
DEUTSCH DRB Wedgelocks



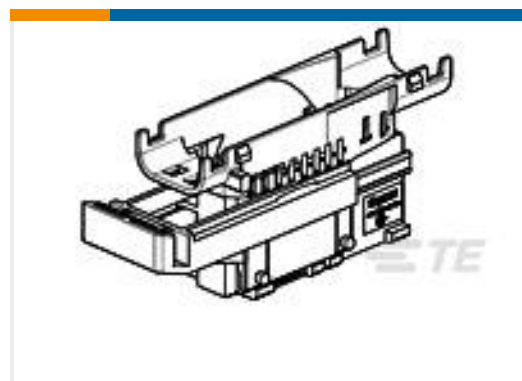
TE Part #DRB12-48PBE-L018  
REC, 48P, BLK, E, CAP, B



TE Part #HDP26-24-9SE-L015  
DEUTSCH HDP20 Housings



TE Part #DRBF-2B  
FLANGE, MOUNT, 60/48P, BLK, B



TE Part #1394522-2  
MIXED SOCKET HOUSING, 42POS. ,



TE Part #DRB48-60-BT  
BOOT, 48/60P, PLG/REC, ST, BLK



TE Part #K1138370  
Limit switch G12-211-M-15 904



TE Part #3315-016-0005  
PROTECT CVR, 102/128P, PLG, YEL, DRB

## Documents

### Product Drawings

PLG, 48P, BLK, E, CAP, B

English

### CAD Files

3D PDF

3D

Customer View Model

ENG\_CVM\_CVM\_DRB16-48SBE-L018\_99\_c-drb16-48sbe-l018-99.2d\_dxf.zip



English

**Customer View Model**

[ENG\\_CVM\\_CVM\\_DRB16-48SBE-L018\\_99\\_c-drb16-48sbe-l018-99.3d\\_igs.zip](#)

English

**Customer View Model**

[ENG\\_CVM\\_CVM\\_DRB16-48SBE-L018\\_99\\_c-drb16-48sbe-l018-99.3d\\_stp.zip](#)

English

By downloading the CAD file I accept and agree to the [Terms and Conditions](#) of use.

---

**Product Specifications**

[Application Specification](#)

English

---

**Agency Approvals**

[UL Report](#)

English