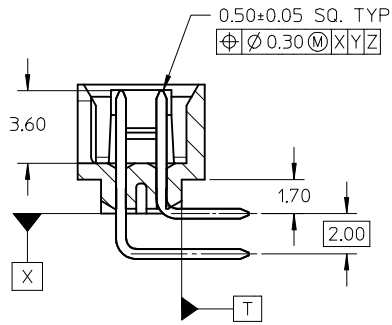
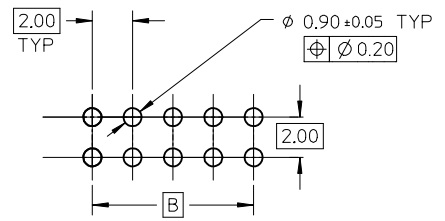


REF: ORIENTATION OF PART IN TUBE
(FOR THE REFERENCE OF PART/TUBE ASSEMBLY)



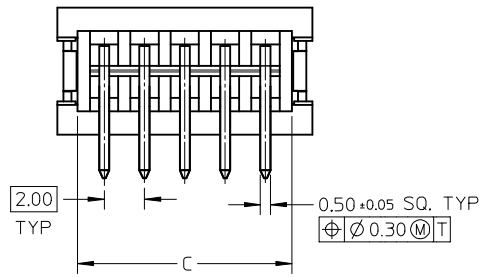
SECTION G-G

PART NO.	CKT SIZE	VOID PIN LOCATION	A	B	C	D	P
78046-0420	4	-	6.65	2.00	4.63	4.85	2.16
78046-0620	6	-	8.65	4.00	6.63	6.85	
78046-0820	8	-	10.65	6.00	8.63	8.85	
78046-1020	10	-	12.65	8.00	10.63	10.85	
78046-1021	10	7					
78046-1023	10	8					
78046-1220	12	-	14.65	10.00	12.63	12.85	



RECOMMENDED PCB PATTERN

- NOTES:
- FOR ILLUSTRATION PURPOSES, 10 CIRCUIT SIZE WAFER IS SHOWN.
 - MATERIAL :
HOUSING : NYLON 46, UL94V-0, COLOR : BLACK
PIN : 0.50MM SQ. PHOSPHOR BRONZE.
 - PLATING : 0.38µm/15µm GOLD IN CONTACT AREA AND 1.88µm/75µm MIN. TIN IN SOLDER TAIL AREA OVER 1.27µm/50µm MIN. NICKEL OVERALL.
 - PRODUCT SPECIFICATION PS-87831-027 APPLIES.
 - THIS HEADER MATES WITH MOLEX:
- CRIMP RECEPTACLE HOUSING, 78045 SERIES
WITH CRIMP TERMINAL, 50394 SERIES.
 - PACKAGING SPECIFICATION: PK-87831-001



ADD NOTE 6 EC NO: S2017-0022 DRWN: GEMEARLY 2016/07/12 CHKD: SCHEONG 2016/07/27 APPR: KHLIM 2016/07/28	DESCRIPTION REV	QUALITY SYMBOLS	GENERAL TOLERANCES (UNLESS SPECIFIED)		DIMENSION STYLE MM ONLY		SCALE NTS	DESIGN UNITS METRIC	THIRD ANGLE PROJECTION																															
		$\nabla_A = 0$ $\nabla_C = 0$ $\nabla_P = 0$	<table border="1"> <tr> <th></th> <th>mm</th> <th>INCH</th> </tr> <tr> <td>4 PLACES</td> <td>± ---</td> <td>± ---</td> </tr> <tr> <td>3 PLACES</td> <td>± ---</td> <td>± ---</td> </tr> <tr> <td>2 PLACES</td> <td>± 0.2</td> <td>± ---</td> </tr> <tr> <td>1 PLACE</td> <td>± ---</td> <td>± ---</td> </tr> <tr> <td>0 PLACE</td> <td>± ---</td> <td>± ---</td> </tr> </table>		mm	INCH	4 PLACES	± ---	± ---	3 PLACES	± ---	± ---	2 PLACES	± 0.2	± ---	1 PLACE	± ---	± ---	0 PLACE	± ---	± ---	<table border="1"> <tr> <th>DRAWN BY</th> <th>DATE</th> <th>TITLE</th> </tr> <tr> <td>SKANG</td> <td>2006/05/16</td> <td rowspan="3">MGRID, SHROUDED HEADER W/SLOT AND SIDE LOCKS R/A</td> </tr> <tr> <th>CHECKED BY</th> <th>DATE</th> </tr> <tr> <td>MLONG</td> <td>2006/06/05</td> </tr> <tr> <th>APPROVED BY</th> <th>DATE</th> <td rowspan="2"> </td> </tr> <tr> <td>SKTOH</td> <td>2006/06/09</td> </tr> </table>	DRAWN BY	DATE	TITLE	SKANG	2006/05/16	MGRID, SHROUDED HEADER W/SLOT AND SIDE LOCKS R/A	CHECKED BY	DATE	MLONG	2006/06/05	APPROVED BY	DATE		SKTOH	2006/06/09	MATERIAL NO. SEE TABLE	DOCUMENT NO. SD-78046-001	SHEET NO. 1 OF 1
			mm	INCH																																				
		4 PLACES	± ---	± ---																																				
3 PLACES	± ---	± ---																																						
2 PLACES	± 0.2	± ---																																						
1 PLACE	± ---	± ---																																						
0 PLACE	± ---	± ---																																						
DRAWN BY	DATE	TITLE																																						
SKANG	2006/05/16	MGRID, SHROUDED HEADER W/SLOT AND SIDE LOCKS R/A																																						
CHECKED BY	DATE																																							
MLONG	2006/06/05																																							
APPROVED BY	DATE																																							
SKTOH	2006/06/09																																							
DRAFT WHERE APPLICABLE MUST REMAIN WITHIN DIMENSIONS			ANGULAR ± 3 °		THIS DRAWING CONTAINS INFORMATION THAT IS PROPRIETARY TO MOLEX INCORPORATED AND SHOULD NOT BE USED WITHOUT WRITTEN PERMISSION																																			
B1			A3																																					