

4

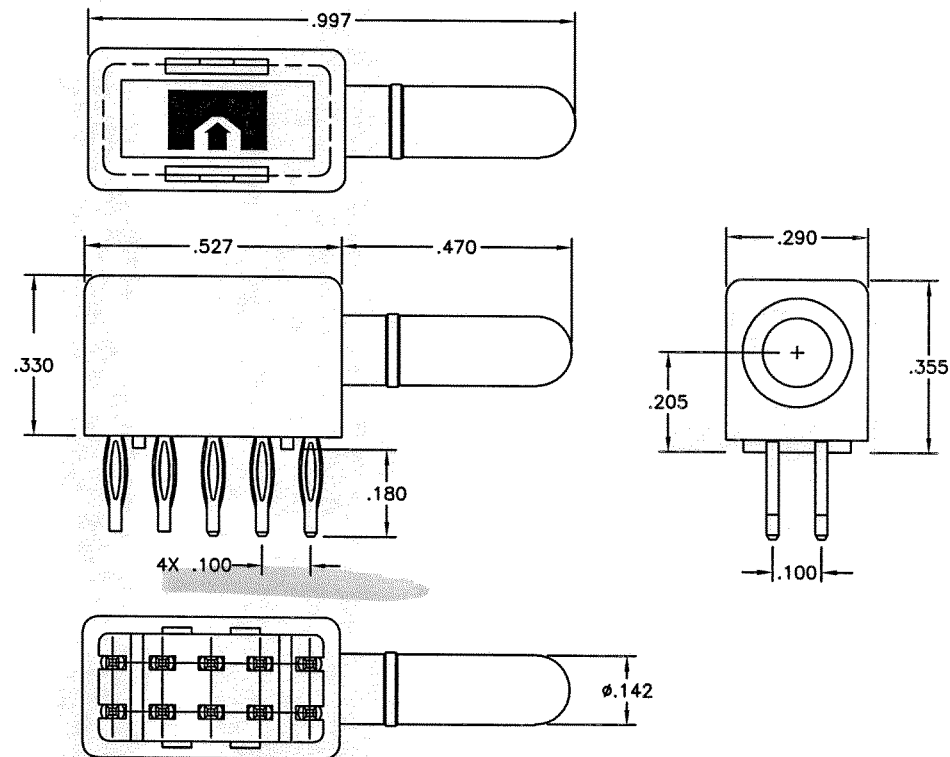
3

2

1

This drawing involves proprietary design rights of Tyco Electronics Corporation, and all design, manufacture, reproduction, use and sale rights regarding the same are expressly reserved. It is submitted for a specific purpose and the recipient by accepting this drawing, assumes custody and control and agrees to take reasonable precautions: (a) that this drawing will not be copied and reproduced in whole or in part, or its contents revealed in any manner, or to any person except to meet the purpose for which it was delivered and (b) that any special features peculiar to this design will not be incorporated in other projects without the expressed written permission of Tyco Electronics Corporation.

REVISIONS			
EC	REV	DESCRIPTION	DATE
	A	NEW RELEASE	07.29.05



6. REFERENCE TYCO ASSEMBLY PART NUMBER 6643223-1

⚠ A FIVE-POUND (5lb) FORCE REQUIRED TO CORRECTLY SEAT THE CONNECTOR WITH PLATED THRU HOLES LESS THAN ϕ .040 INCH.

4. FINISH:

CROWN HOLDER - SILVER PLATED
CROWN - GOLD PLATED
PIN CONTACT - SILVER PLATED

3. MATERIAL:

INSULATOR - POLYESTER, GLASS FILLED, UL 94 V-0 RATED, COLOR-BLACK
CROWN HOLDER - PHOSPHOR BRONZE
CROWN - BECU
PIN CONTACT - BRASS

2. ITEMS PROVIDED TO THIS SPECIFICATION SHALL BE IDENTIFIED ON CONTAINER WITH THE FOLLOWING INFORMATION PART NUMBER AND DATE CODE OF MANUFACTURE.

1. PART NUMBER CHANGES AND/OR DESIGN CHANGES AFFECTING ITEM INTERCHANGEABILITY REQUIRE PRIOR TYCO APPROVAL AND AUTHORIZATION BY REVISION TO THIS DRAWING.

NOTES: UNLESS OTHERWISE SPECIFIED

INCH MM	OR INCH (MM)	DRAWN	DATE	Tyco Electronics Corporation Menlo Park, Ca 94025		ELCON
		RHM/LOVATO	07.29.05	TITLE		
THIRD ANGLE PROJECTION			CHECKED	PARALLEL PIN, SLIMLINE ICCON COMPLIANT, LOCKING, .470 PIN EXT		
UNLESS OTHERWISE SPECIFIED DIMENSIONS ARE IN INCHES (METRIC)			APPROVED	SIZE DWG NUMBER		
TOLERANCES			APPROVED	REV.		
ANGLES \pm .5°			DCA APPROVED	B C=6643223 A		
DECIMALS .XXX \pm .020 [.508]			ACAD FILE NUMBER	DWG SCALE 4=1 SH 1 OF 2		
.XX \pm			C6643223A.DWG			

4

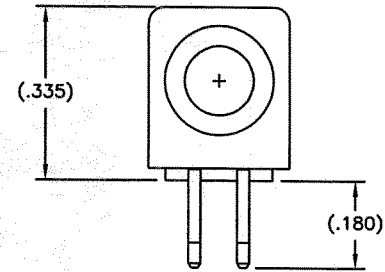
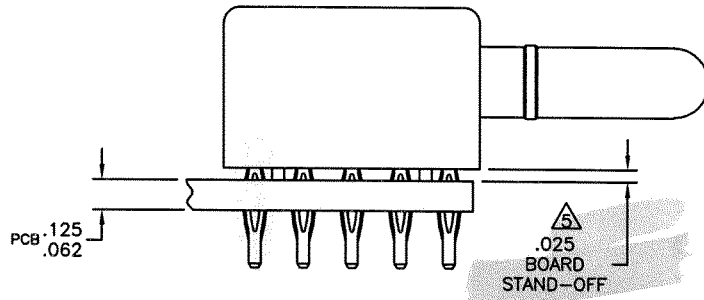
3

2

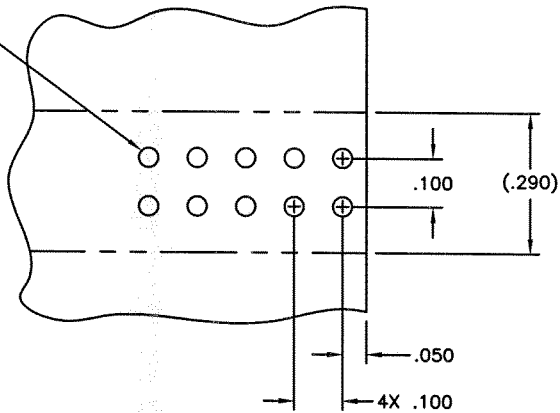
1

This drawing involves proprietary design rights of Tyco Electronics Corporation, and all design, manufacture, reproduction, use and sale rights regarding the same are expressly reserved. It is submitted for a specific purpose and the recipient by accepting this drawing, assumes custody and control and agrees to take reasonable precautions; (a) that this drawing will not be copied and reproduced in whole or in part, or its contents revealed in any manner, or to any person except to meet the purpose for which it was delivered and (b) that any special features peculiar to this design will not be incorporated in other projects without the expressed written permission of Tyco Electronics Corporation.

REVISIONS			
EC	REV	DESCRIPTION	DATE
		SEE SHEET 1	



DRILLED HOLE DIAMETER
.0453 ± .001
AFTER PLATING
ø.043/.037 10X



SUGGESTED PCB FOOTPRINT

INCH MM THIRD ANGLE PROJECTION UNLESS OTHERWISE SPECIFIED DIMENSIONS ARE IN INCHES (METRIC) TOLERANCES ANGLES ± .5° DECIMALS .XXX ± .020 [508] .XX ±	DRAWN RHM/LOVATO	DATE 07.29.05	 Tyco Electronics Corporation Mento Park, Ca 94025 	TITLE	
	CHECKED			PARALLEL PIN, SLIMLINE ICCON COMPLIANT, LOCKING, .470 PIN EXT	
	APPROVED			SIZE DWG NUMBER	REV.
	APPROVED			B C= 6643223	A
	DCA APPROVED		ACAD FILE NUMBER C6643223A.DWG	DWG SCALE 4=1 SH 2 OF 2	