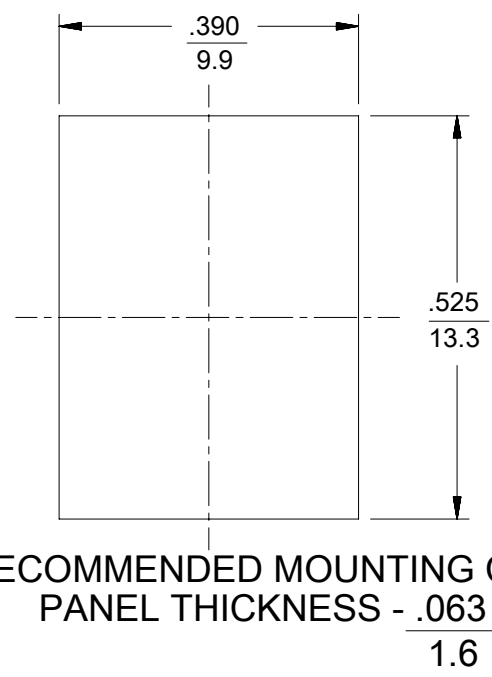
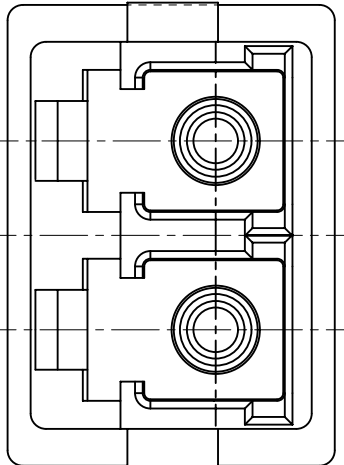
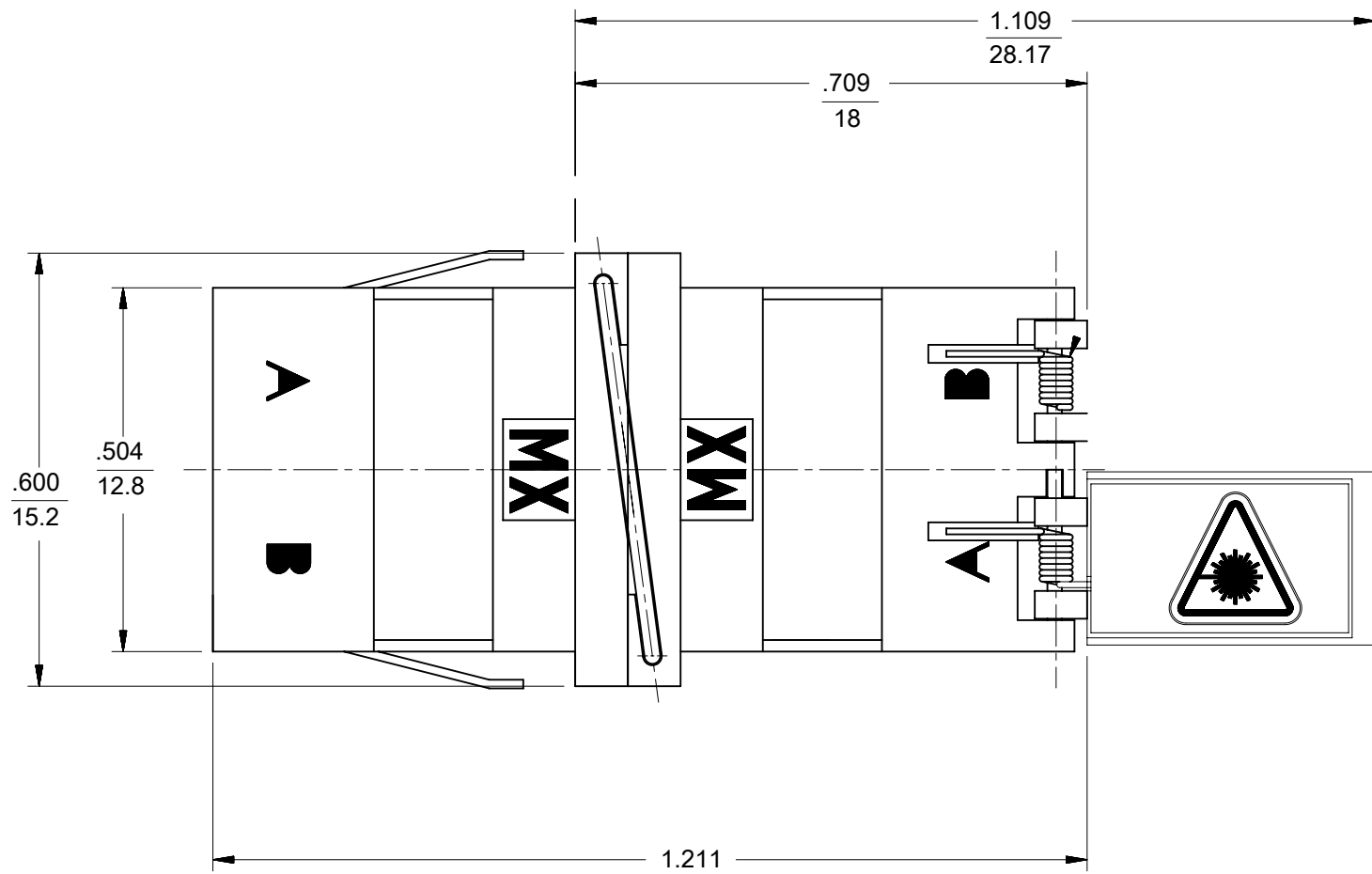
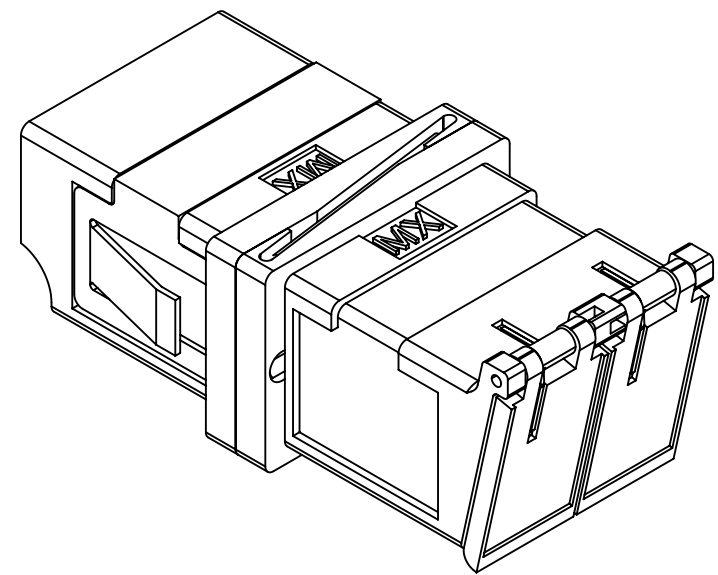
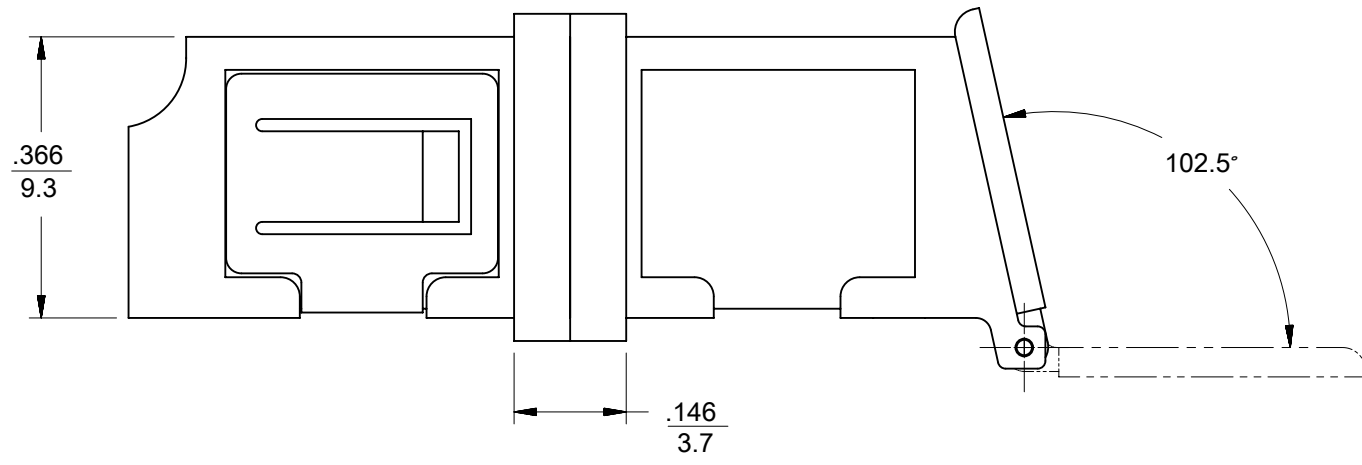


10	9
LC ADAPTER ASSY. P/N	LC DOOR COLOR
106127-1490	BLUE



RECOMMENDED MOUNTING CUTOUT
 PANEL THICKNESS - .063
 1.6

- NOTES:
1. ALL DIMENSIONS ARE FOR REFERENCE ONLY.
 2. DUST CAP NOT SHOWN.
 3. ADAPTERS TO BE PACKAGED IN TRAY

THIS DRAWING CONTAINS INFORMATION THAT IS PROPRIETARY TO MOLEX ELECTRONIC TECHNOLOGIES, LLC AND SHOULD NOT BE USED WITHOUT WRITTEN PERMISSION																																																																							
DIMENSION UNITS		SCALE		CURRENT REV DESC:																																																																			
IN/MM		4:1		<table border="0"> <tr> <td colspan="4">molex</td> </tr> <tr> <td colspan="4">LC DUPLEX ADAPTER (METAL, PLASTIC DOORS)</td> </tr> <tr> <td colspan="4">PRODUCT CUSTOMER DRAWING</td> </tr> <tr> <td colspan="2">DOCUMENT NUMBER</td> <td>DOC TYPE</td> <td>DOC PART</td> <td colspan="2">REVISION</td> <td colspan="2"></td> <td colspan="2"></td> <td colspan="2"></td> </tr> <tr> <td colspan="2">SD-106127-149X</td> <td>PSD</td> <td>001</td> <td colspan="2">A3</td> <td colspan="2"></td> <td colspan="2"></td> <td colspan="2"></td> </tr> <tr> <td colspan="2">MATERIAL NUMBER</td> <td colspan="2">CUSTOMER</td> <td colspan="2">SHEET NUMBER</td> <td colspan="2"></td> <td colspan="2"></td> <td colspan="2"></td> </tr> <tr> <td colspan="2">SEE TABLE</td> <td colspan="2">GENERAL MARKET</td> <td colspan="2">1 OF 1</td> <td colspan="2"></td> <td colspan="2"></td> <td colspan="2"></td> </tr> </table>								molex				LC DUPLEX ADAPTER (METAL, PLASTIC DOORS)				PRODUCT CUSTOMER DRAWING				DOCUMENT NUMBER		DOC TYPE	DOC PART	REVISION								SD-106127-149X		PSD	001	A3								MATERIAL NUMBER		CUSTOMER		SHEET NUMBER								SEE TABLE		GENERAL MARKET		1 OF 1							
molex																																																																							
LC DUPLEX ADAPTER (METAL, PLASTIC DOORS)																																																																							
PRODUCT CUSTOMER DRAWING																																																																							
DOCUMENT NUMBER		DOC TYPE	DOC PART	REVISION																																																																			
SD-106127-149X		PSD	001	A3																																																																			
MATERIAL NUMBER		CUSTOMER		SHEET NUMBER																																																																			
SEE TABLE		GENERAL MARKET		1 OF 1																																																																			
GENERAL TOLERANCES (UNLESS SPECIFIED)				<table border="0"> <tr> <td>4 PLACES ±</td> <td>MM</td> <td>INCH</td> <td>EC NO: 624787</td> </tr> <tr> <td>3 PLACES ±</td> <td></td> <td></td> <td>DRWN: VLOKESHA 2019/05/17</td> </tr> <tr> <td>2 PLACES ±</td> <td></td> <td></td> <td>CHK'D: GGA 2019/11/11</td> </tr> <tr> <td>1 PLACE ±</td> <td></td> <td></td> <td>APPR: GGA 2019/11/11</td> </tr> <tr> <td>0 PLACES ±</td> <td></td> <td></td> <td>INITIAL REVISION:</td> </tr> <tr> <td></td> <td></td> <td></td> <td>DRWN: PGIBLIN 2005/10/05</td> </tr> <tr> <td></td> <td></td> <td></td> <td>APPR:</td> </tr> </table>								4 PLACES ±	MM	INCH	EC NO: 624787	3 PLACES ±			DRWN: VLOKESHA 2019/05/17	2 PLACES ±			CHK'D: GGA 2019/11/11	1 PLACE ±			APPR: GGA 2019/11/11	0 PLACES ±			INITIAL REVISION:				DRWN: PGIBLIN 2005/10/05				APPR:																																
4 PLACES ±	MM	INCH	EC NO: 624787																																																																				
3 PLACES ±			DRWN: VLOKESHA 2019/05/17																																																																				
2 PLACES ±			CHK'D: GGA 2019/11/11																																																																				
1 PLACE ±			APPR: GGA 2019/11/11																																																																				
0 PLACES ±			INITIAL REVISION:																																																																				
			DRWN: PGIBLIN 2005/10/05																																																																				
			APPR:																																																																				
ANGULAR TOL ± 0.5°				<table border="0"> <tr> <td>DRAFT WHERE APPLICABLE MUST REMAIN WITHIN DIMENSIONS</td> <td>THIRD ANGLE PROJECTION</td> <td>DRAWING</td> <td>SERIES</td> <td>MATERIAL NUMBER</td> <td>CUSTOMER</td> <td>SHEET NUMBER</td> <td colspan="5"></td> </tr> <tr> <td></td> <td></td> <td>B-SIZE</td> <td>106127</td> <td>SEE TABLE</td> <td>GENERAL MARKET</td> <td>1 OF 1</td> <td colspan="5"></td> </tr> </table>								DRAFT WHERE APPLICABLE MUST REMAIN WITHIN DIMENSIONS	THIRD ANGLE PROJECTION	DRAWING	SERIES	MATERIAL NUMBER	CUSTOMER	SHEET NUMBER								B-SIZE	106127	SEE TABLE	GENERAL MARKET	1 OF 1																																									
DRAFT WHERE APPLICABLE MUST REMAIN WITHIN DIMENSIONS	THIRD ANGLE PROJECTION	DRAWING	SERIES	MATERIAL NUMBER	CUSTOMER	SHEET NUMBER																																																																	
		B-SIZE	106127	SEE TABLE	GENERAL MARKET	1 OF 1																																																																	