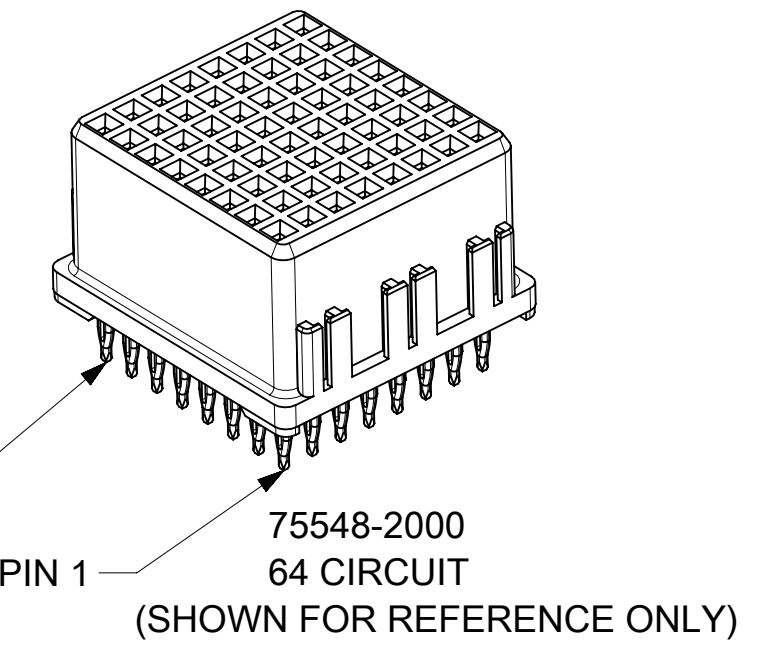
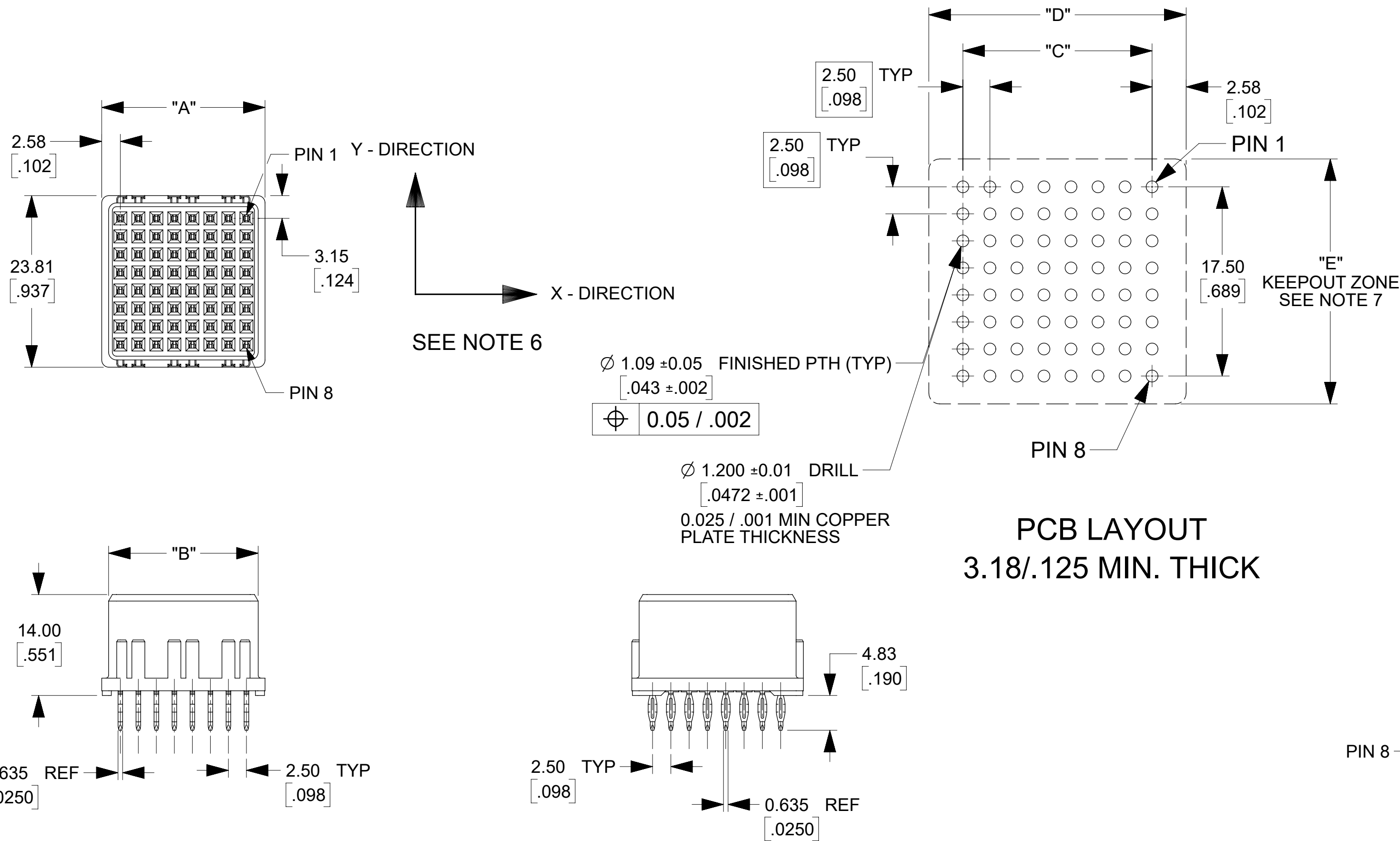


PART NUMBER	CIRCUIT SIZE	DIM "A"	DIM "B"	DIM "C"	DIM "D"	MATING MODULE	PLATING
75548-6000	64	22.66/.892	20.76/.817	17.50/.689	27.50/1.08	75568-1000	30μ IN MIN SELECT HARD GOLD IN CONTACT AREA WITH 100μ IN MIN SELECT TIN IN TAIL AREA OVER 50μ IN MIN NICKEL OVERALL
75548-6048	48	17.66/.695	15.26/.620	12.50/.492	22.50/.885	75568-1048	
75548-6040	40	15.16/.597	13.26/.522	10.00/.394	20.00/.787	75568-1040	
75548-6032	32	12.66/.498	10.76/.424	7.50/.295	17.50/.689	75568-1032	
75548-6024	24	10.16/.400	8.26/.325	5.00/.197	15.00/.590	75568-1024	

- NOTES:
- MATERIALS:
    - HOUSING: 30% GLASS FILLED, LCP 94V-0, COLOR: BLACK
    - TERMINALS: COPPER ALLOY
 PLATING: PER ES-88 - SEE CHART  
 LUBRICATION: EB1 IN CONTACT AREA
  - SEE CHART FOR REFERENCE DOCUMENTS
  - AVERAGE INSERTION FORCE INTO PCB IS 8.2 Kg/18 LBS PER TAIL
  - MODULE ASSEMBLY IS RoHS COMPLIANT
  - GATHERABILITY: ±0.65/.026 X-DIRECTION  
±1.30/.051 Y-DIRECTION
  - TERMINAL RETENTION INTO HOUSING 0.45 Kg/1.0 LB
  - KEEPOUT ZONE DIMENSION "E":
    - 25.00/.984 ON PCB SURFACE
    - 26.00/1.024 AT 3.50/1.38 ABOVE PCB SURFACE
    - 46.00/1.811 AT 9.00/.354 ABOVE PCB SURFACE
  - RECEPTACLE MATES WITH PLUG ASSEMBLY: 75568-5\*\*\*



REFERENCE DOCUMENTS	
PS-75431-999	PRODUCT SPECIFICATION: PERFORMANCE AND RATINGS
SD-75541-***	MODULE CONFIGURATION DRAWING
AS-75541-0000	APPLICATION SPECIFICATION

THIS DRAWING CONTAINS INFORMATION THAT IS PROPRIETARY TO MOLEX ELECTRONIC TECHNOLOGIES, LLC AND SHOULD NOT BE USED WITHOUT WRITTEN PERMISSION									
DIMENSION UNITS: MM/IN		SCALE: 3:1		CURRENT REV DESC: OBSOLETE PART NUMBERS AS PER PCN#512384					
GENERAL TOLERANCES (UNLESS SPECIFIED)				EC NO: 721306 DRWN: SCS02 CHK'D: GGA APPR: GGA INITIAL REVISION: DRWN: AD RATNOL APPR: APATEL 2018/12/21 2022/10/18 2005/04/11 2005/04/11					
		MM	INCH						
4 PLACES	±	±	±						
3 PLACES	±	± 0.008	±						
2 PLACES	± 0.2	± 0.013	±						
1 PLACE	± 0.33	±	±						
0 PLACES	±	±	±						
ANGULAR TOL ± 0.5 °		DRAFT WHERE APPLICABLE MUST REMAIN WITHIN DIMENSIONS		THIRD ANGLE PROJECTION		DRAWING: C-SIZE		SERIES: 75548	
DOCUMENT NUMBER: SD-75548-100		DOC TYPE: PSD		DOC PART: 001		REVISION: B1		SHEET NUMBER: 1 OF 1	