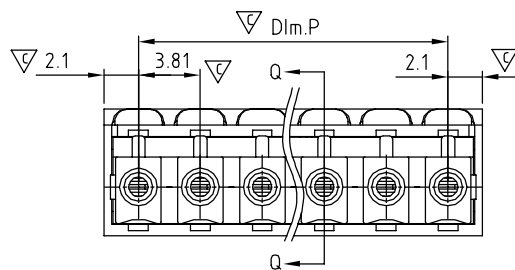
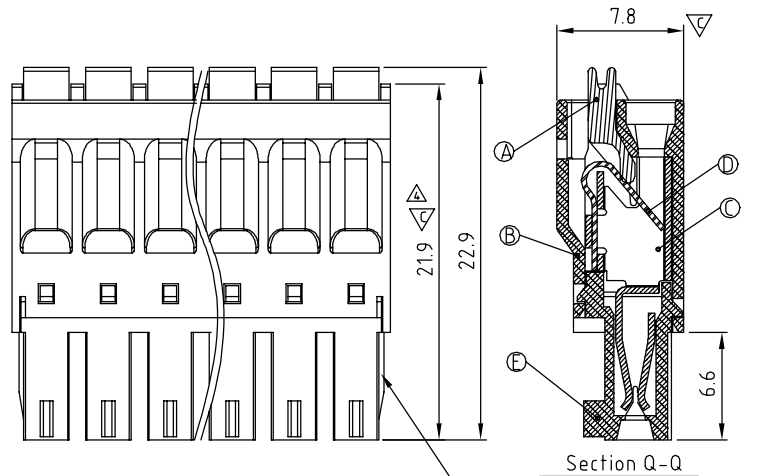
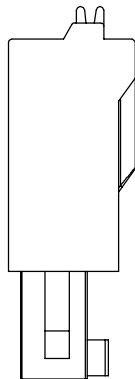
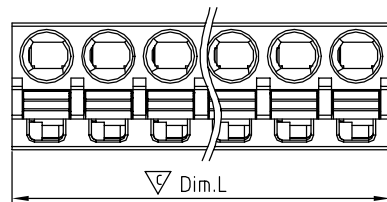


SIGN	DATE	DESCRIPTION	APPROVER
△	05/28/11	Voltage rating is changed from 160 V to 300 V	Steven
△	05/28/11	Withstanding Voltage is changed from 132 Kv to 1.6 Kv	Steven
△	05/28/11	Add "cULus" Safety Approval logo	Steven
△	05/28/11	The dimension is added	Steven

THIS IS CAD DRAWING, DO NOT REVISE MANUALLY!!!



2P ~ 6P Ribs on both sides,
7P ~ 24P No rib

Material:

- Item Ⓐ Terminal lever: Thermoplastic (UL94V-0)
 - Item Ⓑ Terminal top housing: Thermoplastic (UL94V-0)
 - Item Ⓒ Female contact : PhBz Tin Plated.
 - Item Ⓓ Spring clamp : Stainless steel
 - Item Ⓔ Terminal down housing: Thermoplastic (UL94V-0)
- Electrical: cULus

- △ ● Voltage rating: 300 V
- Current rating: 5.5 A
- Wire range:
- Solid wire(AWG): 16-24
- Stranded wire(AWG): 16-24
- Wire strip length: 9-10 mm
- △ ● Withstanding Voltage: 1.6 KV
- Operating temperature: -40°C to +115°C
- △ ● Safety Approval:
- Critical dimension:

KD xx 3 0 x 0 xxxx G

No. OF POLES _____
 02: 2 POLES
 :
 24: 24 POLES

COLOR _____
 0: BLACK
 5: GREEN (RAL 6018/T)
 6: BLUE
 8: GREY (RAL 7035/D)

G: Pb<40000ppm
 0000: "@" Logo (Standard)
 000A: "ANYTEK" Mark
 Any special item by customer request.
 please contact sales department.

Dimension

DIM.P	(N-1)×3.81
DIM.L	N×3.81+0.39

N=Number of poles

	TOL			
	2p-6p	7p-12p	13p-16p	17p-24p
Dim.P	±0.15	±0.20	±0.25	±0.30
Dim.L	±0.15	±0.25	±0.30	±0.40

ANYTEK		CUSTOMER COPY										
ALL RIGHTS RESERVED. REPRODUCTION OR ISSUE TO THIRD PARTIES IN ANY FORM WHATSOEVER IS NOT PERMITTED WITHOUT WRITTEN AUTHORITY FROM THE PROPRIETOR. PROPERTY OF ANYTEK TECHNOLOGY CO., LTD												
TITLE	KD 3.81mm W/O Flange Series											
PART NO.	KDxx30x0xxxxG	DWG NO.	8KD0301									
APPROVED	CHECKED	DESIGNED	DRAWN	CUST NO.								
		Steven 2011.05.28	Runner 2010.05.12									
				<table border="1" style="font-size: x-small;"> <tr> <td>UNIT: mm</td> <td>X. ±0.50</td> </tr> <tr> <td>SCALE: NONE</td> <td>X.X ±0.30</td> </tr> <tr> <td></td> <td>X.XX ±0.10</td> </tr> <tr> <td></td> <td>X° ±1°</td> </tr> </table>	UNIT: mm	X. ±0.50	SCALE: NONE	X.X ±0.30		X.XX ±0.10		X° ±1°
UNIT: mm	X. ±0.50											
SCALE: NONE	X.X ±0.30											
	X.XX ±0.10											
	X° ±1°											
SHEET: 01/01				REV.: C								