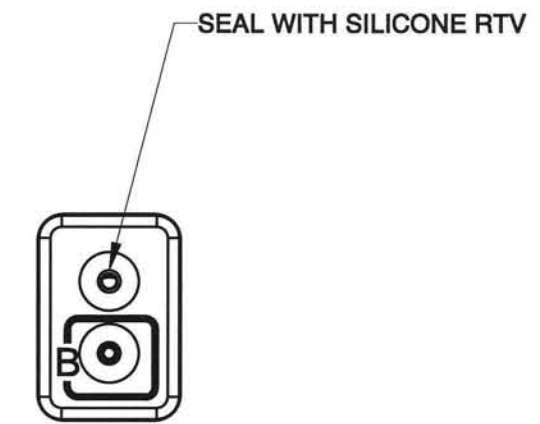
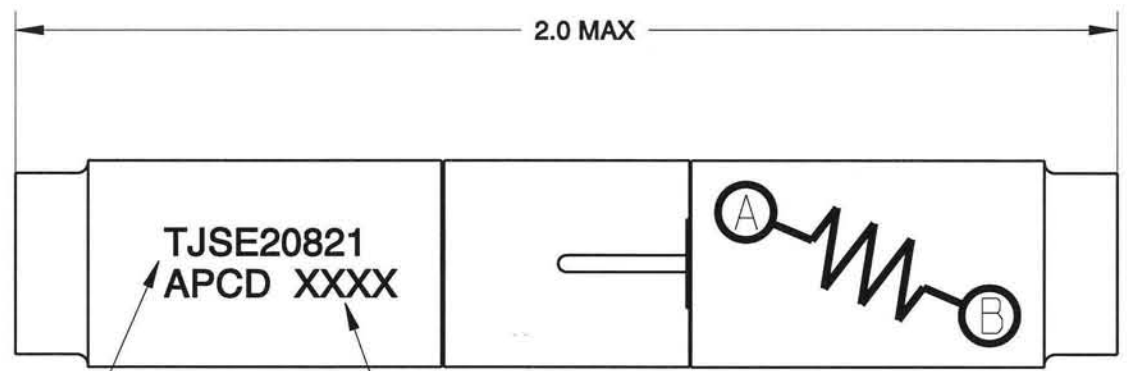
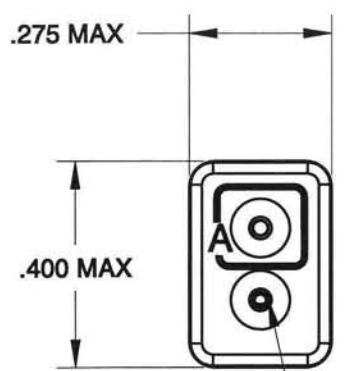


TJSE20821

REV	ECN	APP'D
1		



WHITE MARKING  
.06 HT

DATE CODE

SEAL WITH SILICONE RTV

TJSE20821

TJSE20821

- NOTES:
- MATERIALS:  
HOUSING: POLYETHERIMIDE, COLOR BLACK  
GROMMET: SILICONE ELASTOMER, COLOR BLUE  
INTERNAL CONTACT: COPPER ALLOY, GOLD PLATED,  
PER MIL-G-45204, TYPE I, GRADE C, CLASS I.  
CONTACT RETAINER: STAINLESS STEEL
  - SPLICE ACCEPTS (2) MATING M39029/1-101 CONTACTS (NOT INCLUDED)
  - PART COMPLIES TO ALL REQUIREMENTS PER MIL-T-81714.
  - RESISTOR: MIIL-PRF-39017,  $1M\Omega$ ,  $1/4W \pm 1\%$

<b>DIMENSIONS</b> ANSI Y14.5M UNITS: INCHES Pro/E FILE	<b>TOLERANCES</b> .XX $\pm 0.01$ .XXX $\pm 0.005$ ANGLES $\pm 2.0^\circ$	<b>PROJECTION</b> 	<b>Amphenol Pcd</b> SPECIFICATION DRAWING		<b>TITLE</b> WIRE SPLICE, ELECTRONIC RESISTOR, $1M\Omega$ , $1/4W$ SIZE 20		
			DRWN D. LANG 05/08/06	SIZE <b>B</b> DWG NO. <b>TJSE20821</b>		ENGR	REV <b>1</b>
<b>ORIGINAL</b> 	THIS DOCUMENT CONTAINS PROPRIETARY INFORMATION WHICH IS THE CONFIDENTIAL PROPERTY OF AMPHENOL PCD INC., PEABODY, MA		APPD				