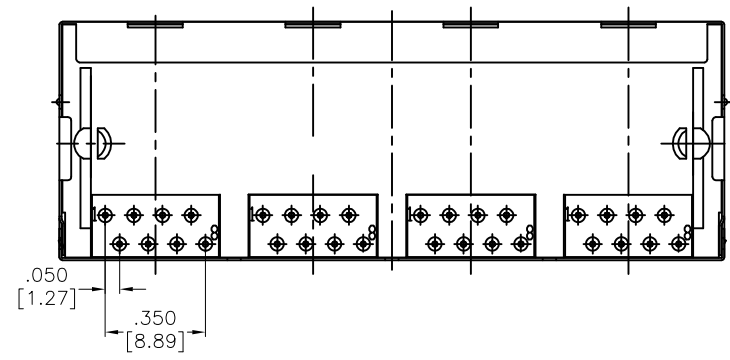
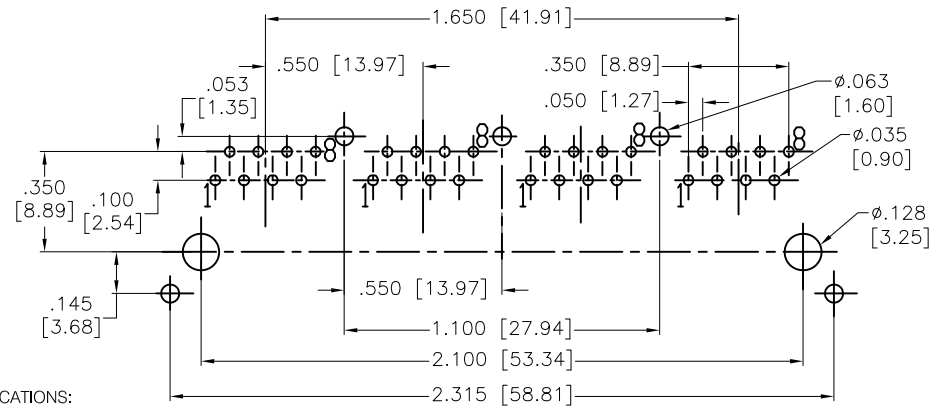
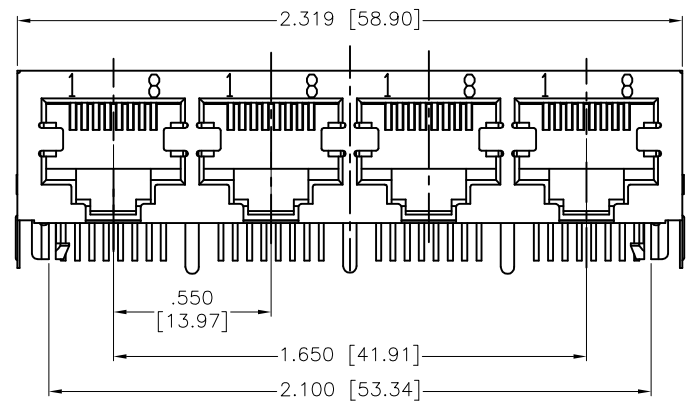
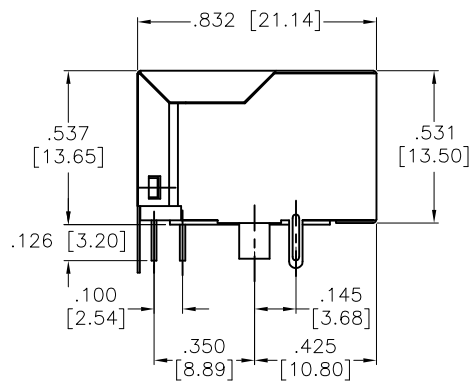


APPROVED: \_\_\_\_\_  
 DATE: \_\_\_\_\_ TITLE: \_\_\_\_\_

Rev	AWO #	Description	Date	Appr
-		RELEASED	04/28/05	
A		REDRAWN	6/3/15	AY/AC
B		UPDATE DRAWING	10/2/18	AY/OC



SPECIFICATIONS:  
 Material:  
 Insulator: PBT, rated UL 94V-0  
 Insulator color: Black  
 Contacts: Phosphor Bronze  
 Shield: Brass, Nickel plated  
 Contacts Plating:  
 Round contact  
 Gold over Nickel underplate overall  
 Flat contact  
 Gold over Nickel underplate on contact area,  
 Tin over Nickel underplate on solder tails  
 Electrical:  
 Voltage rating: 150 VAC rms  
 Current rating: 1.5 Amps  
 Contact resistance: 20 mohms max  
 Insulation resistance: 1000 Mohms min @ 500 VDC  
 Dielectric withstanding voltage:  
 Contact to Contact: 1,000 VDC or AC Peak for 1 minute  
 Contact to Screen and Test panel: 1,500 VDC or AC Peak for 1 minute  
 Temperature Rating:  
 Operating temperature: -40°C to +85°C  
 Environmental:  
 Lead free, RoHS compliant.

RECOMMENDED PCB LAYOUT



UNLESS OTHERWISE SPECIFIED ALL DIMENSIONS ARE INCHES [MM] TOLERANCES: EXCEPT AS NOTED	
INCHES	HOLES
.X ± .10	Ø.X ± .10
.XX ± .020	Ø.XX ± .015
.XXX ± .015	Ø.XXX ± .010
APPROVALS	
DRAWN	DATE
SLS	04/28/05
CHECKED	
APPROVED	

**ADAM TECH** INTERCONNECTS

909 Rahway Avenue,  
 Union, NJ 07083  
 Phone: 908-687-5000  
 Fax: 908-687-5710

TITLE: MODULAR GANGED JACK, 4 PORT, 8P8C,  
 RIGHT ANGLE SHIELDED

SIZE	PART NO.	REV.
X	MTJG-4-88GX1-FSB	B

REF: S00005C SCALE: NTS SHEET 1 OF 1

D

D

C

C

B

B

A

A