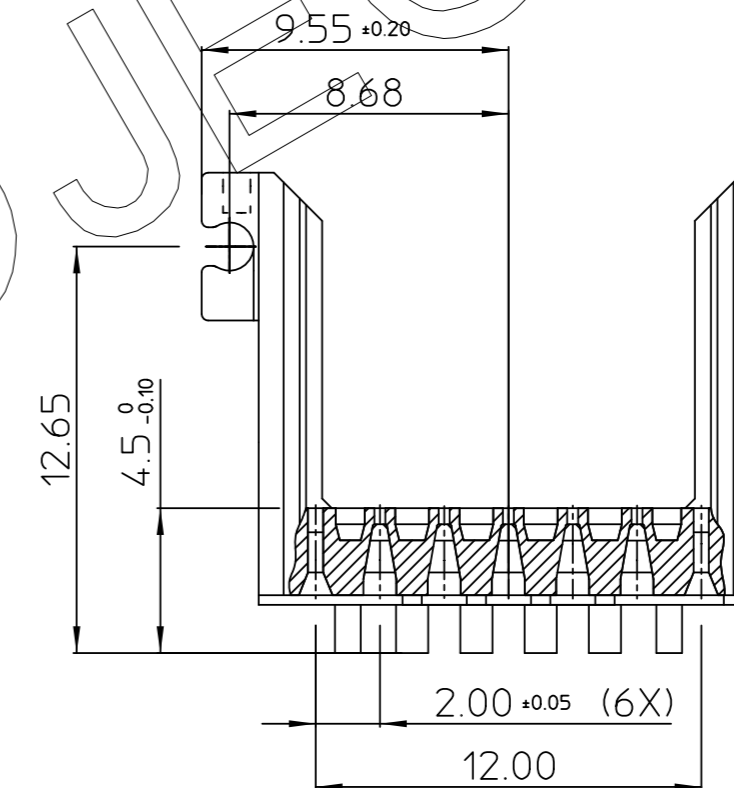
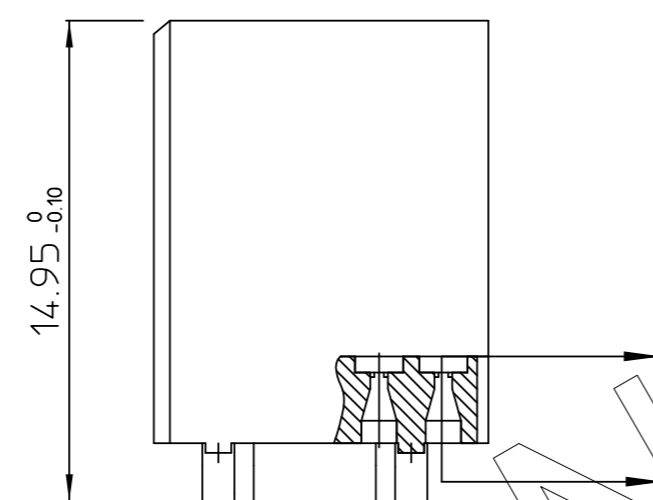
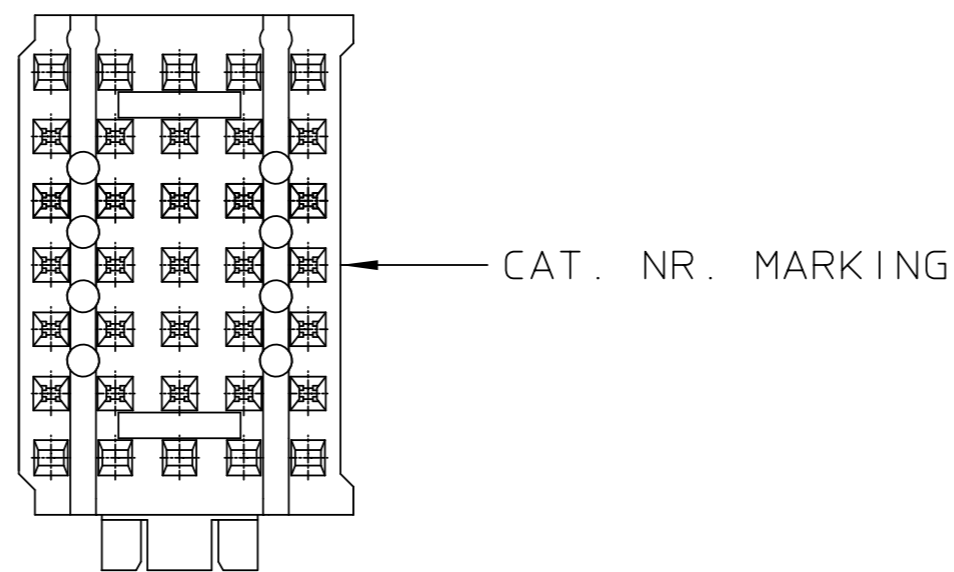


GEN. ST.	01	02	03	04	05	06	07	08	0D	50	60	70	80	90																	
INT. ST.	10	11	12	13	14	18	20	31	32	33	34	38	39	40	42	43	44	45	46	48	56	70	72	73	75	76	81	82	83	84	88

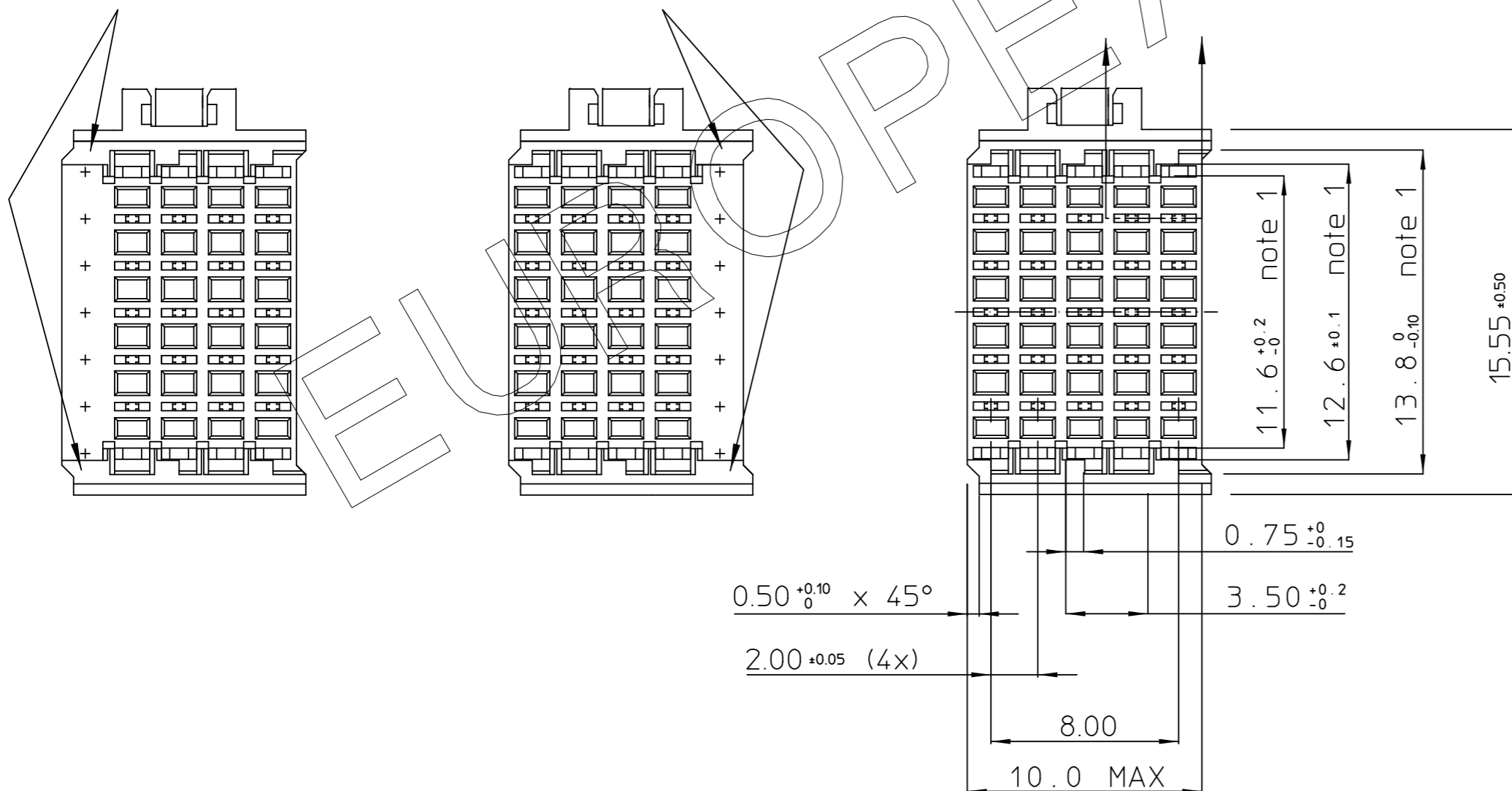
REV.	DATE	DESCRIPTION	BY	C'K'D'
A	13-09-01	CONVERSION REVISION 04	KN	



DISCRIMINATION IN POS. 1

DISCRIMINATION IN POS. 5

NO DISCRIMINATION



PART NR.		
HM2H04P115	NO DISCRIMINATION	AVAILABLE
HM2H03P115	DISCRIMINATION IN POS. 5	AVAILABLE
HM2H02P115	DISCRIMINATION IN POS. 1	AVAILABLE

NOTES: 1. MEASURED AT THE BOTTOM  
2. MATERIAL: GLASSREINFORCED POLYESTER UL94 - V0

1DEC ±0,2 1DEC 2DEC ±0,1 2DEC ANGLES ±1° HOEKEN	<b>APPR.</b>	<b>DATE</b>	<b>SIGN.</b>	REAR HEADER WITH LOCKING DEVICE (25 POS)
WE RESERVE THE RIGHT TO CHANGE DIMENSIONS OR REQUIREMENTS WITHOUT PRIOR NOTICE.	DRAFT	05-01-95	W.Panis	<b>CAT. No.</b> HM2H0-P115
ALL DIMENSIONS IN MM	CHECKED			SCALE
	PROD. MGR.			<b>FCI</b> FCI MECHELEN N.V. A. SPINOYSTRAAAT 8, 2800 MECHELEN
ALLE AFMETINGEN IN MM	PR. ENG. MGR.			3 / 1
	PR. MGT. MGR.			BS,C ,201630,034
	<b>REFERENCES / REFERENTIES</b>			A
				DRAWING No. CUSTOMER DRAWING REVISION

THIS IS OUR EXCLUSIVE PROPERTY. IT IS NOT TO BE COPIED, REPRINTED OR DISCLOSED TO A THIRD PARTY, NOR USED FOR MANUFACTURING WITHOUT OUR WRITTEN CONSENT, AND HAS TO BE RETURNED TO US IN CASE OF NO USAGE

DIT IS ONZE EIGENDOM EN MAG NOCH NAGEMAAKT, HERDRUKT, OVERGEMAAKT AAN DERDEN, NOCH VOOR FABRIKATIE GEBRUIKT WORDEN, ZONDER ONZE SCHRIFTELIJKE TOELATING. BIJ NIET GEBRUIK IS TERUGZENDING VERPLICHT.