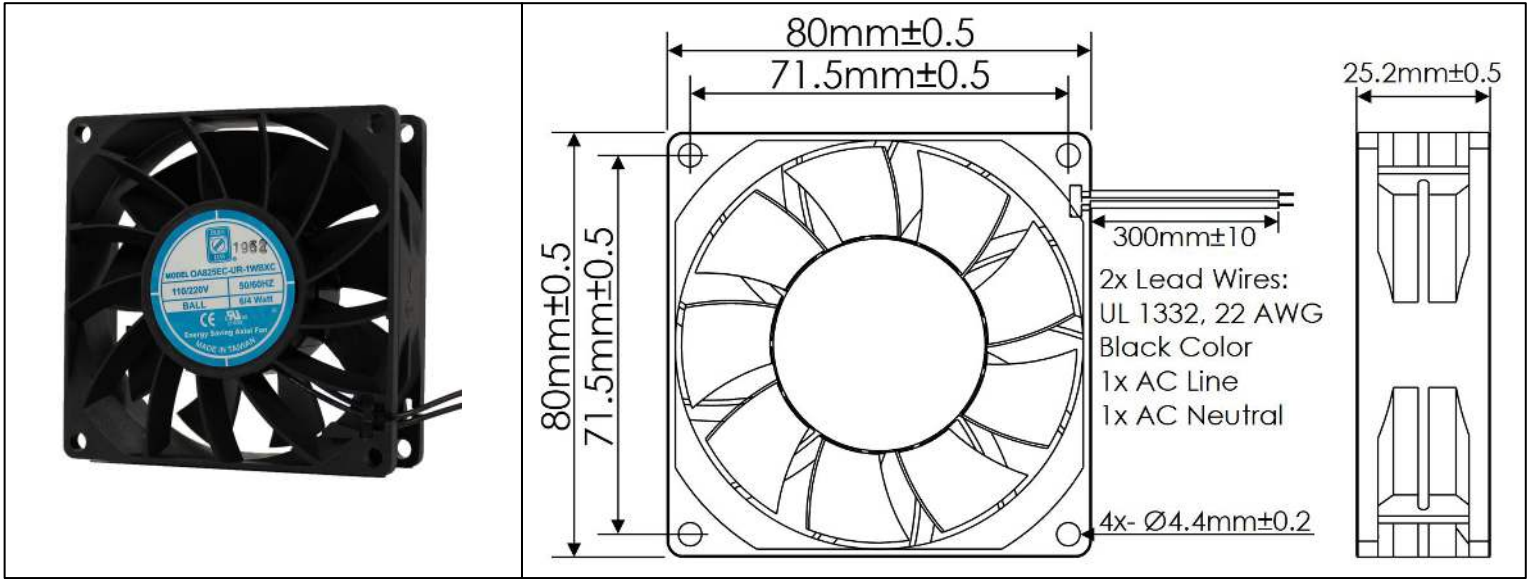


OA825EC XC Series



EC Fan - Universal Voltage
80mm x 25mm (3.15" x 0.98")



Frame	PBT, UL94 V-0 Plastic	<u>Operating Temperature</u> -20°C ~ +65°C <u>Storage Temperature</u> -20°C ~ +75°C <u>Life Expectancy</u> 70,000 Hours (L10 at 40C) Weight: 0.17 lbs	
Impeller	PBT, UL94 V-0 Plastic		
Connection	2x Wire Leads, 22 AWG, 300mm		
Motor	AC-DC Energy Saving, Electronically Commutated, Electronically Protected		
Bearing System	Ball Bearings		
Dielectric Strength	1500VAC/min, <1mA		
Insulation Resistance	≥10MΩ @ 500 VDC		

Part Number	OA825EC-UR-1WBXC
Rated Voltage (Volts AC)	110/220
Voltage Range (Volts AC)	85 ~ 265
Frequency (Hertz)	50/60
Rated Power (Watts)	6 ~ 4 (2.2)W
Rated Speed (RPM)	3000
Max Airflow (CFM)	40.2
Noise Level (dBA)	38
Max Static Pressure ("H ₂ O)	0.2