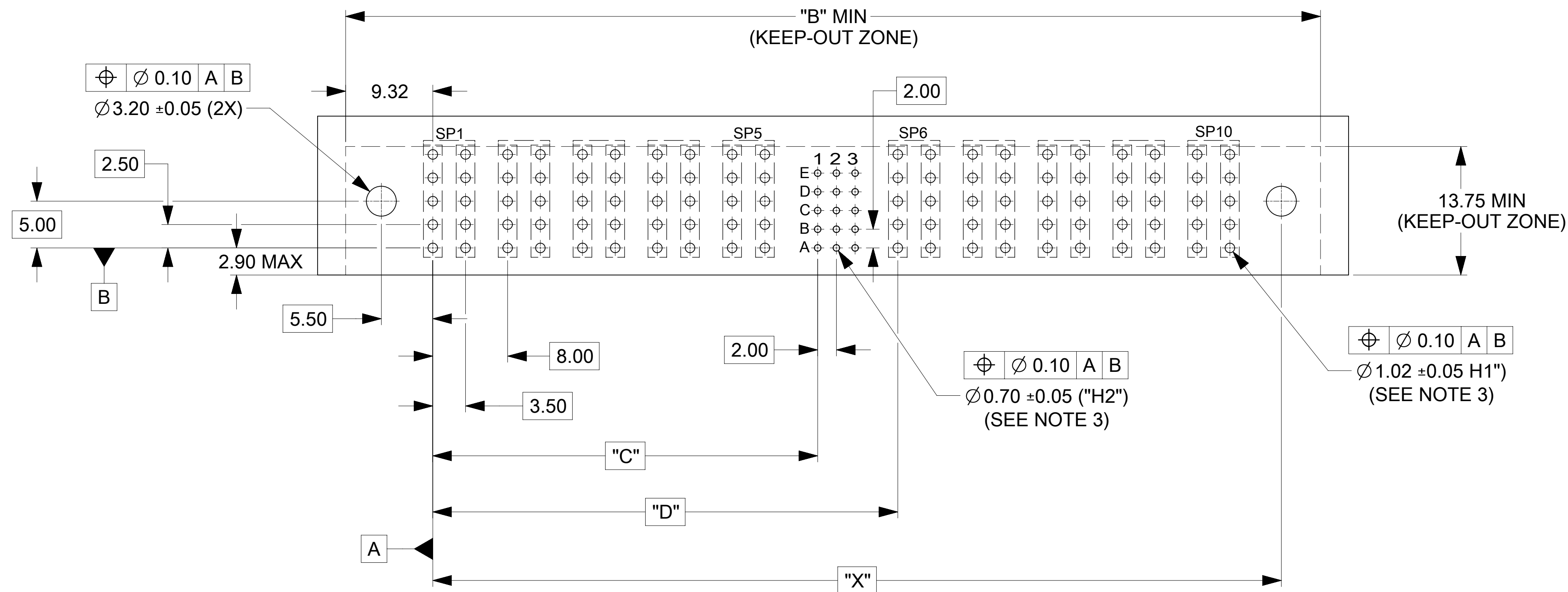


- NOTES:
- MATERIAL:
    - HOUSINGS: LCP UL94, V-0, COLOR: BLACK
    - TERMINALS: HIGH CONDUCTIVITY COPPER ALLOY
    - PLATING: 1.27 MICROMETER (50 MICROINCH) NICKEL OVERALL WITH 2.54 MICROMETER (100 MICROINCH) SELECTIVE TIN ON TAILS AND 0.762 MICROMETER (30 MICROINCH) SELECTIVE GOLD ON CONTACT AREA
  - PACKAGING: ASSEMBLIES TO BE TRAY PACKED PER PACKAGING SPEC: 1710881001-PK
  - PLATED THRU HOLE SIZE, REFER TO PS-171088-0000 FOR DETAILS
  - PRODUCT SPEC: PS-171088-0000
  - PRODUCT TO MEET RoHS REQUIREMENTS
  - ASSEMBLY MATES TO MOLEX RECEPTACLE ASSEMBLY P/N 171089-\*\*\*\* AND 171090-\*\*\*\* (SEE TABLE IN SHEET 2)
  - TAIL DESIGN: COMPLIANT TAIL
  - POWER AND SIGNAL CONTACTS ARE LUBRICATED.
  - APPLICATION SPEC: AS-46436-100..
  - MOLEX LOGO TO BE LOCATED APPROXIMATELY AS SHOWN.

THIS DRAWING CONTAINS INFORMATION THAT IS PROPRIETARY TO MOLEX ELECTRONIC TECHNOLOGIES, LLC AND SHOULD NOT BE USED WITHOUT WRITTEN PERMISSION									
DIMENSION UNITS	SCALE	CURRENT REV DESC: ADDED ISO VIEWS							
mm	3:1								
GENERAL TOLERANCES (UNLESS SPECIFIED)									
ANGULAR TOL	± 0.5°								
4 PLACES	±	EC NO: 689821		2021/12/15					
3 PLACES	±	DRWN: KSUTAR		2021/12/22					
2 PLACES	± 0.13	CHK'D: GJEEVANSURES		2022/02/14					
1 PLACE	± 0.25	APPR: HTHYAGARAJ							
0 PLACES	±	INITIAL REVISION:							
DRAFT WHERE APPLICABLE MUST REMAIN WITHIN DIMENSIONS		DRWN: KSUTAR		2021/09/23					
		APPR: HTHYAGARAJ		2021/11/08					
THIRD ANGLE PROJECTION		DRAWING		SERIES					
D-SIZE		171088		MATERIAL NUMBER		CUSTOMER		SHEET NUMBER	
				SEE TABLE		GENERAL MARKET		1 OF 4	

RECOMMENDED PCB LAYOUT AND KEEP-OUT ZONE FOR G-(1SP TO 5SP)-30S-(1SP TO 5SP)-G



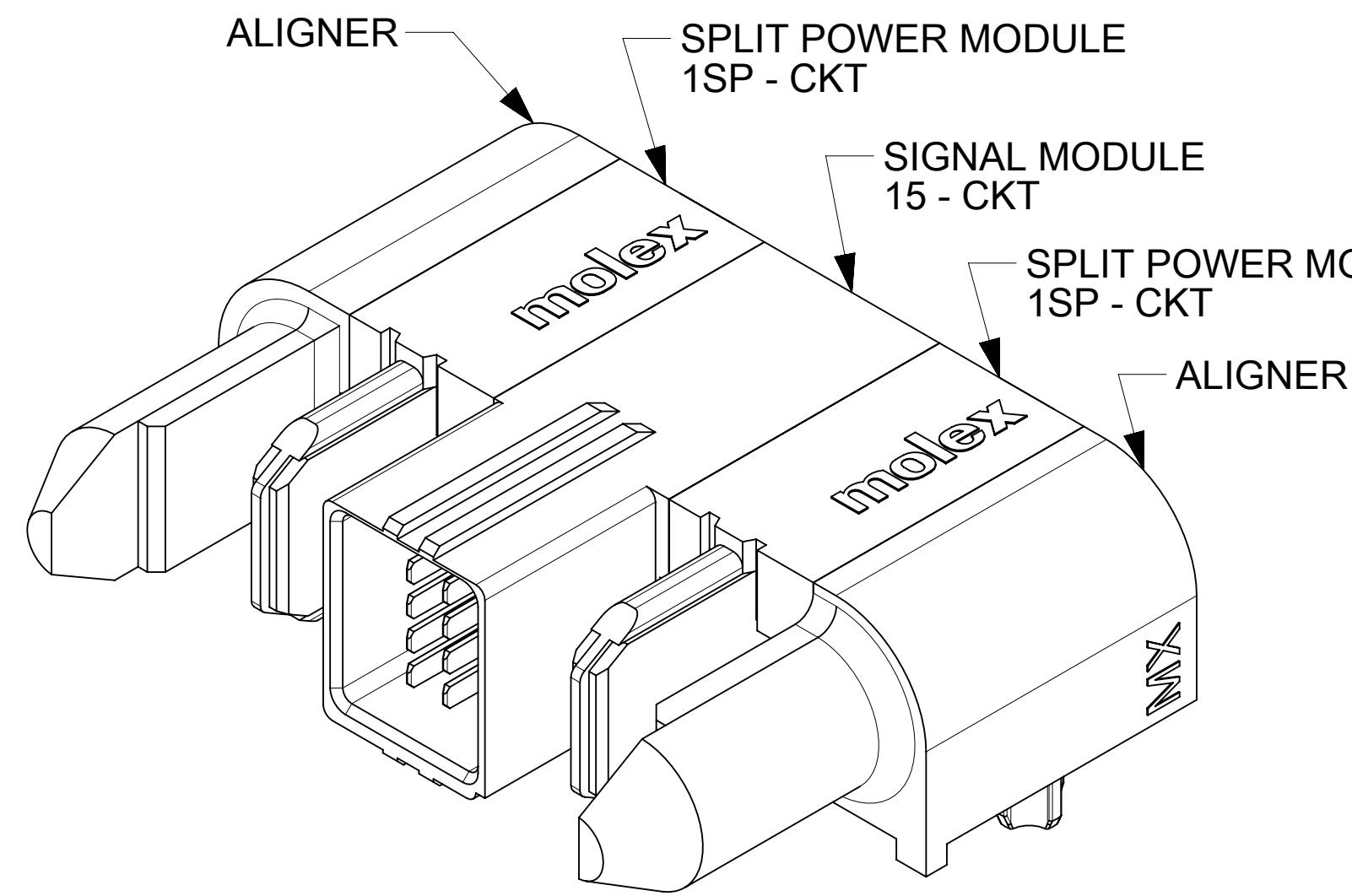
RECOMMENDED PCB LAYOUT AND KEEP-OUT ZONE FOR G-(1SP TO 5SP)-15S-(1SP TO 5SP)-G

REFER TO BELOW TABLE FOR DIMENSIONS.

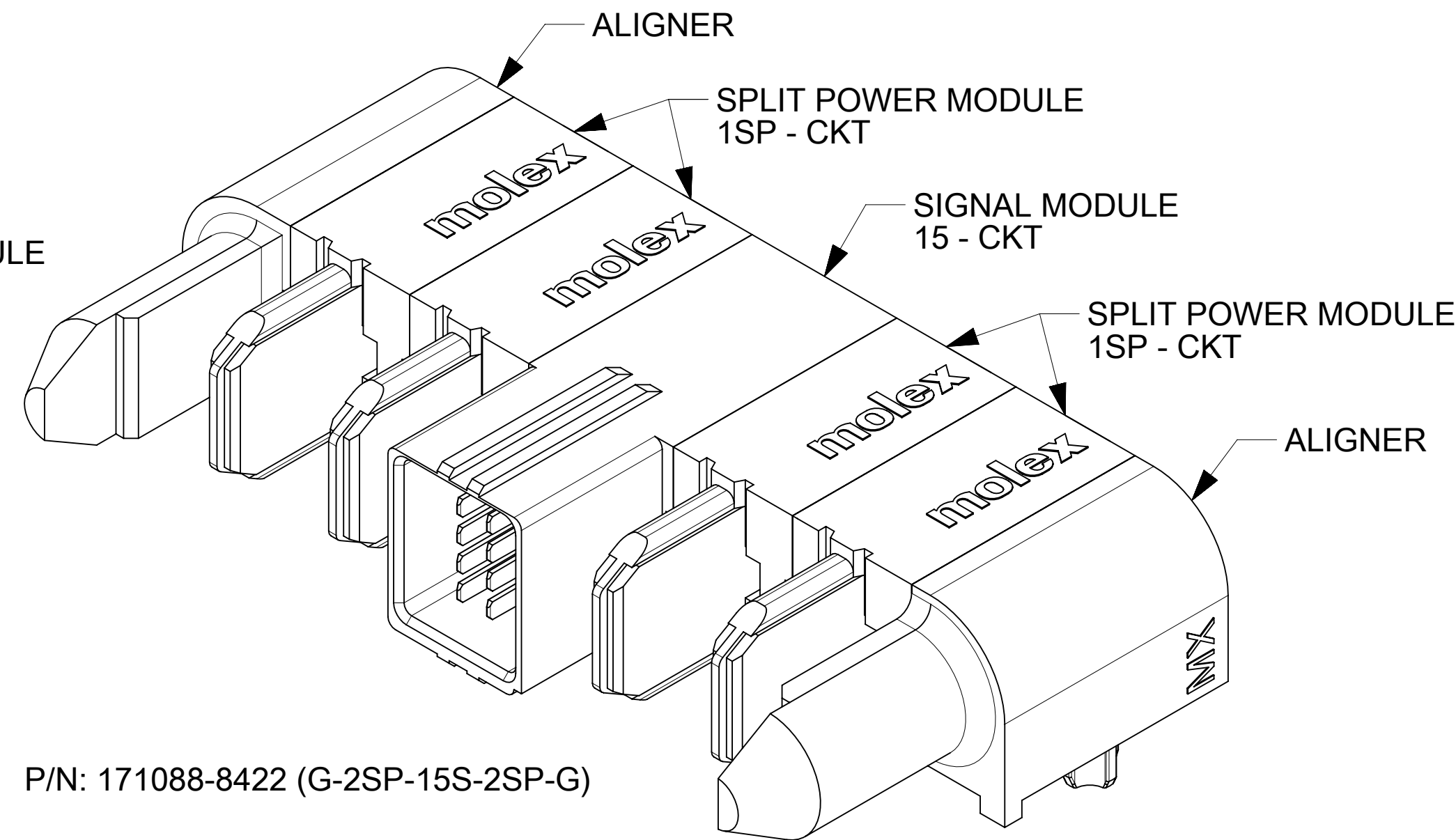
FG P/N	CONFIGURATION	POWER CKT SIZE	SIGNAL CKT SIZE	DIM "A" (IN MM)	DIM "B" (IN MM)	DIM "C" (IN MM)	DIM "D" (IN MM)	DIM "X" (IN MM)	HOLES COUNT "H1"	HOLES COUNT "H2"	MATES WITH R/A ASSY P/N	MATES WITH VERT ASSY P/N
1710888421	G-1SP-15S-1SP-G	1	15	39.21	40.21	9.14	17.71	26.71	20	15	1710908421	1710898421
1710888422	G-2SP-15S-2SP-G	2	15	55.21	56.21	17.14	25.71	42.71	40	15	1710908422	1710898422
1710888423	G-3SP-15S-3SP-G	3	15	71.21	72.21	25.14	33.71	58.71	60	15	1710908423	1710898423
1710888424	G-4SP-15S-4SP-G	4	15	87.21	88.21	33.14	41.71	74.71	80	15	1710908424	1710898424
1710888425	G-5SP-15S-5SP-G	5	15	103.21	104.21	41.14	49.71	90.71	100	15	1710908425	1710898425
1710888426	G-1SP-30S-1SP-G	1	30	45.21	46.21	9.14	23.71	32.71	20	30	1710908426	1710898426
1710888427	G-2SP-30S-2SP-G	2	30	61.21	62.21	17.14	31.71	48.71	40	30	1710908427	1710898427
1710888428	G-3SP-30S-3SP-G	3	30	77.21	78.21	25.14	39.71	64.71	60	30	1710908428	1710898428
1710888429	G-4SP-30S-4SP-G	4	30	93.21	94.21	33.14	47.71	80.71	80	30	1710908429	1710898429
1710888430	G-5SP-30S-5SP-G	5	30	109.21	110.21	41.14	55.71	96.71	100	30	1710908430	1710898430

THIS DRAWING CONTAINS INFORMATION THAT IS PROPRIETARY TO MOLEX ELECTRONIC TECHNOLOGIES, LLC AND SHOULD NOT BE USED WITHOUT WRITTEN PERMISSION

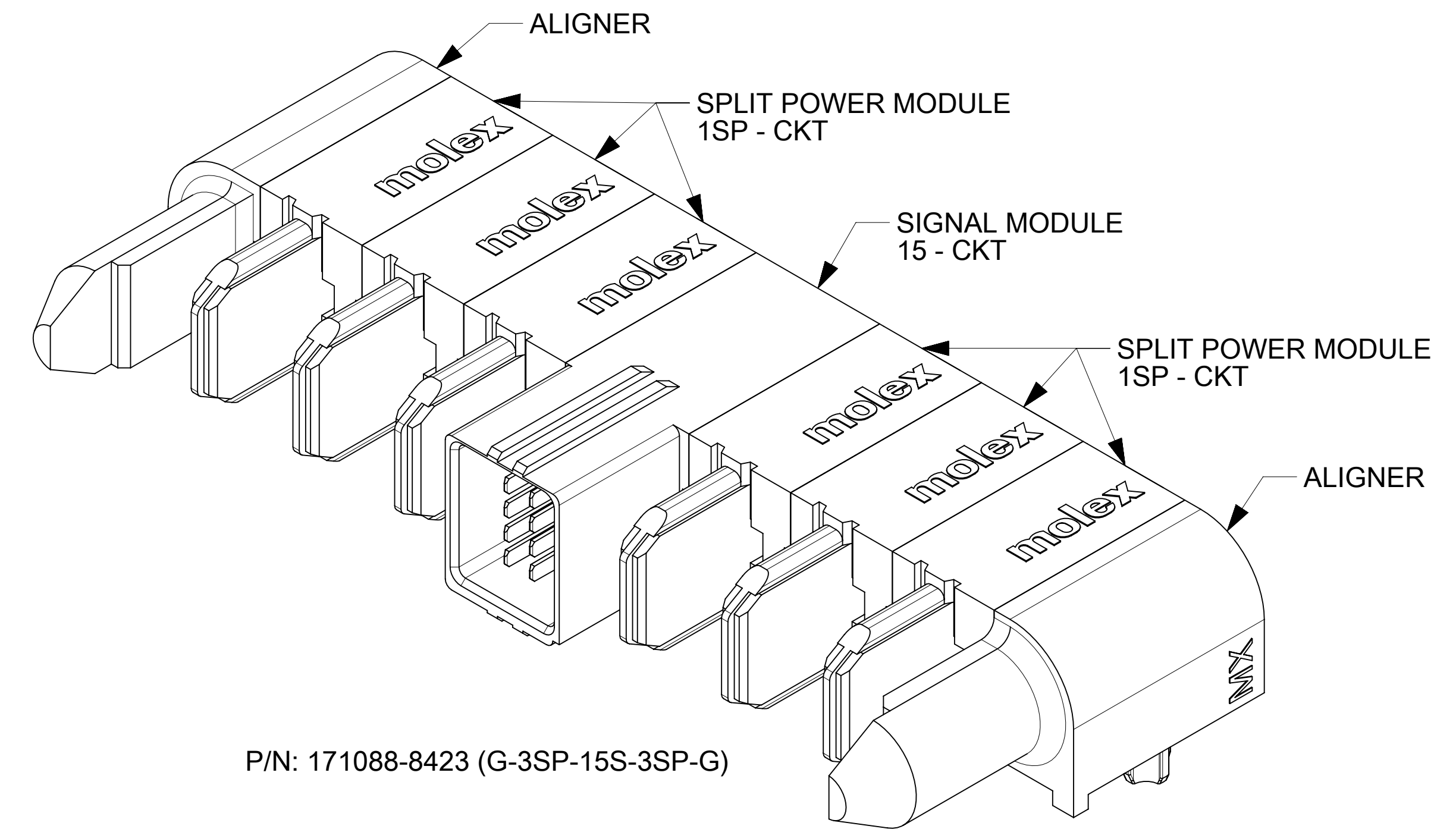
DIMENSION UNITS	SCALE	CURRENT REV DESC: ADDED ISO VIEWS					
mm	3:1						
GENERAL TOLERANCES (UNLESS SPECIFIED)		EC NO: 689821		<b>G-*SP-*S-*SP-G</b> R/A PLUG ASSY - TEN60 SPLIT POWER			
ANGULAR TOL ± 0.5°		DRWN: KSUTAR 2021/12/15					
4 PLACES ±		CHK'D: GJEEVANSURES 2021/12/22		<b>PRODUCT CUSTOMER DRAWING</b>			
3 PLACES ±		APPR: HTHYAGARAJ 2022/02/14					
2 PLACES ± 0.13		INITIAL REVISION:		DOCUMENT NUMBER: <b>1710888430</b> DOC TYPE: PSD    DOC PART: 000    REVISION: A1			
1 PLACE ± 0.25		DRWN: KSUTAR 2021/09/23					
0 PLACES ±		APPR: HTHYAGARAJ 2021/11/08		MATERIAL NUMBER: <b>171088</b> CUSTOMER: GENERAL MARKET    SHEET NUMBER: 2 OF 4			
DRAFT WHERE APPLICABLE MUST REMAIN WITHIN DIMENSIONS		THIRD ANGLE PROJECTION					
		DRAWING: <b>D-SIZE</b>					



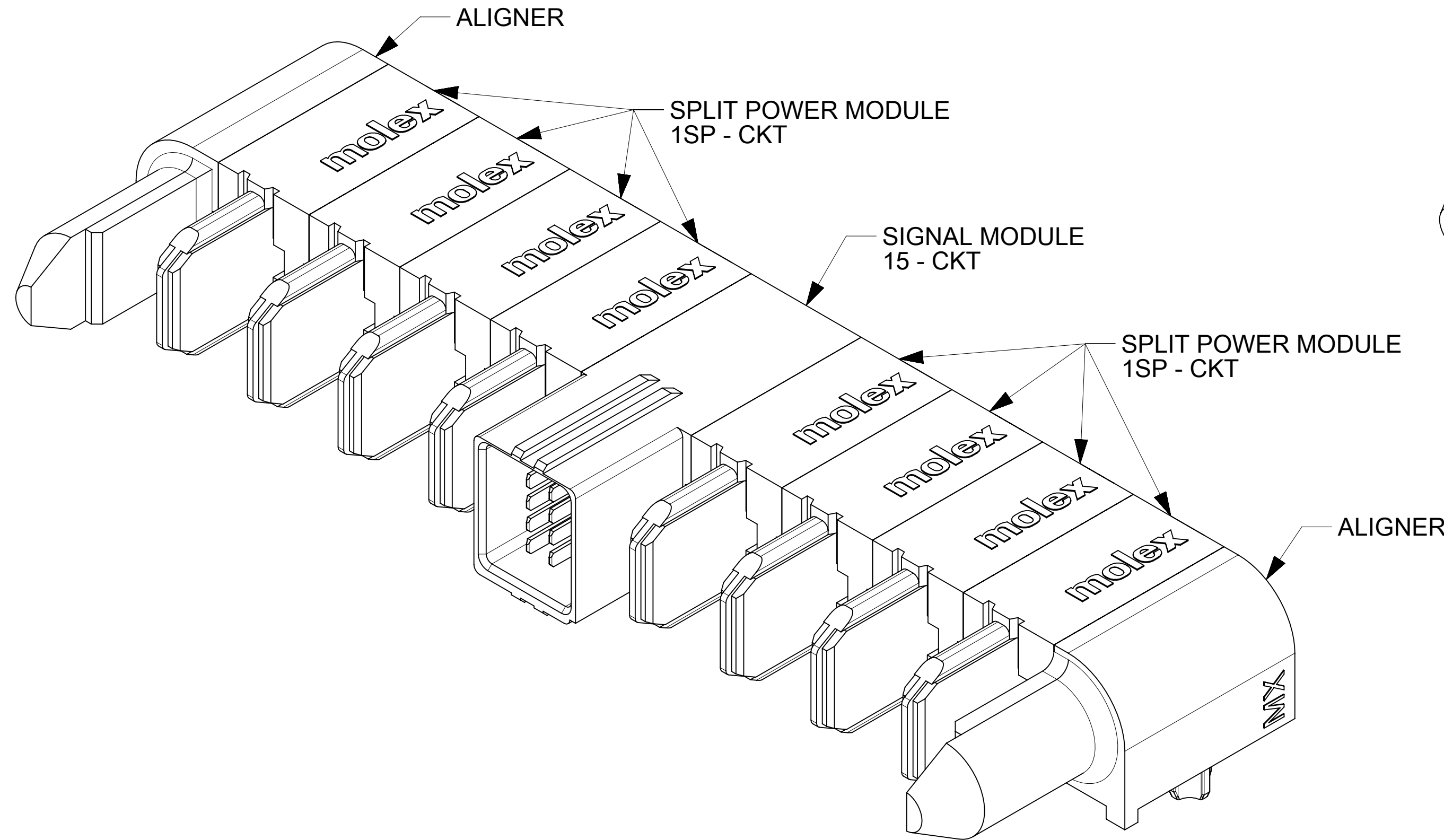
P/N: 171088-8421 (G-1SP-15S-1SP-G)



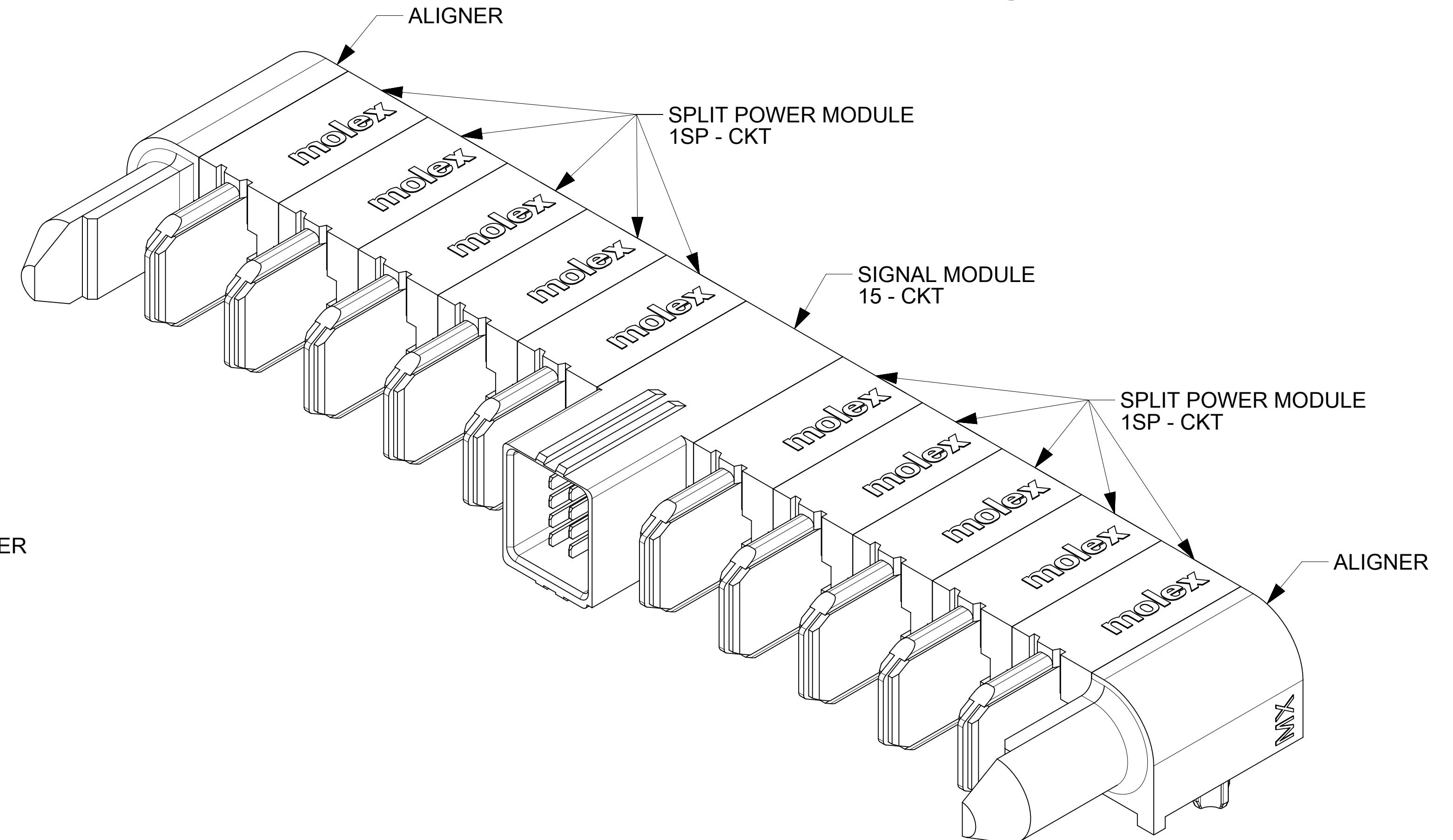
P/N: 171088-8422 (G-2SP-15S-2SP-G)



P/N: 171088-8423 (G-3SP-15S-3SP-G)

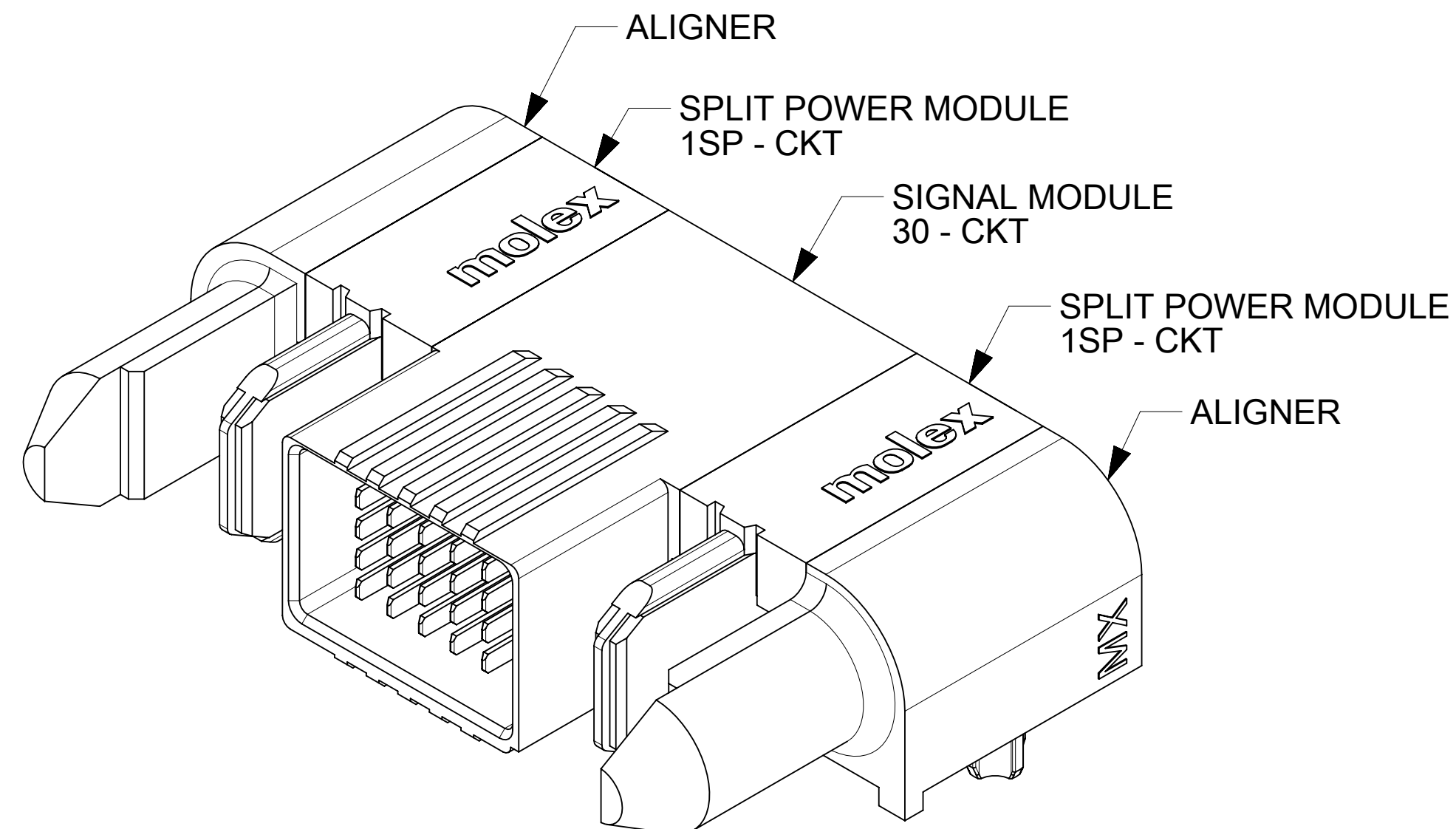


P/N: 171088-8424 (G-4SP-15S-4SP-G)

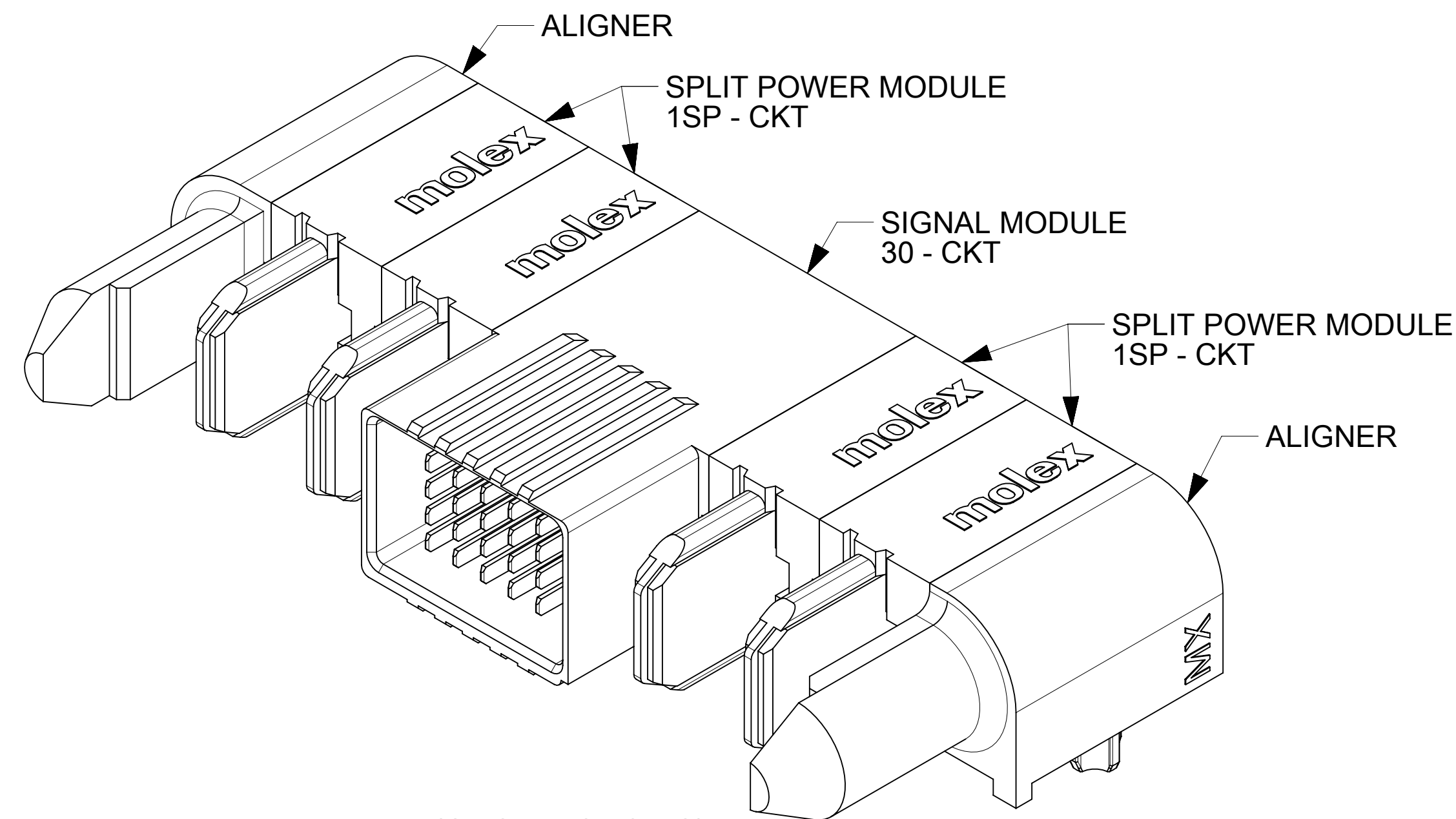


P/N: 171088-8425 (G-5SP-15S-5SP-G)

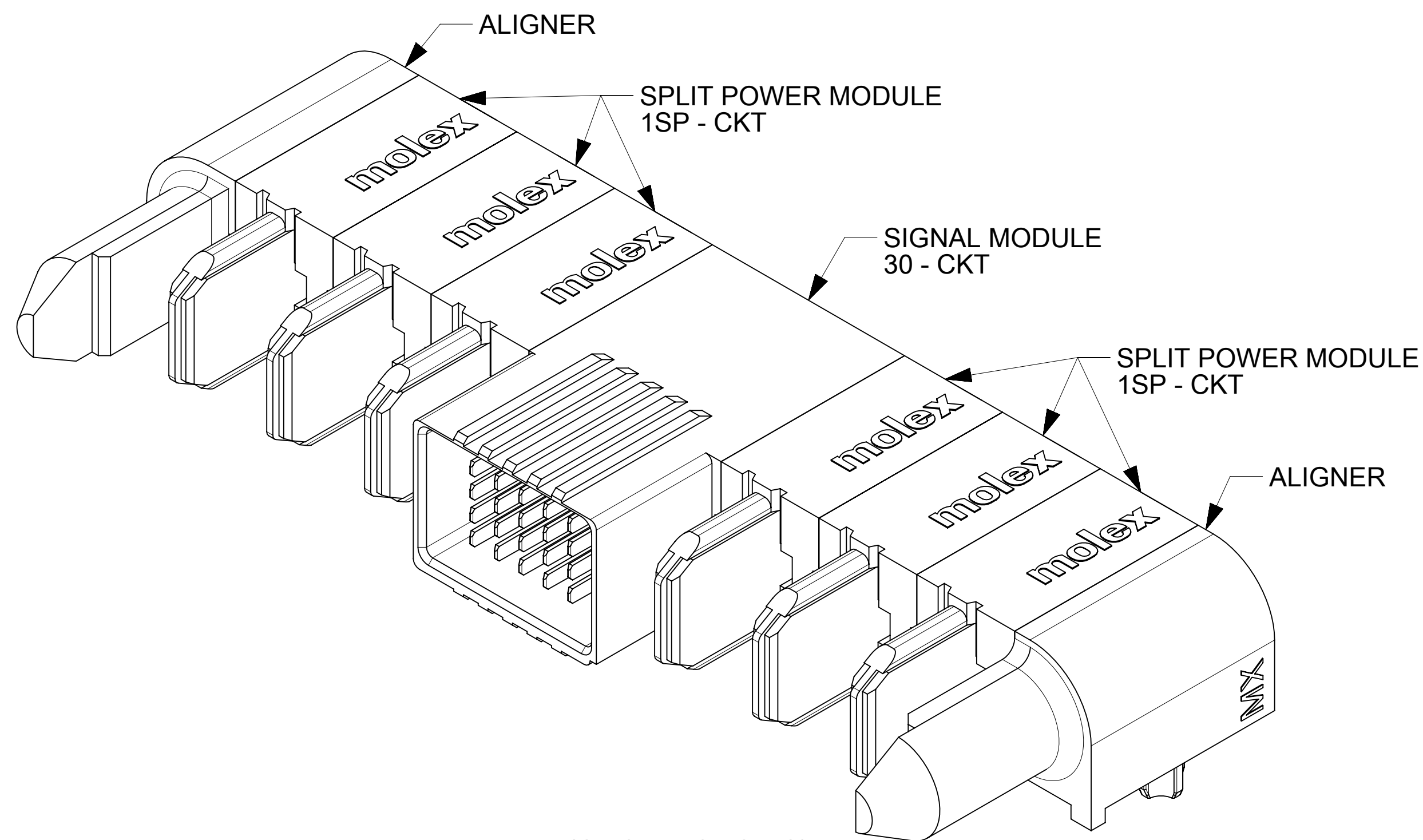
THIS DRAWING CONTAINS INFORMATION THAT IS PROPRIETARY TO MOLEX ELECTRONIC TECHNOLOGIES, LLC AND SHOULD NOT BE USED WITHOUT WRITTEN PERMISSION									
DIMENSION UNITS		SCALE		CURRENT REV DESC: ADDED ISO VIEWS					
mm		4:1							
GENERAL TOLERANCES (UNLESS SPECIFIED)									
ANGULAR TOL		± 0.5°							
4 PLACES		±		EC NO: 689821					
3 PLACES		±		DRWN: KSUTAR		2021/12/15			
2 PLACES		± 0.13		CHK'D: GJEEVANSURES		2021/12/22			
1 PLACE		± 0.25		APPR: HTHYAGARAJ		2022/02/14			
0 PLACES		±		INITIAL REVISION:					
DRAFT WHERE APPLICABLE		MUST REMAIN WITHIN DIMENSIONS		DRWN: KSUTAR		2021/09/23			
THIRD ANGLE PROJECTION		DRAWING		APPR: HTHYAGARAJ		2021/11/08			
D		S		S		171088			
MATERIAL NUMBER		CUSTOMER		DOCUMENT NUMBER		DOC TYPE		REVISION	
SEE TABLE		GENERAL MARKET		1710888430		PSD		000 A1	
SHEET NUMBER								3 OF 4	



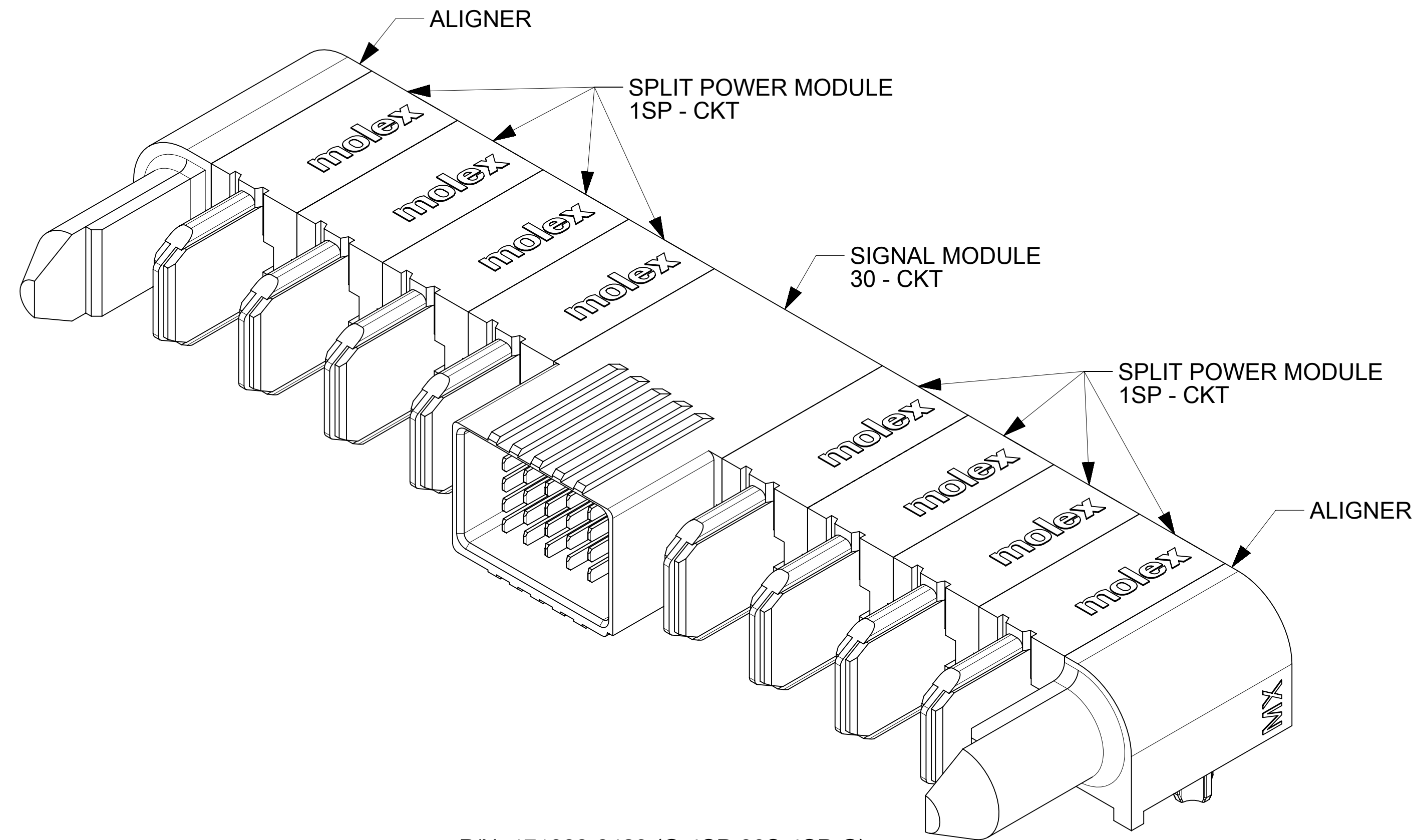
P/N: 171088-8426 (G-1SP-30S-1SP-G)





P/N: 171088-8427 (G-2SP-30S-2SP-G)



P/N: 171088-8428 (G-3SP-30S-3SP-G)



P/N: 171088-8429 (G-4SP-30S-4SP-G)

THIS DRAWING CONTAINS INFORMATION THAT IS PROPRIETARY TO MOLEX ELECTRONIC TECHNOLOGIES, LLC AND SHOULD NOT BE USED WITHOUT WRITTEN PERMISSION													
DIMENSION UNITS		SCALE		CURRENT REV DESC: ADDED ISO VIEWS									
mm		4:1											
GENERAL TOLERANCES (UNLESS SPECIFIED)				EC NO: 689821									
ANGULAR TOL ± 0.5°				DRWN: KSUTAR 2021/12/15				R/A PLUG ASSY - TEN60 SPLIT POWER					
4 PLACES ±				CHK'D: GJEEVANSURES 2021/12/22				PRODUCT CUSTOMER DRAWING					
3 PLACES ±				APPR: HTHYAGARAJ 2022/02/14				DOCUMENT NUMBER					
2 PLACES ± 0.13				INITIAL REVISION:				1710888430		DOC TYPE		DOC PART	
1 PLACE ± 0.25				DRWN: KSUTAR 2021/09/23				PSD		000		REVISION	
0 PLACES ±				APPR: HTHYAGARAJ 2021/11/08				A1					
DRAFT WHERE APPLICABLE MUST REMAIN WITHIN DIMENSIONS				THIRD ANGLE PROJECTION		DRAWING		SERIES		MATERIAL NUMBER		CUSTOMER	
						D-SIZE		171088		SEE TABLE		GENERAL MARKET	
DOCUMENT STATUS				P1		RELEASE DATE		2022/02/14 09:02:22		SHEET NUMBER		4 OF 4	