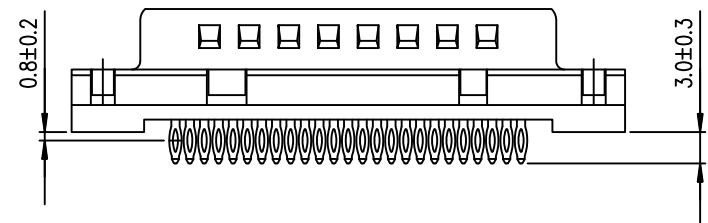
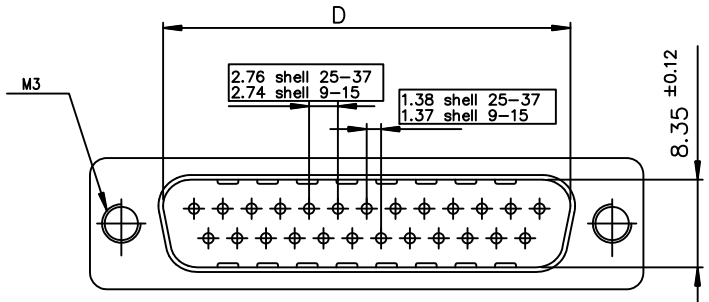
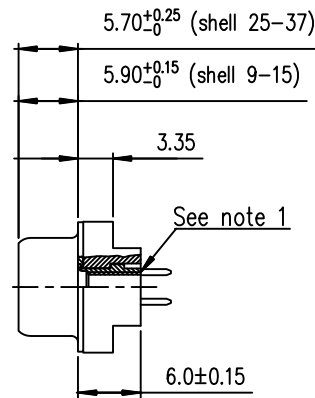
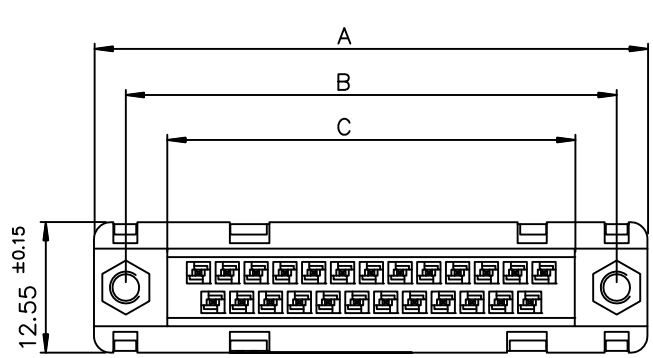


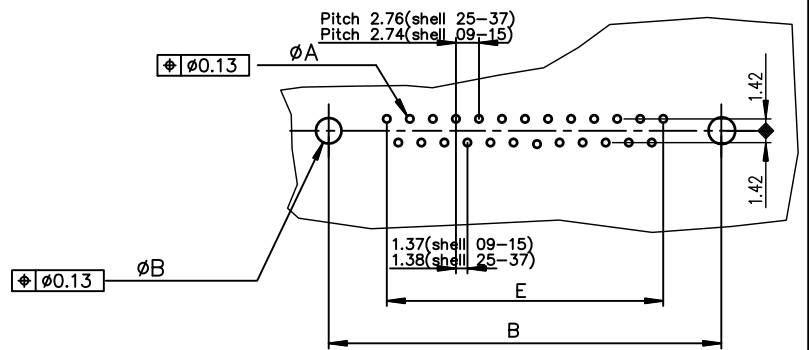


FCIconnect.com

Copyright FCI



PC board drilling dimensions(after plating)
(thickness ≤ 3.20±0.30mm)



Notes:

1) The nut can protrude above the surface of insulator but maintaining the footprint dimension 6±0.15 mm.

GENERAL CHARACTERISTICS AND ROHS INFORMATIONS:
SEE DRAWING C01-8646-0001

LEAD FREE PART NUMBER

SHELL	A±0.38	B±0.12	C±0.10	D±0.25	E±0.07	PART NUMBER	PART NUMBER	PART NUMBER
09	30.81	24.99	16.96	16.79	10.96	D09P91C4PL00LF	D09P91C6PL00LF	D09P91C8PL00LF
15	39.14	33.32	25.18	25.12	19.18	D15P91C4PL00LF	D15P91C6PL00LF	D15P91C8PL00LF
25	53.03	47.04	39.12	38.84	33.12	D25P91C4PL00LF	D25P91C6PL00LF	D25P91C8PL00LF
37	69.32	63.50	55.68	55.30	49.68	D37P91C4PL00LF	D37P91C6PL00LF	D37P91C8PL00LF
						gold flash	0.76µ gold	1.25µ gold

mat'l. code				surface <input checked="" type="checkbox"/> ISO 1302			tolerance <input checked="" type="checkbox"/> ISO 406 <input type="checkbox"/> ISO 1101			projection		product family D-SUB			
Ltr				ecn no			dr			date			title		
L				ELX-I-21256			AB			2015/07/14			MALE CONNECTOR DELTA-D STRAIGHT - PRESS FIT		
				angles			linear			MM			dwg no		
				0±2'			.0±0.1			scale 2:1			sheet 1 of 1		
							.00±0.1						size		
							.000±0.1						A3		
				dr			JARRY			1992/09/14			type		
				enr			ALIAS BABU			2015/07/14			Product Customer Drawing		
				chr			MITHUN PAUL			2015/07/14					
				app			BIJU K PAUL			2015/07/14					
sheet index		revision		L											
		sheet		1											