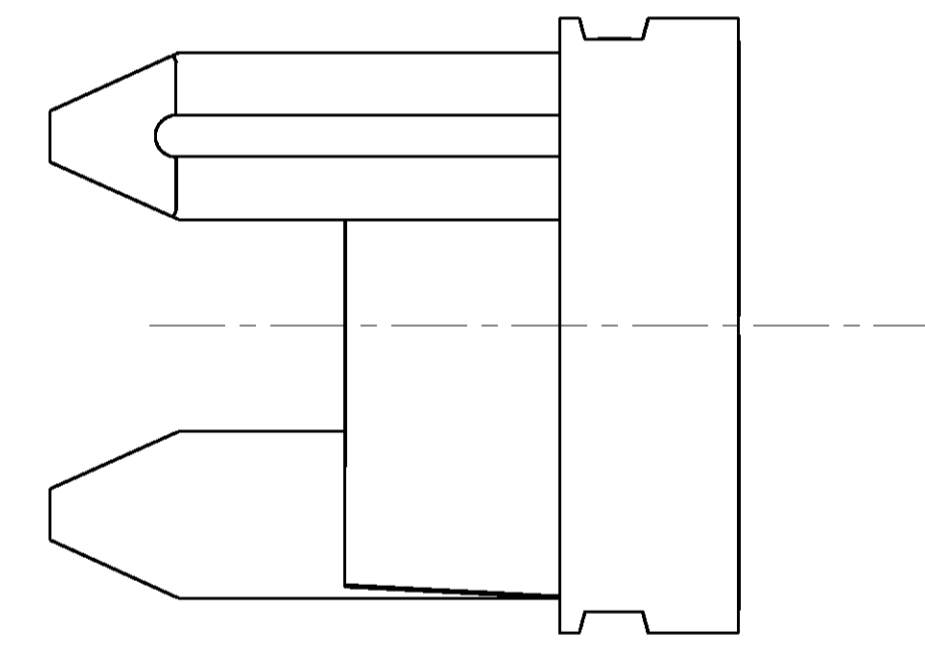
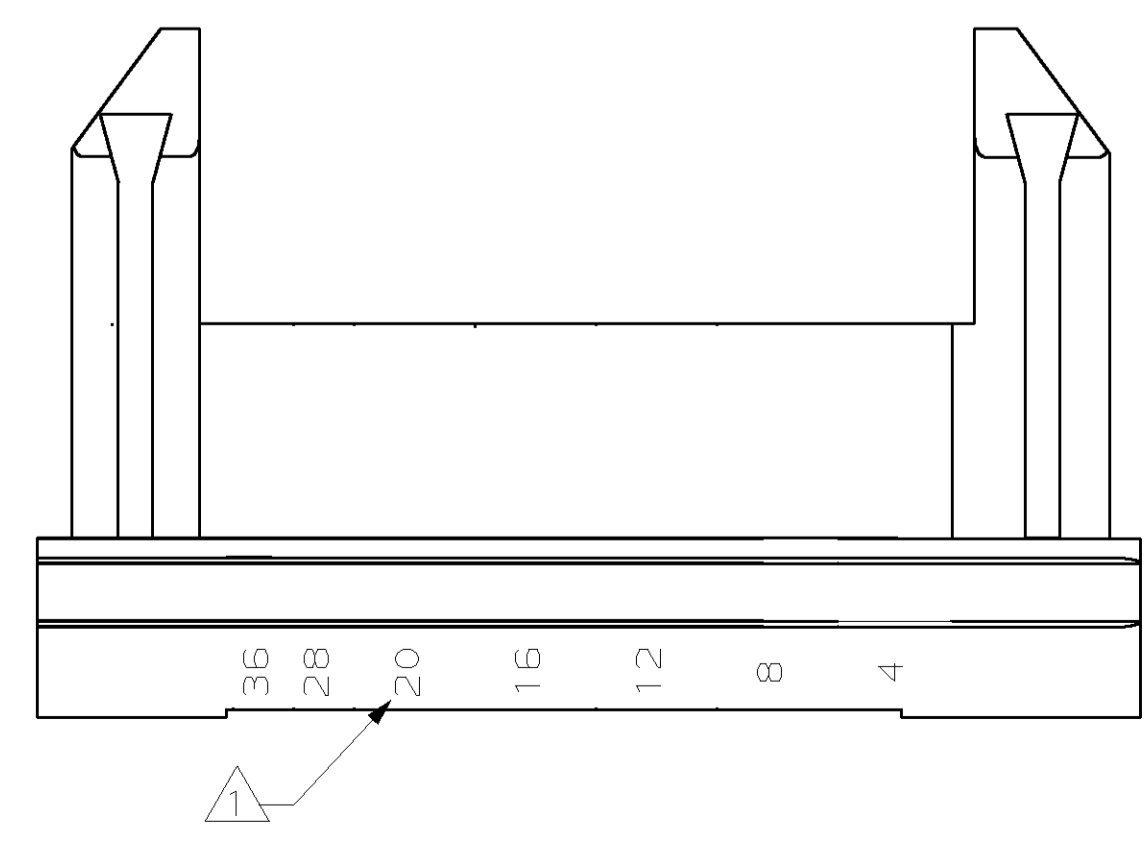
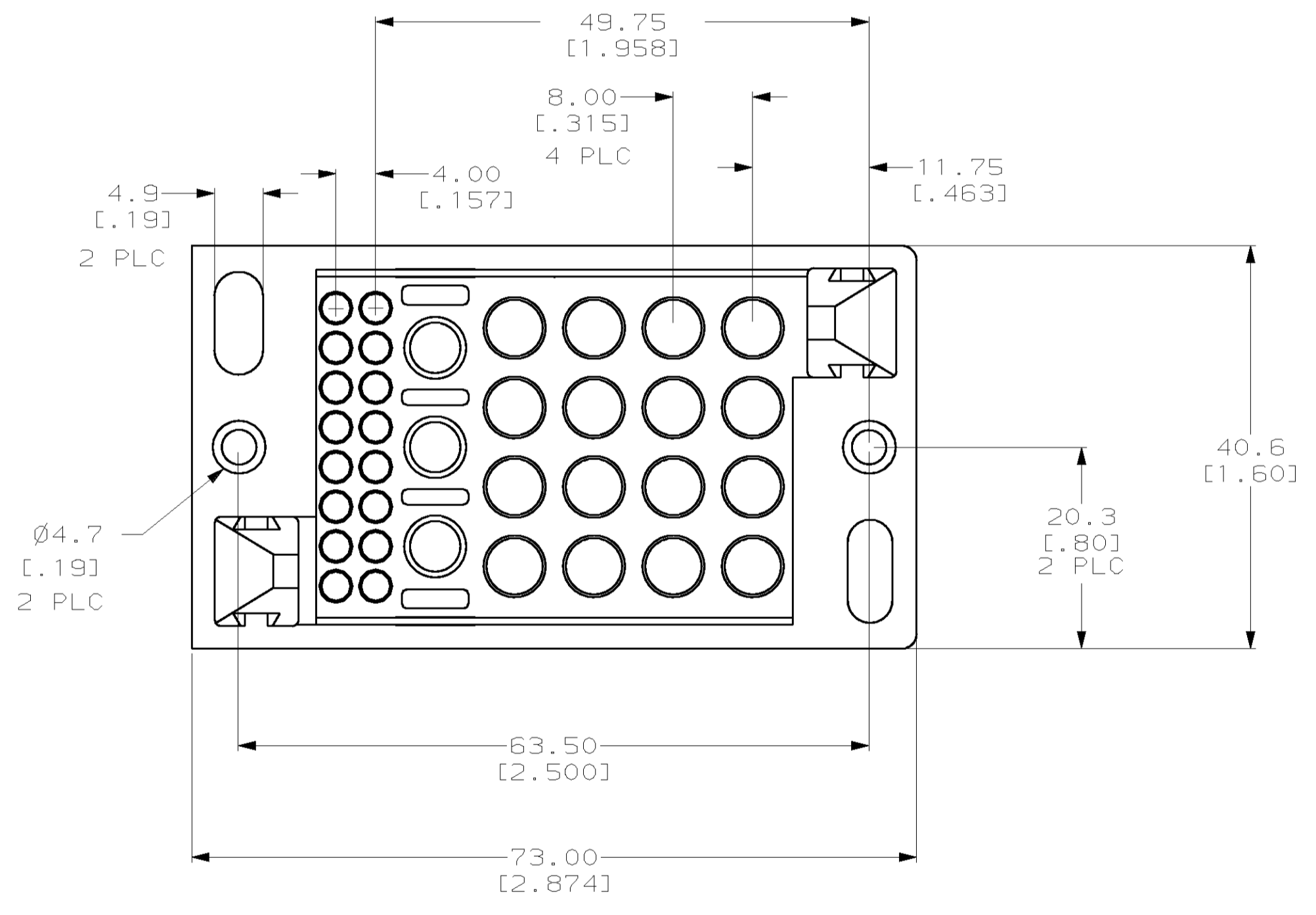
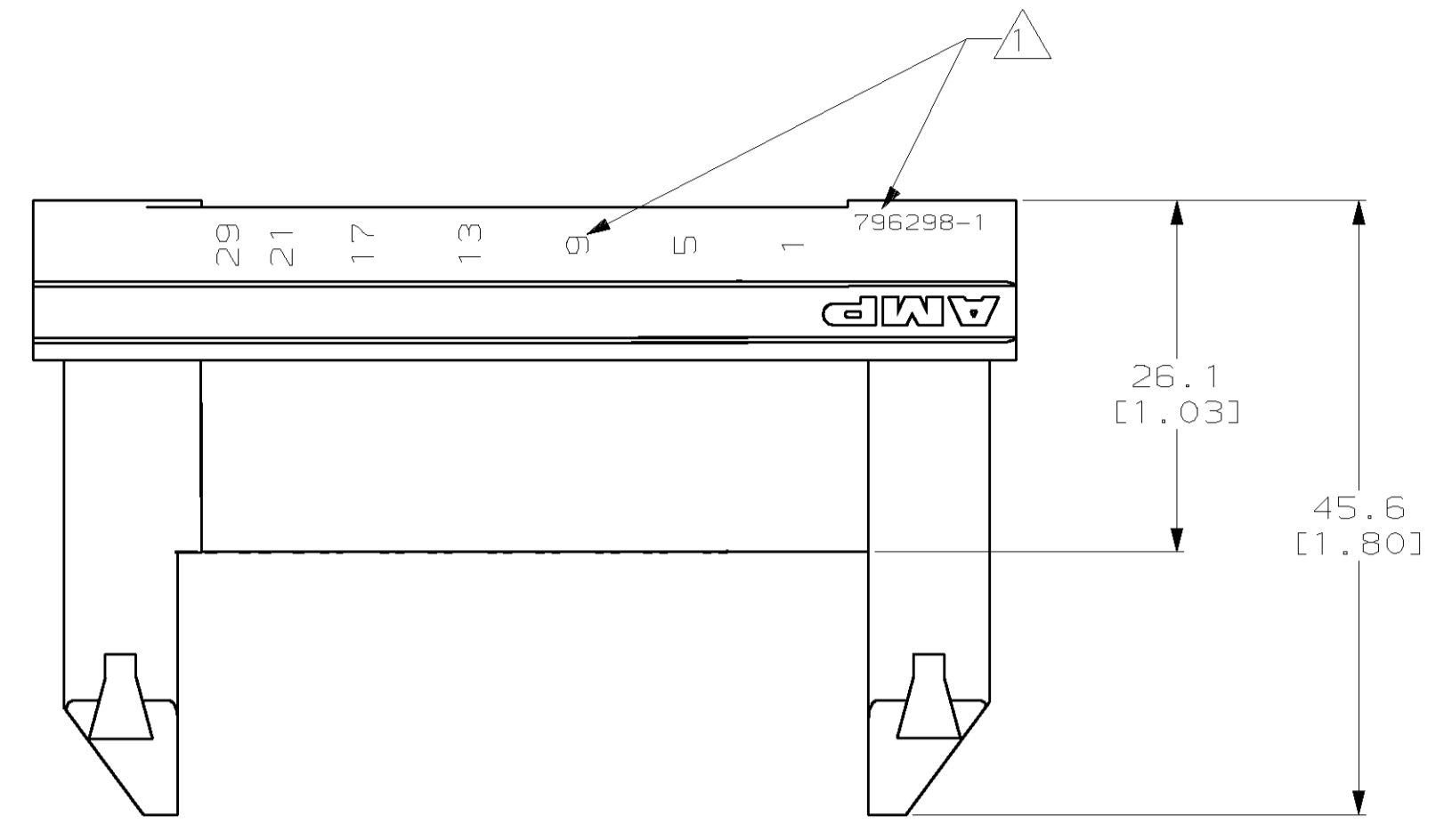


LOC	DIST	REVISIONS				
CH	11	REV	DESCRIPTION	DATE	OWN	APVD
		0	RLSD PER NPR 2	24FEB00	LM	GS

\* AMPPOWER is a trademark



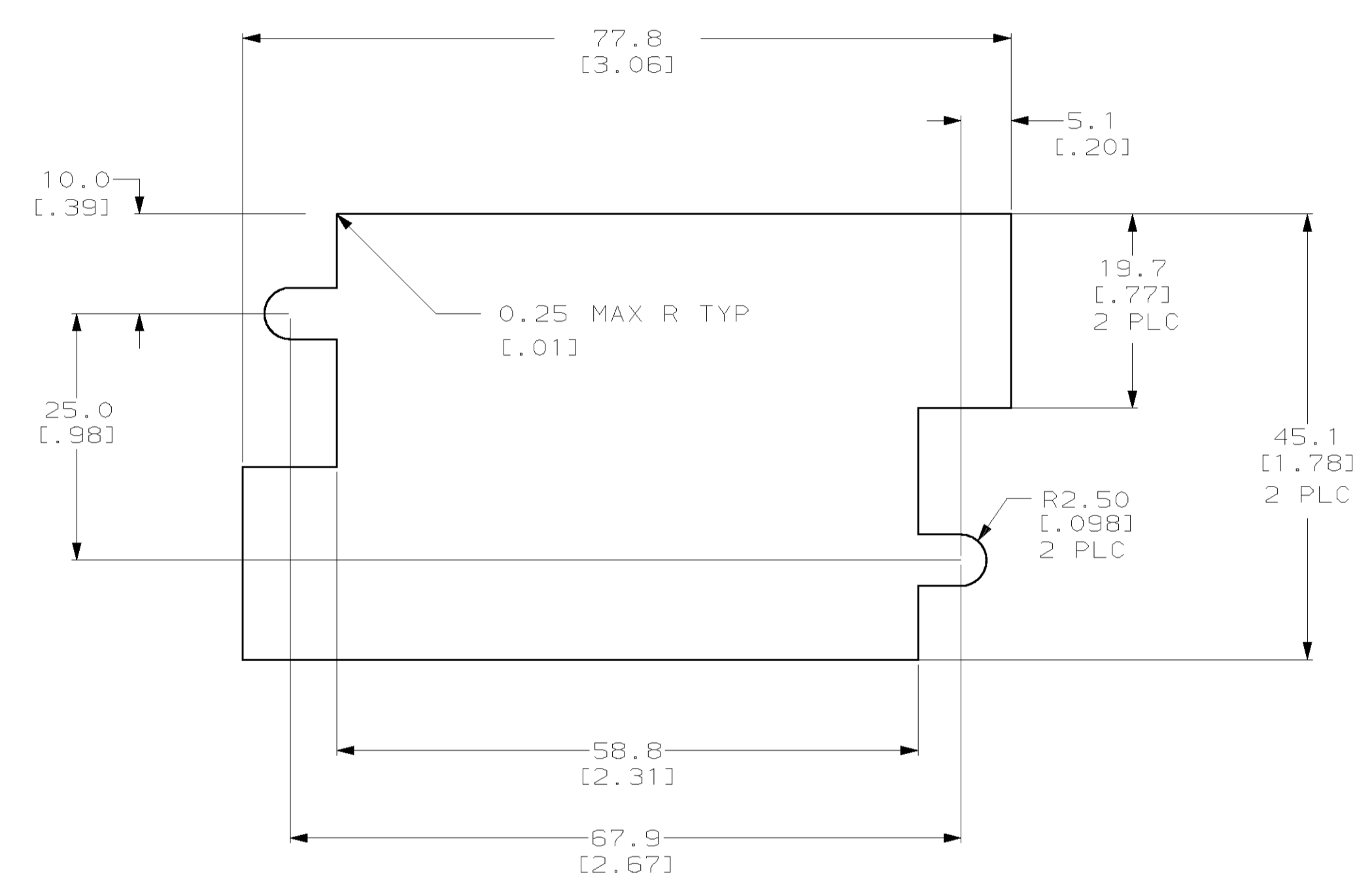
1. MATERIAL: POLYESTER PCT; BLACK.
2. POSITIONS 1-19 ARE FOR 3mm CONTACTS.
3. POSITIONS 20-35 ARE FOR SIZE 16 CONTACTS.
4. ALL DIMENSIONS, EXCEPT PANEL CUTOUTS, ARE REFERENCE ONLY.

796298-1  
PART NO.

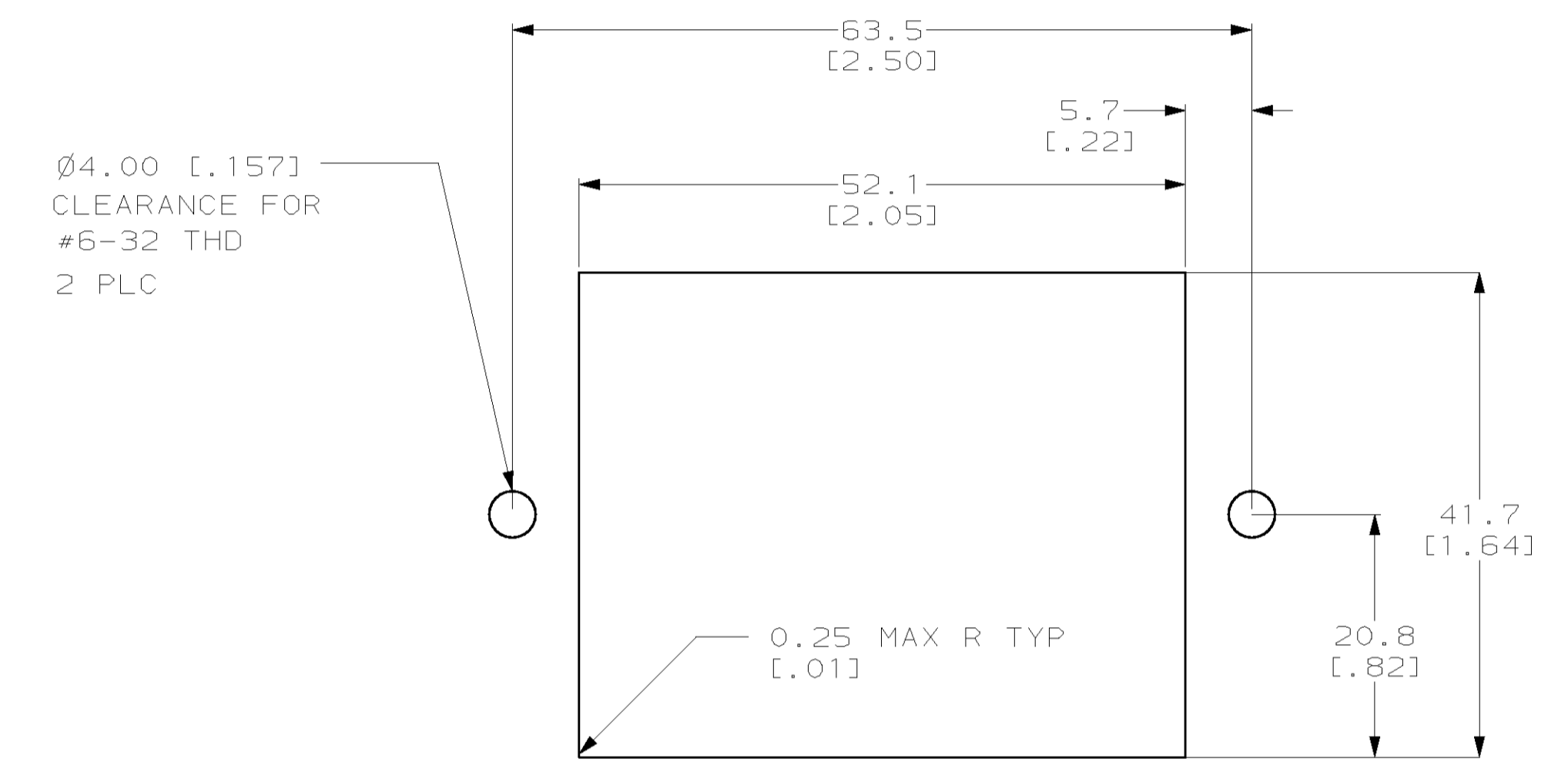
THIS DRAWING IS A CONTROLLED DOCUMENT.		DWN L. McEACHIN 24-FEB-2000	AMP Incorporated Harrisburg, PA 17105-3608
DIMENSIONS: mm (INCHES)		CHK G. STEINHAUER 24-FEB-2000	NAME AMPPOWER® MULTI PIN PLUS HOUSING, PLUG 35 POSITION
TOLERANCES UNLESS OTHERWISE SPECIFIED:		APVD G. STEINHAUER 24-FEB-2000	RESTRICTED TO
0 PLC ±0.10		PRODUCT SPEC	SIZE CAGE CODE DRAWING NO
1 PLC ±0.10		APPLICATION SPEC	A1 00779 C- 796298
2 PLC ±0.10		WEIGHT	SCALE 2:1 SHEET 1 OF 2 REV 0
3 PLC ±0.10		CUSTOMER DRAWING	
4 PLC ±0.10			
ANGLES			
FINISH			

LOC	DIST	REVISIONS			
CH	11	REV	DATE	BY	APPV
-	-	SEE SHEET 1	-	-	-

\* AMPPOWER is a trademark



RECOMMENDED FLOAT MOUNT PANEL CUTOUT  
EXTERNAL VIEW



RECOMMENDED STATIONARY MOUNT PANEL CUTOUT  
EXTERNAL VIEW

THIS DRAWING IS A CONTROLLED DOCUMENT.		DWN L. McEACHIN 24-FEB-2000	AMP Incorporated Harrisburg, PA 17105-3608	
DIMENSIONS: mm (INCHES)		CHK G. STEINHAUER 24-FEB-2000	NAME AMPPOWER <sup>®</sup> MULTI PIN PLUS HOUSING, PLUG 35 POSITION	
TOLERANCES UNLESS OTHERWISE SPECIFIED:		APPV G. STEINHAUER 24-FEB-2000	RESTRICTED TO	
0 PLC ±-	1 PLC ±0.25	PRODUCT SPEC	SIZE CAGE CODE DRAWING NO	
2 PLC ±0.12 [.01]	3 PLC ±(.005)	APPLICATION SPEC	A1 00779 C- 796298	
4 PLC ±-	ANGLES ±-	WEIGHT	SCALE 2:1 SHEET 2 OF 2 REV 0	
MATERIAL	FINISH	CUSTOMER DRAWING		