

Handle Series FG11

Manageable functional handle.

Material and surface:

Polyamide PA 6, black with fine structure.

Function elements:

Type 1: Flat push button with red or green LED.

Type 2: Raised push button with red or green LED (convenient in case of a longer duration of activation).

Connection A:

8-pin connector at the mounting surface of the handle. Coupling with 10 m ready made cable available as accessories.

Connection B:

The 5 m connection cable leading out of the mounting surface of the handle shank.

Protection class:

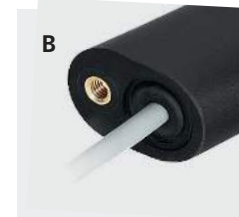
IP 65 (for version A with screwed coupling).



Typ



Connection



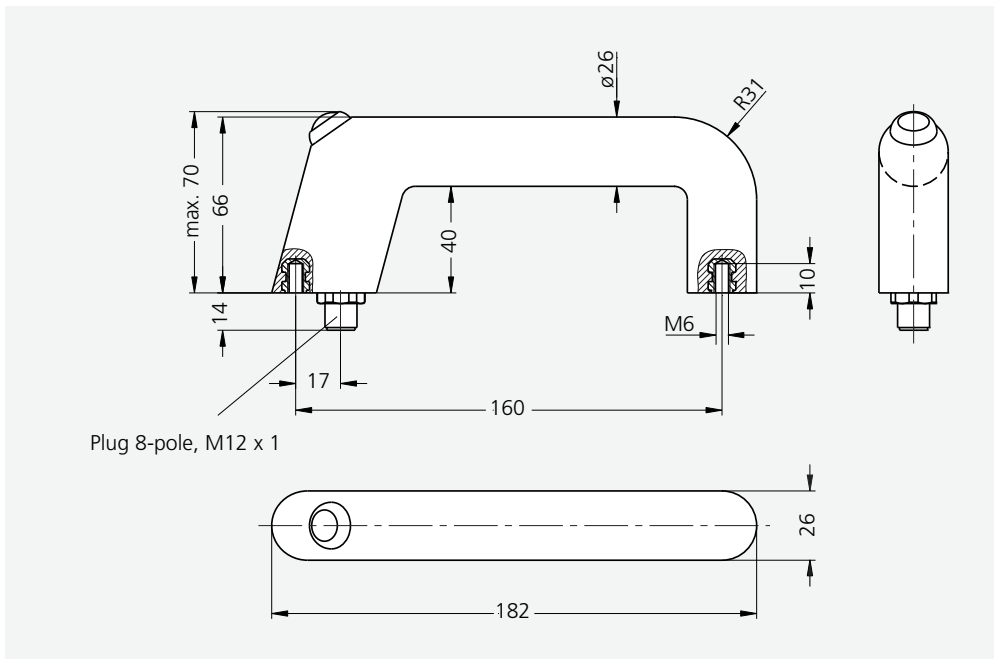
| Typ | | Connection | | |
|-----|-------|------------|-----------------|-----------------|
| | | A Plug | B Cable | |
| | | A | Order no. | Order no. |
| 1 | green | 160 | FG11-3SG.160.84 | FG11-3KG.160.84 |
| | red | 160 | FG11-3SR.160.84 | FG11-3KR.160.84 |
| 2 | green | 160 | FG11-4SG.160.84 | FG11-4KG.160.84 |
| | red | 160 | FG11-4SR.160.84 | FG11-4KR.160.84 |

Handle accessories

Coupling with cable 8-pole (M12 x 1)

| | L | Order no. |
|--|------|--------------|
| | 10 m | FZ-KS.G08.10 |





Technical data

FG11

| | |
|--|-----------------------------------|
| <p>Push button, LED (1 NC + 1 NO contact)</p> | |
| <p>Push button</p> | <p>24 V AC/DC max. 1 A</p> |
| <p>Operating voltage LED</p> | <p>24 V DC (12 V DC optional)</p> |
| <p>Connection type</p> | <p>8-pole, M12 x 1</p> |
| <p>Connector assignment (Plug side view)</p> | |
| <p>Mounting cutout</p> | |



Door solenoid tumbler see page 304–305.

All dimensions in mm.