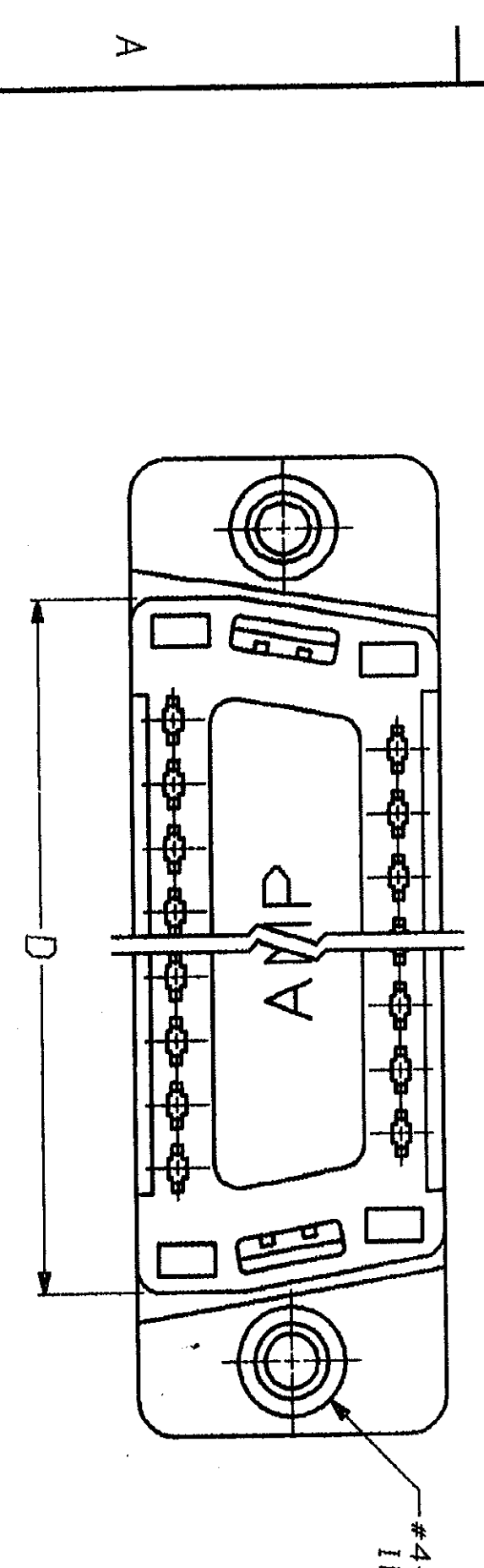
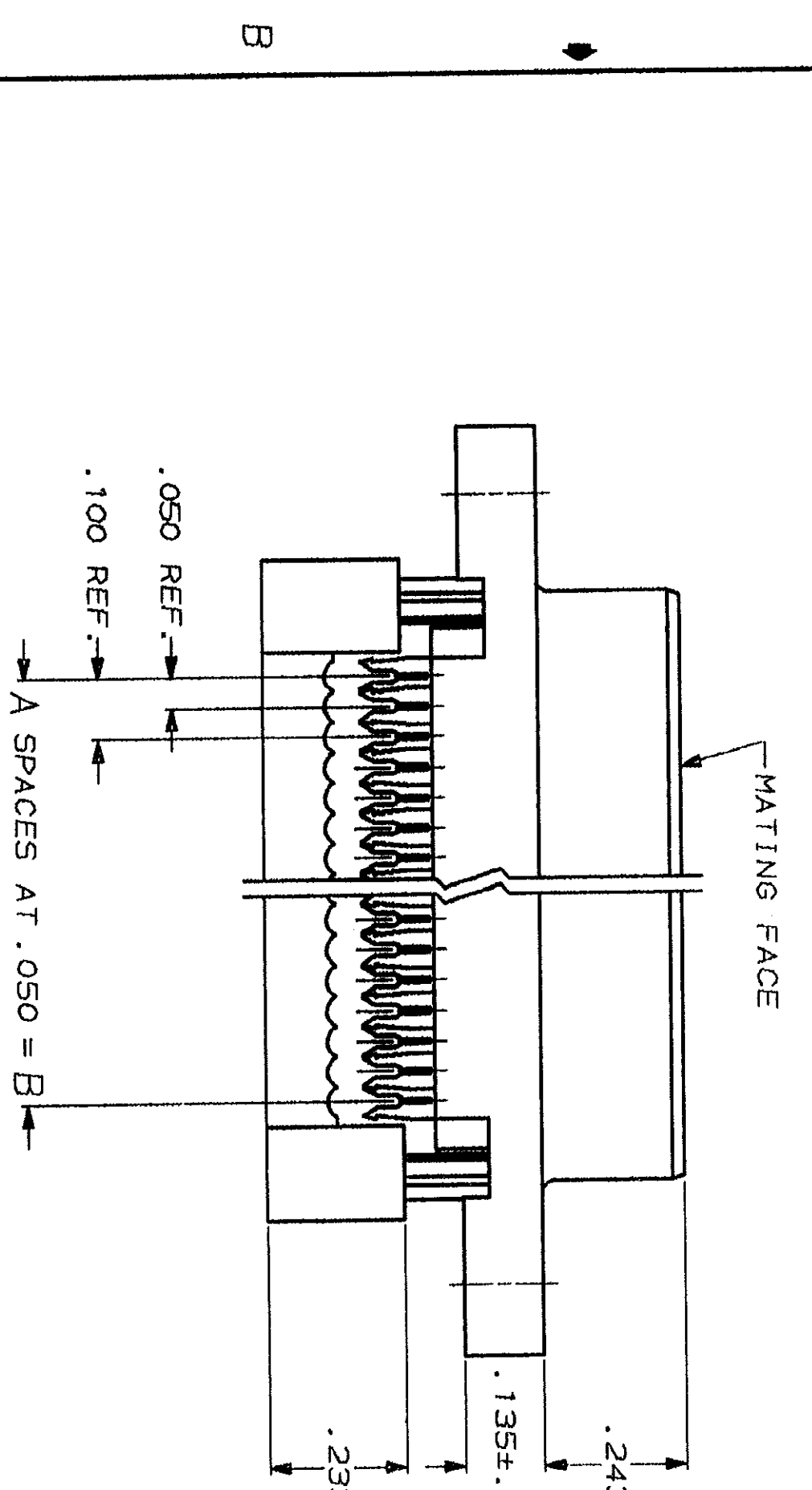
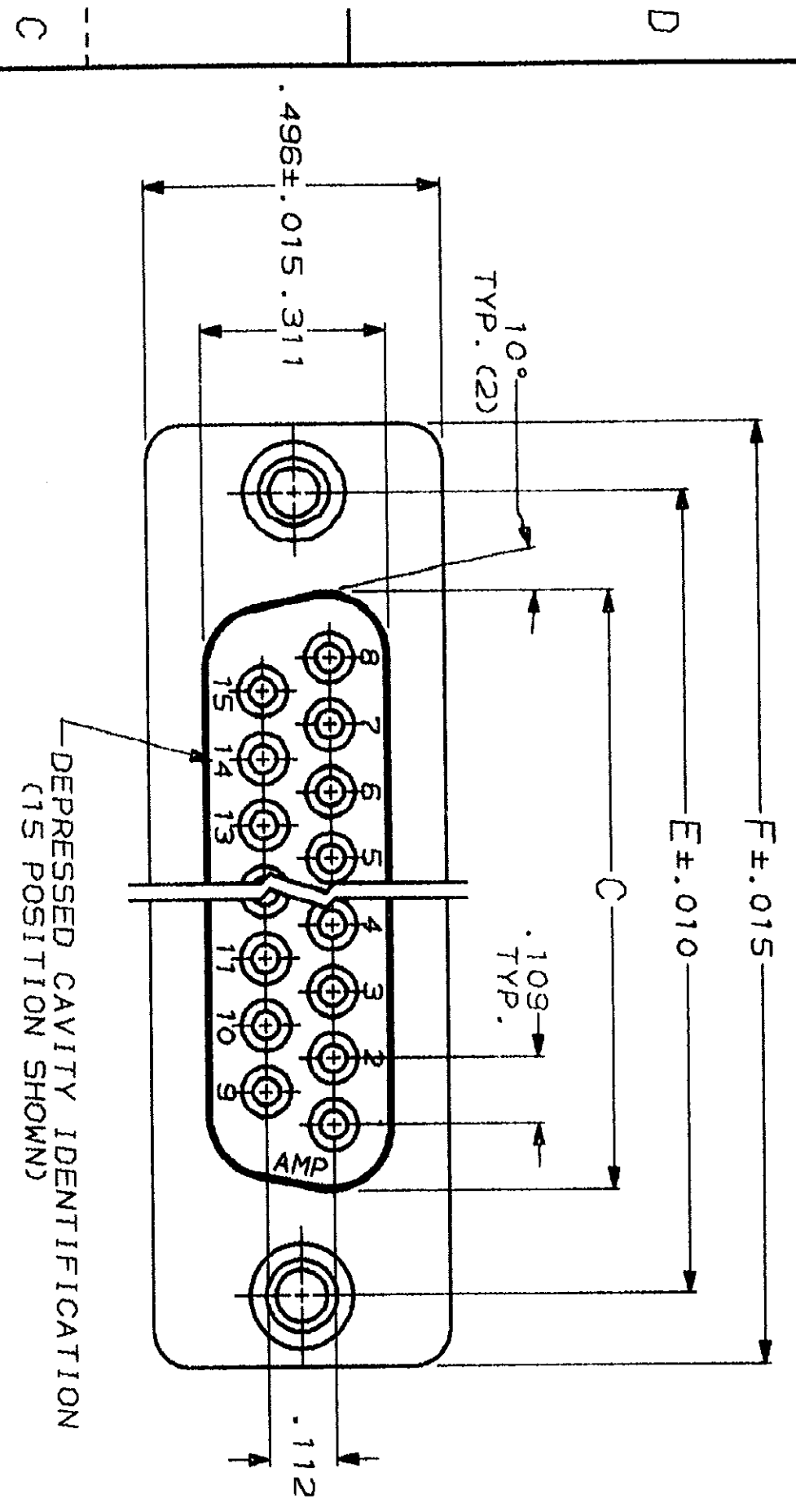


THIS DRAWING IS UNPUBLISHED. RELEASED FOR PUBLICATION  
 © COPYRIGHT 19 BY AMP INCORPORATED, HARRISBURG, PA. ALL INTERNATIONAL RIGHTS RESERVED. AMP PRODUCTS MAY BE COVERED BY U.S. AND FOREIGN PATENTS AND/OR PATENTS PENDING.



3

2

MOD 20  
 LOC 39  
 DIST 39

REVISIONS			
P	F	ZONE	LTR
		01	REV PER ECN 0520
		A	REVISED ECN-CF1457
		B	REV PER ECN BD2622
		C	REV PER ECN BD4356

- CONNECTORS COMPLY WITH AMP SPEC. 108-40, 012 AND MATE WITH ANY SAME NUMBER POSITION PLUG CONNECTOR IN AMPLIMITE SERIES.
- CONNECTOR DESIGNED FOR 28 AND 26 AWG STRANDED AND SOLID CONDUCTOR RIBBON CABLE ON .050φ.
- DIMENSION APPLIES TO TERMINATED CONNECTOR.
- INSERTS WILL WITHSTAND 6 IN. LBS. TORQUE AND 50 LBS. PULL OUT FORCE FROM MATING FACE SIDE.
- MOLDED PARTS: FLAME RETARDANT 94V-0 RATED THERMOPLASTIC; COLOR: BLACK.
- PHOS. BRONZE PER QQ-B-750.
- BRASS PER MIL-C-50.
- GOLD PLATING PER MIL-G-45204, BRIGHT TIN PLATING PER MIL-T-10727, TIN LEAD PLATING PER MIL-P-81728, NICKEL PLATING PER QQ-N-290.
- PLATED WITH .000030 GOLD IN LOCALIZED GOLD PLATE AREA, .000100-.000200 BRIGHT TIN LEAD ON TERMINATION END, ALL OVER .000050 NICKEL ON ENTIRE CONTACT.
- ADVANCED PART NUMBER, NOT PRODUCTION TOOLED.

CONTRACT NO	DR	CHK	APPD	APPD	OTHER APPD
	J. GERACE 11-1-82	J. GERACE 11-1-82	R. LEGGETT 11-5-82	E. GILL 11-8-82	

UNLESS OTHERWISE SPECIFIED DIMENSIONS ARE IN INCHES.	TOLERANCES ON DECIMALS	ANGLES
	± .005	± 2°

FINISH	CONTACTS	INSERTS
UNPLATED	UNPLATED	UNPLATED

SCALE	NTS	SHEET
C	00779	1 OF 2

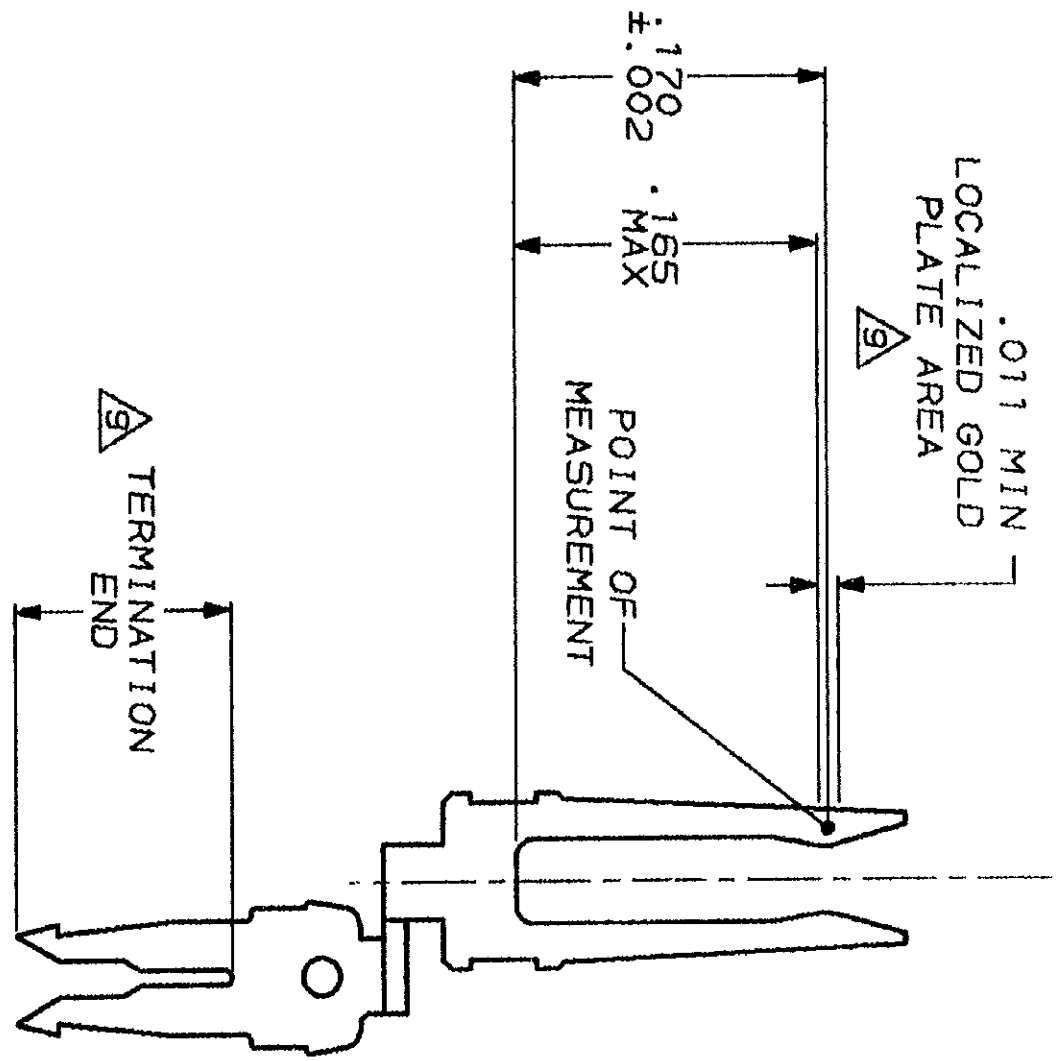
CUSTOMER DRAWING

AMP 1471-S REV 2-81

19 SEP 1990 14:17:42 AMP108

DRAWING MADE IN THIRD ANGLE PROJECTION  
 THIS DRAWING IS UNPUBLISHED. RELEASED FOR PUBLICATION  
 COPYRIGHT 1987 BY AMP INCORPORATED. ALL INTERNATIONAL RIGHTS RESERVED.

MOD	LOC	Q137	REVISIONS	
20	BD	39	P	F
			ZONE	LTR
			C	SEE SHEET 1
			DATE	APPD



CONTACT DETAIL  
 SCALE 10:1

DO NOT SCALE PRINT. UNLESS SPECIFIED DIMENSIONS IN INCHES TOLERANCES ON:		DR 11-3-87 M. EPLER	NAME RECEPTACLE ASSEMBLY, LOW PROFILE HDF, W/ PREASSEMBLED COVER & THREADED INSERTS	
2 PLC DEC #	-.005	CHK 11-3-87 W. G. LENKER	AMP INCORPORATED Harrisburg, Pa. 17105	
3 PLC DEC #	2°	APPD -	PART NO	
MATERIAL	-	PRODUCT SPEC	747051	
FINISH	-	APPLICATION SPEC	DRAWING NO	
WEIGHT	-		747051	

SIZE	FSCH NO	DRAWING NO
C	00779	747051
SCALE	NTS	SHEET
		2 OF 2

CUSTOMER DRAWING