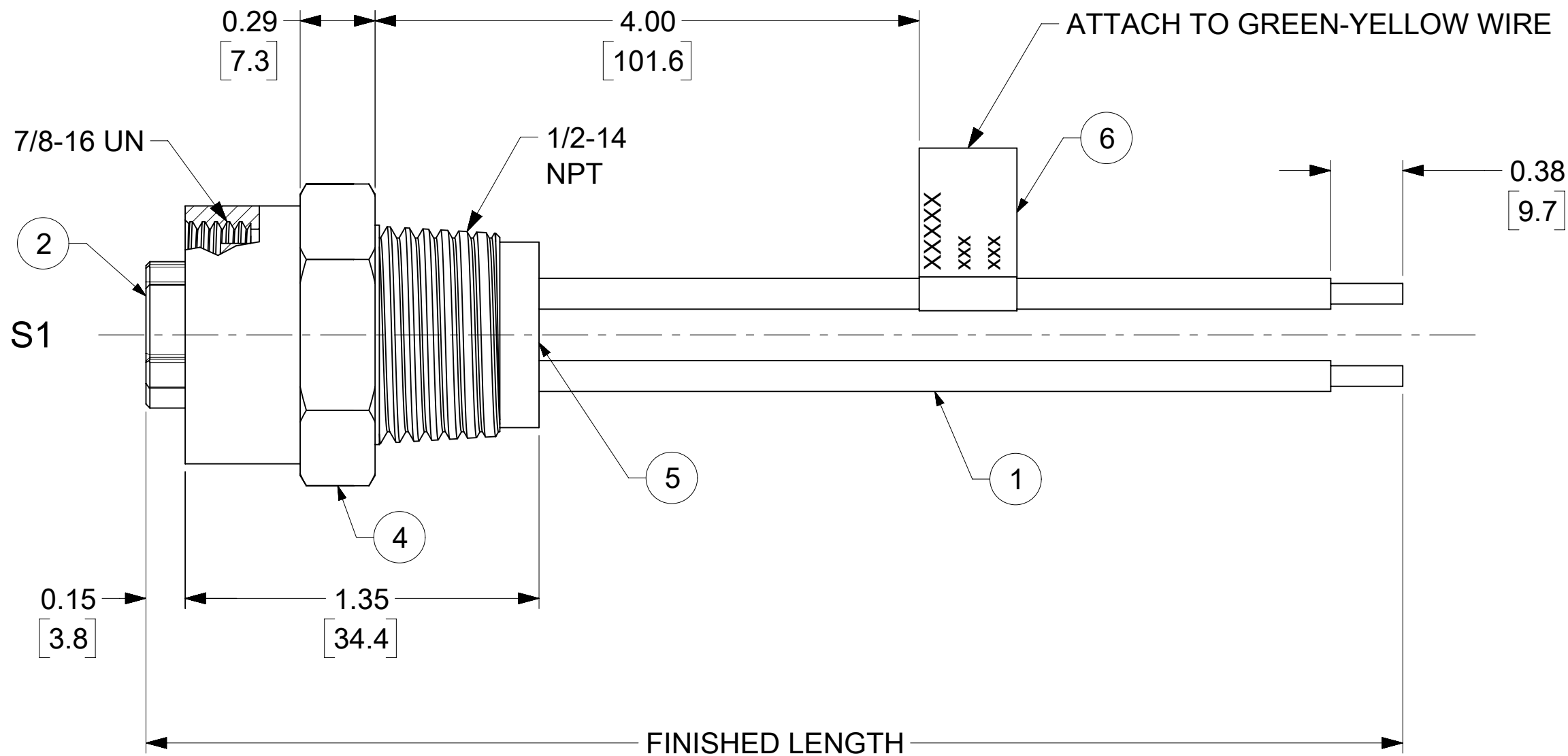
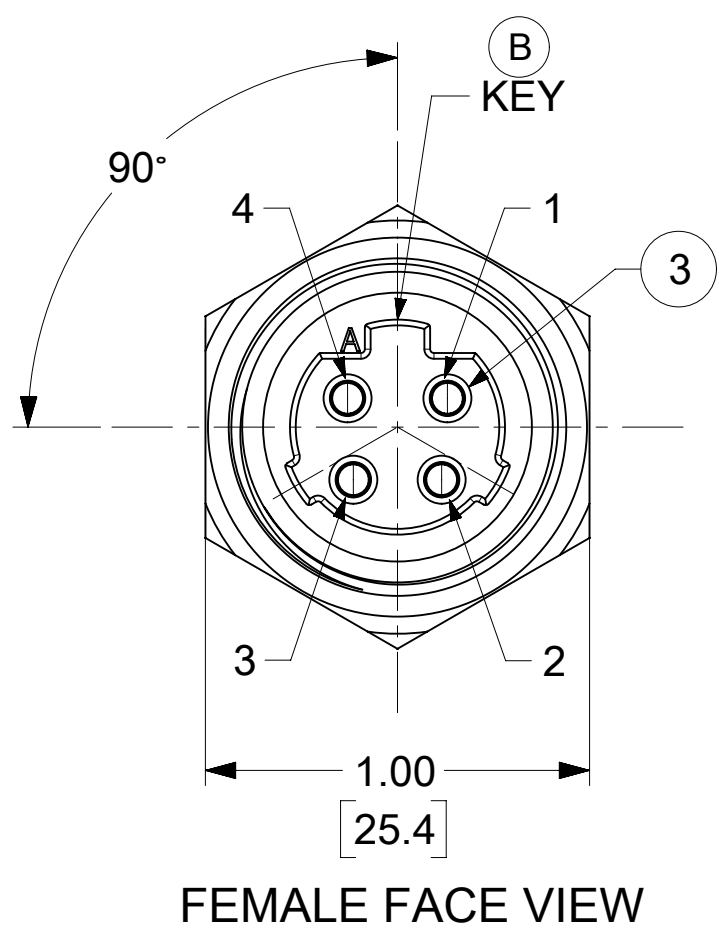
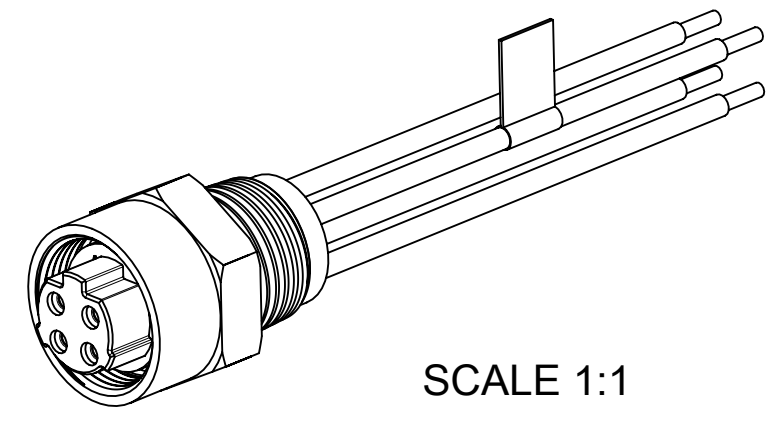


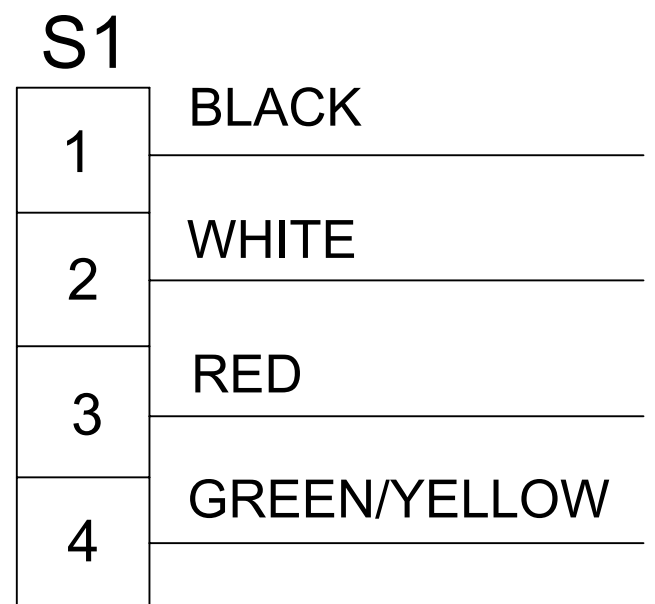
MATERIAL NO.	ENGINEERING NO.	FINISHED LENGTH
1300660285	1R4100A28M005G	0.5M (1 FT 7.67 IN)
1300660286	1R4100A28M010G	1M (3 FT 3.37 IN)
1300660318	1R4100A28M020G	2M (6 FT 6.74 IN)

**CABLE LENGTH TOLERANCES**  
 <.3M [1FT]: +19mm-0 [+ .75in-0]  
 .3 - .9M [1 - 3FT]: +44.5mm-0 [+1.75in-0]  
 .9 - 1.8M [3 - 6FT]: +55.6mm-0 [+2.19in-0]  
 1.8 - 3.7M [6 - 12FT]: +88.9mm-0 [+3.50in-0]  
 3.7 - 7.3M [12 - 24FT]: +165.1mm-0 [+6.50in-0]  
 7.3-14.6M [24 - 48FT]: +317.5mm-0 [+12.50in-0]  
 14.6 - 30.5M [48-100FT]: +622.3mm-0 [+24.50in-0]  
 OVER 30M [100FT] +2% OF FINISHED LENGTH



- NOTES:**
- MATERIAL: AS NOTED
  - FINISH: AS NOTED
  - ELECTRICAL:  
 VOLTAGE: 483V PER IEC60664  
 600V PER UL2237  
 CURRENT: 15A
  - TEMP RATING: -20°C TO +90°C
  - PROTECTION: IP67 (WHEN MATED)
  - UL LISTED FILE: E258922
  - ASSEMBLY IS ROHS COMPLIANT
  - ALL DIMS ARE FOR REFERENCE UNLESS TOLERANCED OR NOTED OTHERWISE

**WIRING DIAGRAM**



**PART NUMBER LEGEND**

1R4100A28M010G

INSERT COLOR  
G-BLACK

FINISHED LENGTH  
M005 = 0.5 METER  
M010 = 1 METERS  
M100 = 10 METERS

ITEM	DESCRIPTION	MATERIAL	FINISH
6	FLAG LABEL	VINYL	BLACK/YELLOW
5	POTTING MATERIAL	EPOXY	BLACK
4	RECEPTACLE SHELL	ZINC DIE CAST	NICKEL PLATED
3	SOCKET CONTACT	Cu ALLOY	GOLD OVER NICKEL
2	FEMALE INSERT	TPE	BLACK
1	WIRE, 14 AWG, THHN	PVC	SEE WIRE DIAGRAM

FUNCTIONAL SYMBOLS	THIS DRAWING CONTAINS INFORMATION THAT IS PROPRIETARY TO MOLEX ELECTRONIC TECHNOLOGIES, LLC AND SHOULD NOT BE USED WITHOUT WRITTEN PERMISSION		CURRENT REV DESC: UPDATED ITEM 2 WAS PVC, 6 WAS MYLAR, VOLTAGE, UL, PN LEGEND TOLERANCE & MATERIAL TABLE	
	DIMENSION UNITS	SCALE	EC NO: 704134	
	INCH/MM	2:1	DRWN: VHANDI	2021/07/02
	GENERAL TOLERANCES (UNLESS SPECIFIED)		CHK'D: RSTONE	2022/04/27
DIVISIONAL SYMBOLS	4 PLACES	±	APPR: BWOODMAN	2022/05/04
	3 PLACES	±	INITIAL REVISION:	
	2 PLACES	±	DRWN: GGUSTAFSON	2014/11/24
	1 PLACE	±	APPR: BWOODMAN	2014/12/02
0 PLACES		±	DRAFT WHERE APPLICABLE MUST REMAIN WITHIN DIMENSIONS	
ANGULAR TOL		± °	THIRD ANGLE PROJECTION	DRAWING SERIES
C-SIZE		130066	MATERIAL NUMBER	CUSTOMER
SEE TABLE		GENERAL MARKET	SHEET NUMBER	
1 OF 1				

**molex**

BRAD POWER RECEPTACLE, A SIZE  
4 POLE, FEMALE, STRAIGHT, TRI-KEY, 14 AWG

PRODUCT CUSTOMER DRAWING

DOCUMENT NUMBER: SD-130066-070  
 DOC TYPE: PSD  
 DOC PART: 001  
 REVISION: B

MATERIAL NUMBER: SEE TABLE  
 CUSTOMER: GENERAL MARKET  
 SHEET NUMBER: 1 OF 1