

926820-4 ✓ ACTIVE

[Positive Lock](#) | [Positive Lock 250](#)

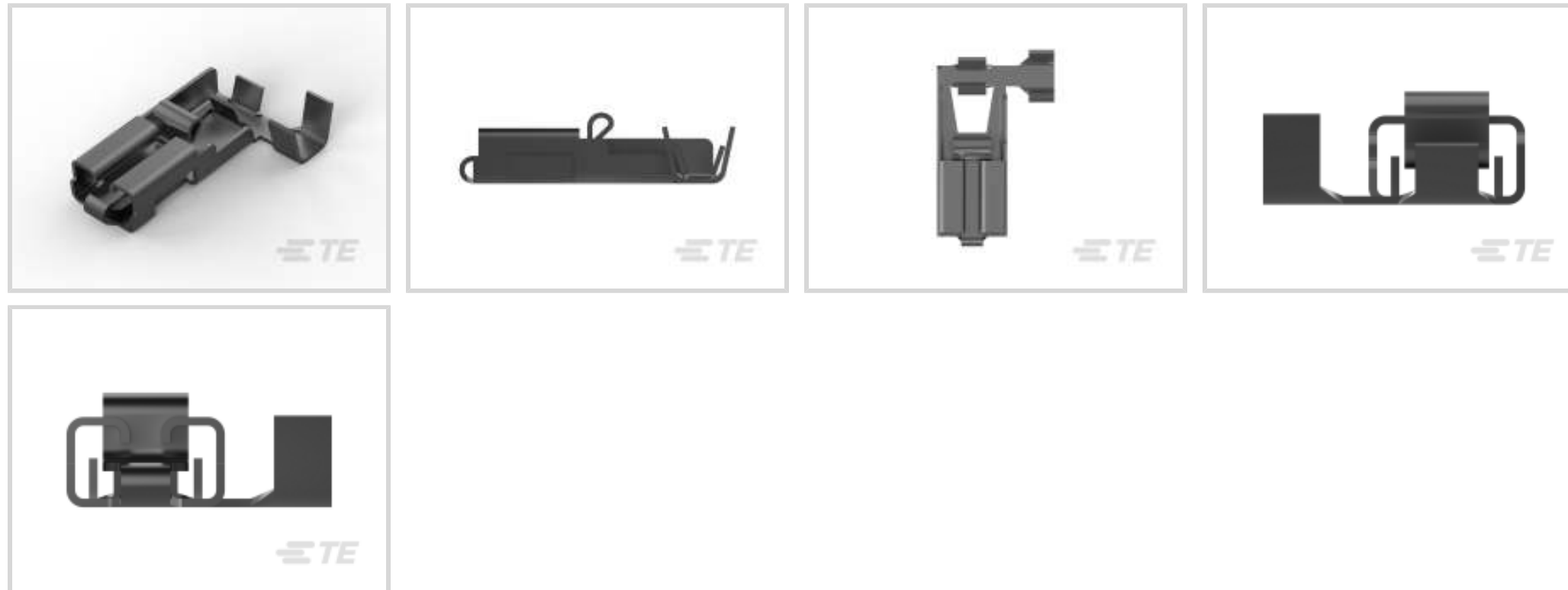
TE Internal #: 926820-4

Quick Disconnects, Receptacle, 20 – 17 AWG Wire Size, .51 – 1.03 mm<sup>2</sup> Wire Size, Mating Tab Width 6.35 mm [.25 in], Flag, Brass, Positive Lock 250

[View on TE.com >](#)



Terminals & Splices > Quick Disconnects



Quick Disconnect Terminal Type: **Receptacle**

Wire Size: .51 – 1.03 mm<sup>2</sup>

Mating Tab Width: 6.35 mm [.25 in]

Mating Tab Thickness: .81 mm [.032 in]

## Features

### Product Type Features

Insertion Force	Low
-----------------	-----

### Configuration Features

Connection Capacity	Single
---------------------	--------

Compatible With Wire & Cable Type	FLK
-----------------------------------	-----

### Contact Features

Quick Disconnect Terminal Type	Receptacle
--------------------------------	------------

Mating Tab Width	6.35 mm [.25 in]
------------------	------------------

Mating Tab Thickness	.81 mm [.032 in]
----------------------	------------------

Terminal Orientation	Flag
----------------------	------

Contact Base Material	Brass
-----------------------	-------

Terminal Plating Material	Pre-Tin
---------------------------	---------

Crimp Type	F-Crimp
------------	---------

Barrel Type	Open
-------------	------

### Termination Features



Product Terminates To	Wire & Cable
-----------------------	--------------

### Mechanical Attachment

Extraction Force	7 – 100 Newton
------------------	----------------

Wire Insulation Support	With
-------------------------	------

Mating Retention Type	Dimple
-----------------------	--------

### Dimensions

Terminal Material Thickness	.41 mm [.016 in]
-----------------------------	------------------

Compatible Insulation Diameter Range	2.2 – 3.3 mm [.086 – .13 in]
--------------------------------------	------------------------------

Wire Size	.51 – 1.03 mm <sup>2</sup>
-----------	----------------------------

### Usage Conditions

Insulation Option	Uninsulated
-------------------	-------------

Operating Temperature Range	-40 – 110 °C [-40 – 230 °F]
-----------------------------	-----------------------------

### Packaging Features

Packaging Quantity	2000
--------------------	------

Packaging Method	Strip/Reel
------------------	------------

### Product Compliance

[For compliance documentation, visit the product page on TE.com>](#)

EU RoHS Directive 2011/65/EU	Compliant
------------------------------	-----------

EU ELV Directive 2000/53/EC	Compliant
-----------------------------	-----------

China RoHS 2 Directive MIIT Order No 32, 2016	No Restricted Materials Above Threshold
---	---

EU REACH Regulation (EC) No. 1907/2006	Current ECHA Candidate List: JUNE 2023 (235) Candidate List Declared Against: JUNE 2023 (235) Does not contain REACH SVHC
--	---

Halogen Content	Low Halogen - Br, Cl, F, I < 900 ppm per homogenous material. Also BFR/CFR/PVC Free
-----------------	---

Solder Process Capability	Not applicable for solder process capability
---------------------------	--

#### Product Compliance Disclaimer

This information is provided based on reasonable inquiry of our suppliers and represents our current actual knowledge based on the information they provided. This information is subject to change. The part numbers that TE has identified as EU RoHS compliant have a maximum concentration of 0.1% by weight in homogenous materials for lead, hexavalent chromium, mercury, PBB, PBDE, DBP, BBP, DEHP, DIBP, and 0.01% for cadmium, or qualify for an exemption to these limits as defined in the Annexes of Directive 2011/65/EU (RoHS2). Finished electrical and electronic equipment products will be CE marked as required by Directive 2011/65/EU. Components may not be CE marked. Additionally, the part

numbers that TE has identified as EU ELV compliant have a maximum concentration of 0.1% by weight in homogenous materials for lead, hexavalent chromium, and mercury, and 0.01% for cadmium, or qualify for an exemption to these limits as defined in the Annexes of Directive 2000/53/EC (ELV). Regarding the REACH Regulation, the information TE provides on SVHC in articles for this part number is based on the latest European Chemicals Agency (ECHA) 'Guidance on requirements for substances in articles' posted at this URL: <https://echa.europa.eu/guidance-documents/guidance-on-reach>

## Compatible Parts



TE Part # 926291-1  
PL 250 HOUSING FLAG PA 6.6 BLACK



TE Part # 2-2150401-1  
OCEAN\_2.0\_Applicator-E-100F140F



TE Part # 2-2150401-2  
OCEAN\_2.0\_Applicator-E-100F140F



TE Part # 2-2150908-1  
OCEAN-2.0-APPLICATOR-E-100F120OV



TE Part # 2-2150908-2  
OCEAN-2.0-APPLICATOR-E-100F120OV



TE Part # 2150401-1  
OCEAN\_2.0\_Applicator-E-100F140F



TE Part # 2150401-2  
OCEAN\_2.0\_Applicator-E-100F140F



TE Part # 2150908-1  
OCEAN-2.0-APPLICATOR-E-100F120OV



TE Part # 2150908-2  
OCEAN-2.0-APPLICATOR-E-100F120OV



TE Part # 680436-1  
HDM 9EMPO100F120F T&G



TE Part # 7-2150401-1  
OCEAN\_2.0\_Applicator-E-100F140F



TE Part # 7-2150401-2  
OCEAN\_2.0\_Applicator-E-100F140F



**KIT**  
REPRESENTATION ONLY

TE Part # 7-2150401-7  
OCEAN\_2.0\_SPARE\_PART\_KIT-100F140F



**KIT**  
REPRESENTATION ONLY

TE Part # 7-2150908-7  
OCEAN\_2.0\_SPARE\_PART\_KIT-100F120OV

Also in the Series | **Positive Lock 250**



Automotive Terminals(1)



Crimp Terminal Housings(193)



Insertion & Extraction Tools(3)

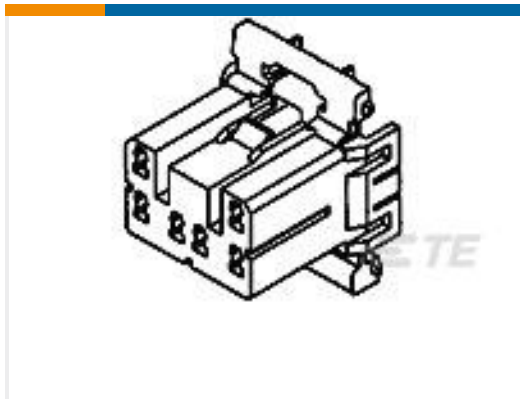


Insulation Boots & Sleeves(4)



Quick Disconnects(186)

## Customers Also Bought



TE Part #282366-1  
070 MULTILOCK PLUG HSG. 8 POS



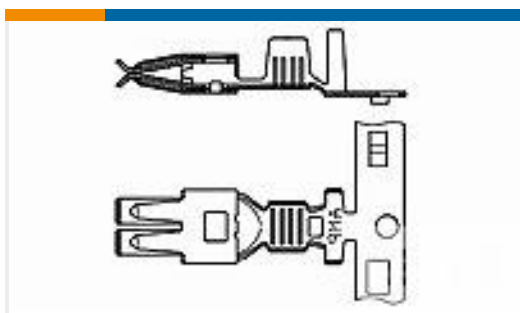
TE Part #1924782-2  
GET FEM TERM 1.2MM, TS, TIN  
1MMSQ



TE Part #2272431-2  
1X6 GET UNSLD SIDE LATCH PLUG,  
KEY B



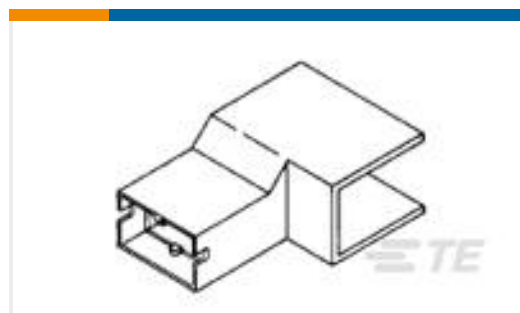
TE Part #3-2308295-1  
1POS,PCON12,REC HSG,90 DEG,  
UNSLD,COD C



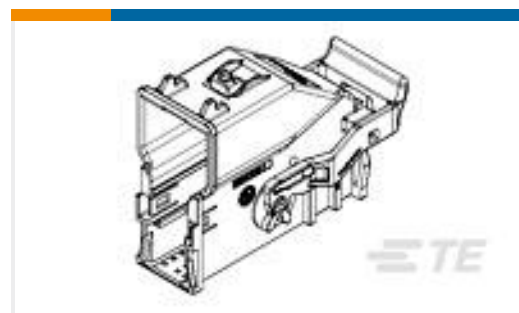
TE Part #963892-1  
STECKHUELSE 6,3



TE Part #1924396-1  
14P MCON 1.2 SCCM Inner Housing



TE Part #926291-1  
PL 250 HOUSING FLAG PA 6.6 BLACK



TE Part #1-1924337-3  
Shield Assy, 54 POSN, 0.64mm, 20  
DEG BLK



TE Part #2133662-1  
REC CONN CVR ASSY,64POS,MQS



TE Part #2819105-1  
HSG FEMALE ASSY 64 WAYS

## Documents



**Product Drawings**

[PL 250 FLAG REC 0.5-1.5 MM2 0.4X.44 PTP](#)

English

---

**CAD Files**

[3D PDF](#)

3D

**Customer View Model**

[ENG\\_CVM\\_CVM\\_926820-4\\_G.2d\\_dxf.zip](#)

English

**Customer View Model**

[ENG\\_CVM\\_CVM\\_926820-4\\_G.3d\\_igs.zip](#)

English

**Customer View Model**

[ENG\\_CVM\\_CVM\\_926820-4\\_G.3d\\_stp.zip](#)

English

By downloading the CAD file I accept and agree to the [Terms and Conditions](#) of use.

---

**Datasheets & Catalog Pages**

[1654742\\_HOUSEHOLD\\_APPLIANCES\\_RAST5](#)

English

[Positive Lock Receptacles](#)

English

---

**Product Specifications**

[Application Specification](#)

English

---

**Product Environmental Compliance**

[Product Compliance](#)

English

[Product Compliance](#)

English

---

**Agency Approvals**

[UL Report](#)

English