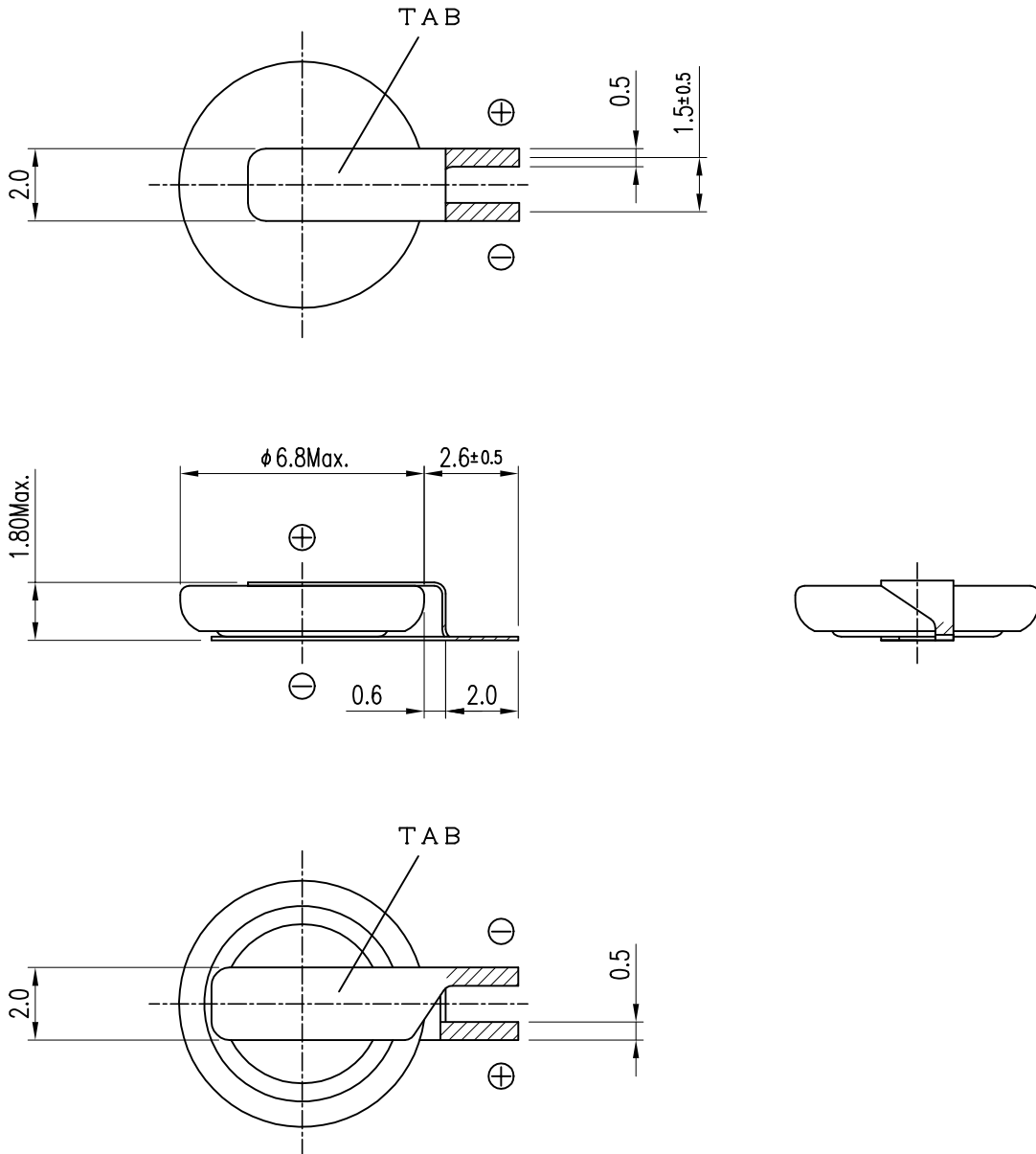


FIGURE-1 SHAPE AND DIMENSION



TAB MATERIAL : STAINLESS STEEL WITH  
Pb FREE PLATING

TAB THICKNESS : 0.1mm

WELDING STRENGTH OF TAB : MIN.9.8N  
(VERTICAL DIRECTION FROM WELDING PLATE)

Unit:mm

Model

ML614-TZ21

SANYO Electric Co., Ltd. Mobile Energy Company  
Ion Technology Business Unit