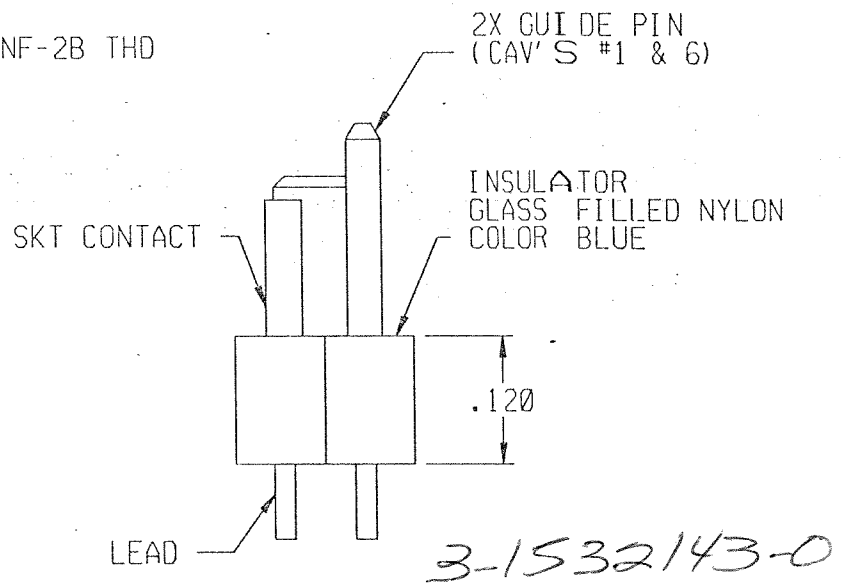
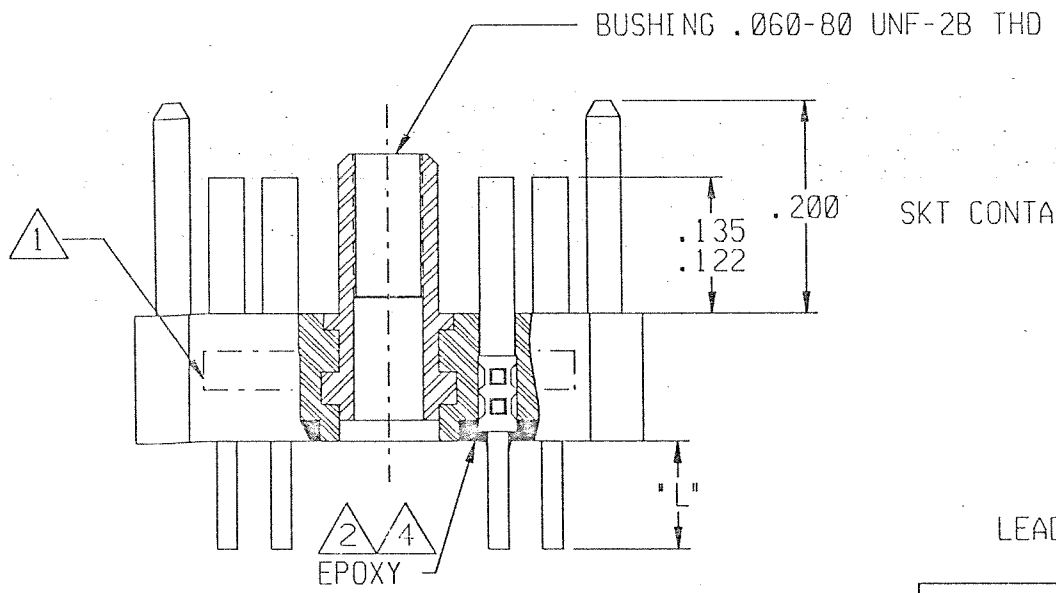
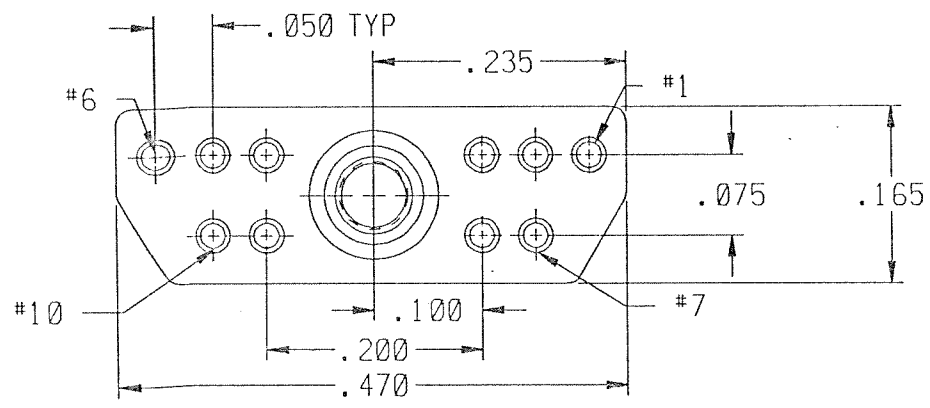



REVISION					
ZONE	LTR	ECN	DESCRIPTION	DATE	APPROVED
	B	39375	REVISE AND REDRAWN.	9/17/89	<i>[Signature]</i>



NOTES: UNLESS OTHERWISE SPECIFIED

- 1. MARK PER TIS.
- 2. EPOXY AS SHOWN WITH P/N: 194-8102-6215/6225.
- 3. CRIMP LEADS INTO CONTACTS PER MEP 302-05.
- 4. EPOXY WICKING : UNINSULATED WIRES - .050 MAX  
INSULATED WIRE UP TO #25 AWG - .125 MAX  
INSULATED WIRE #24 AWG OR LARGER - .200 MAX

UNLESS OTHERWISE SPECIFIED DIMENSIONS ARE IN INCHES. TOLERANCE ARE: FRACTIONS DECIMALS ANGLES ± 1/8 .XX ± .01 ± 2° .XXX ± .005	APPROVALS		 <b>MICRODOT CONNECTORS</b> A DIVISION OF UNI-STAR INDUSTRIES INC. 306 PASADENA AVE., SO. PASADENA, CA 91030	PROD CODE <b>834</b> CODE <b>M</b>
	SIGNATURE	DATE		
MATERIAL:	DRAWN BY	<i>[Signature]</i> 9/17/89	<b>JACKMATE CONNECTOR</b> <b>MCJB2-10S</b>	SIZE <b>A</b>
	P.E.	<i>[Signature]</i> 9/17/89		
FINISH:	M.E.		CODE IDENT NO. <b>98278</b>	DRAWING NO. <b>095-0000-0133</b>
	D.A.		SCALE: NONE	SHEET 1 OF 1
THIS DOCUMENT IS THE PROPERTY OF MICRODOT CONNECTORS, A DIVISION OF UNI-STAR INDUSTRIES INC. USE OF THIS DOCUMENT OR ANY PART THEREOF IS STRICTLY FORBIDDEN WITHOUT THE EXPRESS WRITTEN PERMISSION OF MICRODOT CONNECTORS, A DIVISION OF UNI-STAR INDUSTRIES INC.				