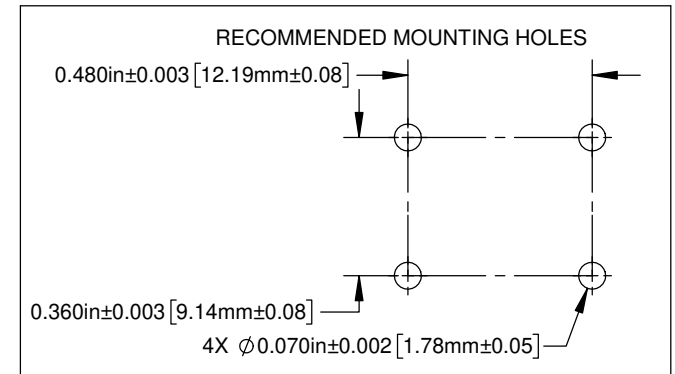
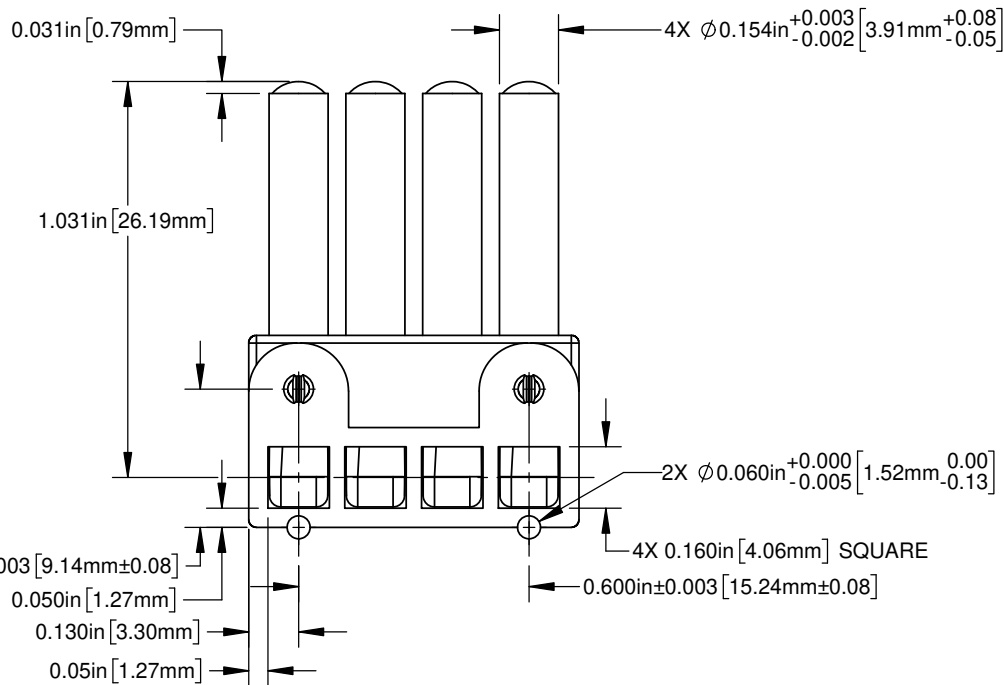
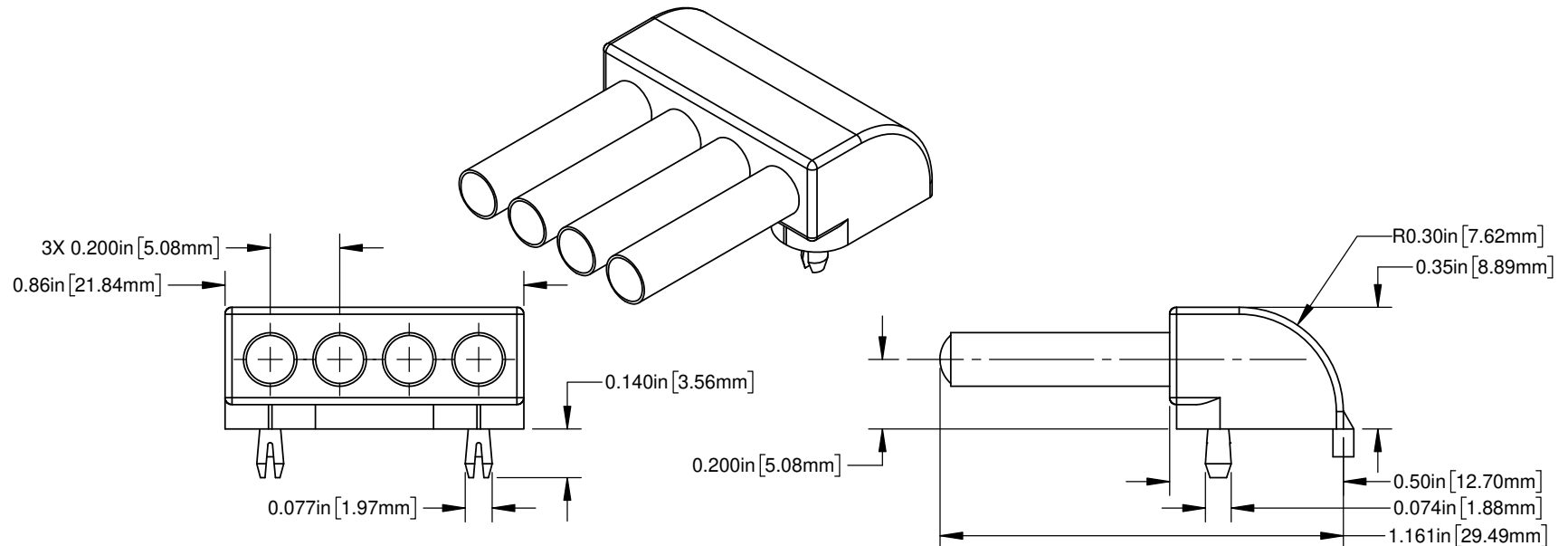



NOTES:

1. GENERAL SPECIFICATIONS: BIVAR MOLDED COMPONENTS SPECIFICATIONS: BV00-E101.
2. MATERIAL: LIGHT PIPE - POLYCARBONATE, 94V-0, CLEAR AND MOUNTING BASE - NYLON 66, 94V-0, BLACK.

| REVISIONS |                     |           |          |
|-----------|---------------------|-----------|----------|
| REV.      | DESCRIPTION         | DATE      | APPROVED |
| A         | Engineering Release | 3/19/2019 | G.O.     |



|  |  |   |  |
|--|--|---|--|
| STANDARD TOLERANCE<br>(UNLESS OTHERWISE SPECIFIED) |  | <br>4 THOMAS, IRVINE, CA. 92618<br>TEL: (949) 951-8808 FAX: (949) 951-3974 |  |
| DECIMALS<br>.X ±.1<br>.XX ±.01<br>.XXX ±.005       |  |   |  |
| DESIGNED:<br>K. BARON                              |  | DATE:<br>03/19/19   |  |
| REVISED:<br>N/A                                    |  | DATE:<br>N/A  |  |
| CHECKED:<br>TD. NGUYEN                             |  | DATE:<br>03/19/19   |  |
| TITLE:<br>BLS ARRAY, ANGLED, 4mm                   |  | REVISION:<br>A  |  |
| PART NO:<br>LPA4-200-1000D-1-4                     |  | CAGE CODE:<br>32559   |  |
| SCALE: 2:1   |  | SHEET # 1 OF 1  |  |
| CAD GENERATED DOCUMENT, DO NOT MEASURE DRAWING     |  |   |  |