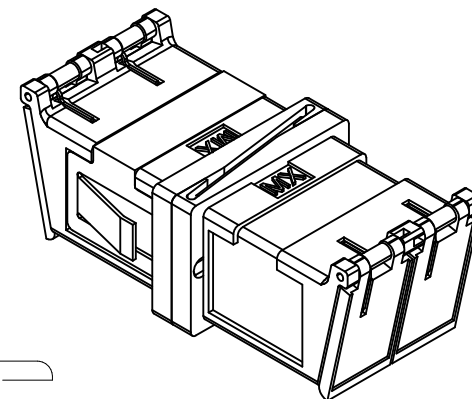
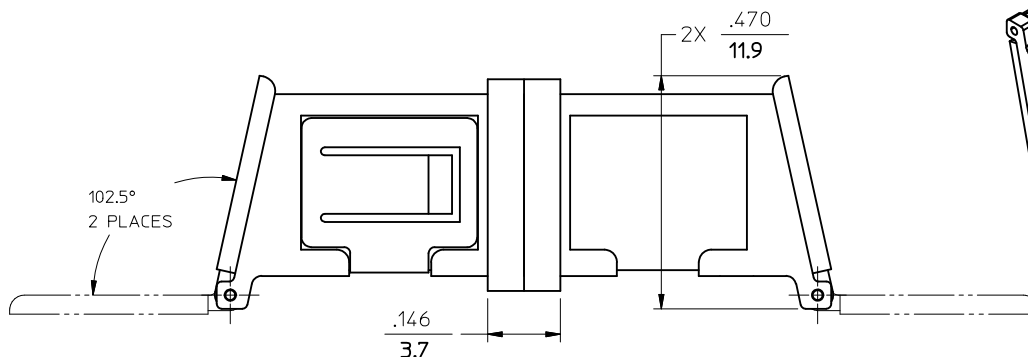
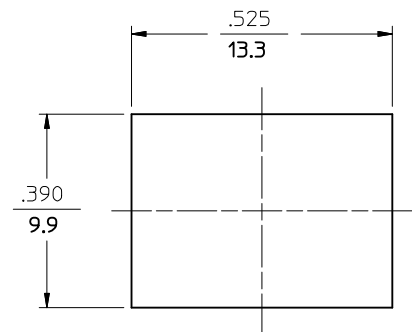
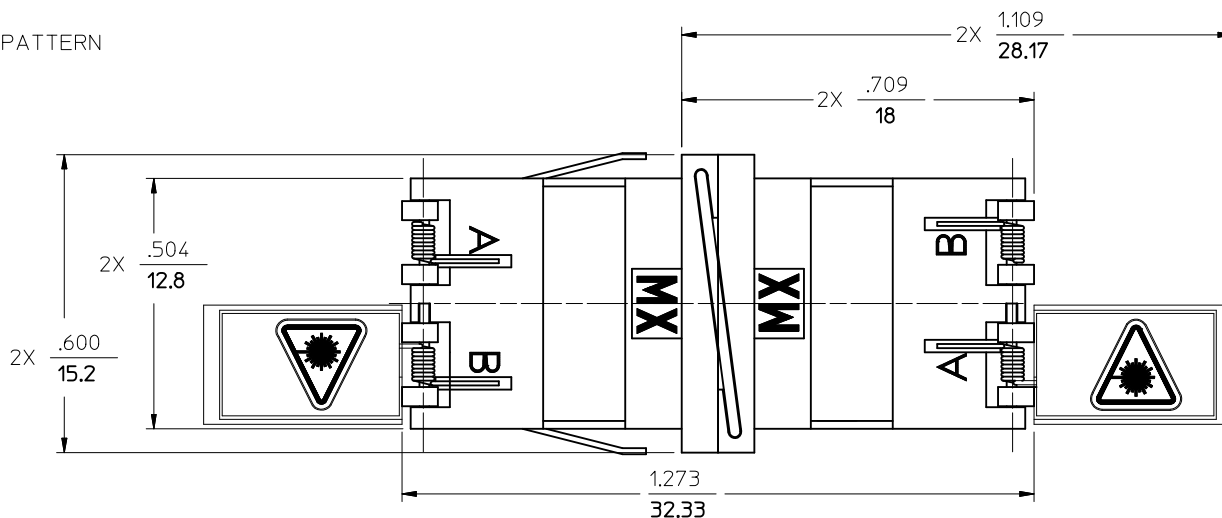
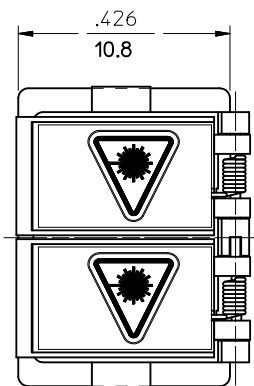


10	9
LC ADAPTER ASSY. P/N	LC SLEEVE MATERIAL
106128-0690	Ph. BRONZE
106128-1690	ZR



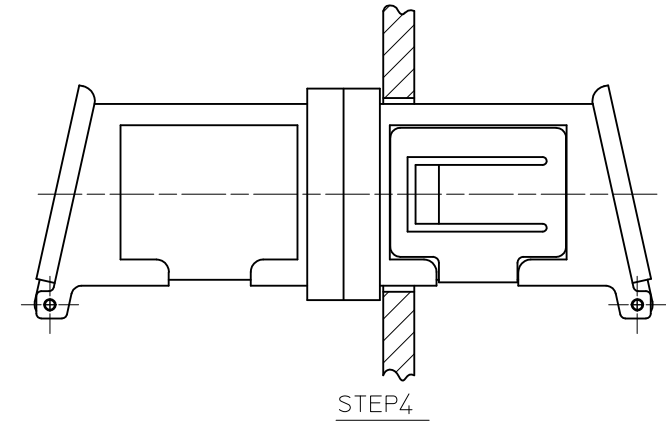
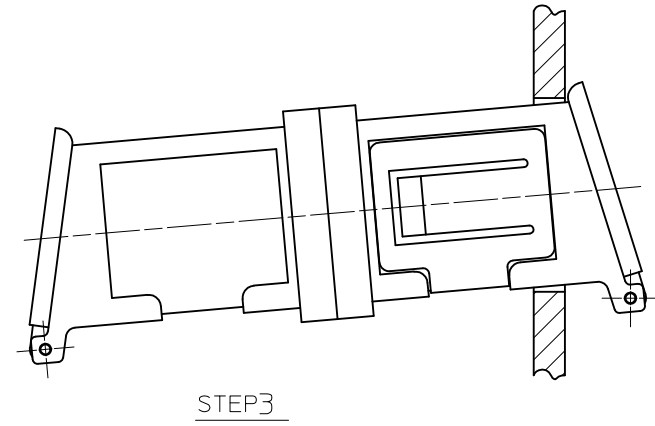
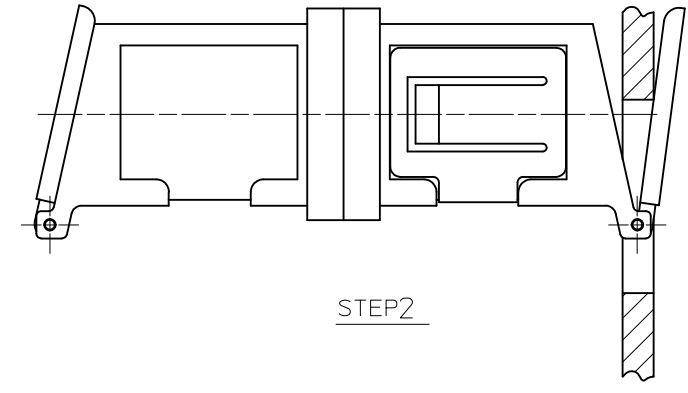
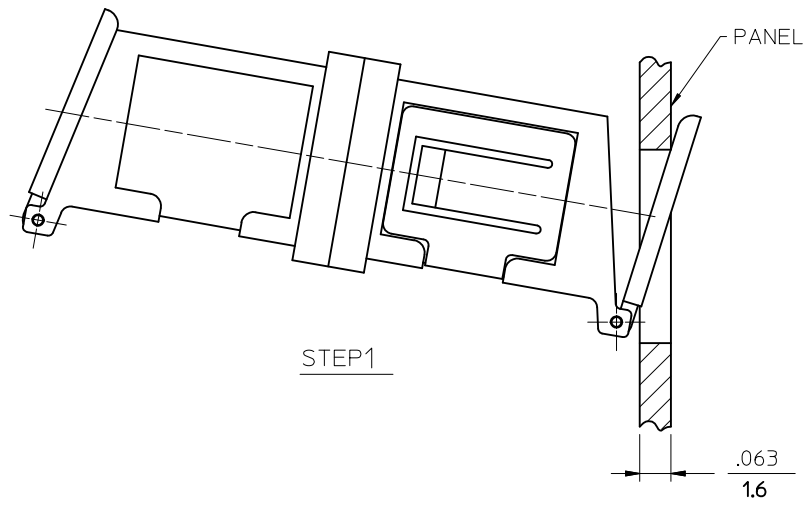
RECOMMENDED MOUNTING PATTERN  
FOR  $\frac{.063}{1.6}$  THICK PANEL



- NOTES:
1. ALL DIMENSIONS ARE FOR REFERENCE ONLY.
  2. USER ASSEMBLES LABELS.
  3. ADAPTERS TO BE PACKAGED IN TRAY

<b>ENTER DESCRIPTION</b> EC NO: MF2010-0240 DRW: MKPEVZNER 2009/12/04 CHKD: 2009/12/04 APPR: LGUMIN 2009/12/07	<b>QUALITY SYMBOLS</b> = 0 = 0	<b>GENERAL TOLERANCES (UNLESS SPECIFIED)</b> <table border="1"> <tr> <td></td> <td>mm</td> <td>INCH</td> </tr> <tr> <td>4 PLACES</td> <td>± .005</td> <td>± .0004</td> </tr> <tr> <td>3 PLACES</td> <td>± .004</td> <td>± .0003</td> </tr> <tr> <td>2 PLACES</td> <td>± .003</td> <td>± .0002</td> </tr> <tr> <td>1 PLACE</td> <td>± .002</td> <td>± .0001</td> </tr> </table>		mm	INCH	4 PLACES	± .005	± .0004	3 PLACES	± .004	± .0003	2 PLACES	± .003	± .0002	1 PLACE	± .002	± .0001	<b>DIMENSION STYLE</b> IN/MM	<b>SCALE</b> 4:1	<b>DESIGN UNITS</b> INCH	<b>THIRD ANGLE PROJECTION</b>
		mm	INCH																		
	4 PLACES	± .005	± .0004																		
	3 PLACES	± .004	± .0003																		
2 PLACES	± .003	± .0002																			
1 PLACE	± .002	± .0001																			
<b>DESCRIPTION</b> A3	<b>DRAFT WHERE APPLICABLE MUST REMAIN WITHIN DIMENSIONS</b>	<b>MATERIAL NO.</b> SEE TABLE	<b>DRAWN BY</b> PGIBLIN	<b>DATE</b> 2005/10/05	<b>TITLE</b> LC DUPLEX ADAPTER																
		<b>ANGULAR</b> ±1/2°	<b>CHECKED BY</b> DATE	<b>APPROVED BY</b> DATE	<b>MOLEX INCORPORATED</b>																
			<b>SIZE</b> B	<b>DOCUMENT NO.</b> SD-106128-X690	<b>SHEET NO.</b> 1 OF 02	THIS DRAWING CONTAINS INFORMATION THAT IS PROPRIETARY TO MOLEX INCORPORATED AND SHOULD NOT BE USED WITHOUT WRITTEN PERMISSION															

10 9 8 7 6 5 4 3 2 1



<b>ENTER DESCRIPTION</b> EC NO: MF2010-0240 2009/12/04 DRAWN: KPEVZNER 2009/12/04 CHKD: APPR: IGUMIN 2009/12/07 REV	QUALITY SYMBOLS ▼=0 ▽=0	GENERAL TOLERANCES (UNLESS SPECIFIED) <table border="1"> <thead> <tr> <th></th> <th>mm</th> <th>INCH</th> </tr> </thead> <tbody> <tr> <td>4 PLACES</td> <td>±---</td> <td>±---</td> </tr> <tr> <td>3 PLACES</td> <td>±---</td> <td>±---</td> </tr> <tr> <td>2 PLACES</td> <td>±---</td> <td>±---</td> </tr> <tr> <td>1 PLACE</td> <td>±---</td> <td>±---</td> </tr> </tbody> </table>		mm	INCH	4 PLACES	±---	±---	3 PLACES	±---	±---	2 PLACES	±---	±---	1 PLACE	±---	±---	DIMENSION STYLE IN/MM	SCALE 4:1	DESIGN UNITS INCH	THIRD ANGLE PROJECTION
		mm	INCH																		
	4 PLACES	±---	±---																		
	3 PLACES	±---	±---																		
2 PLACES	±---	±---																			
1 PLACE	±---	±---																			
DRAFT WHERE APPLICABLE MUST REMAIN WITHIN DIMENSIONS		DRAWN BY PGIBLIN	DATE 2005/10/05	TITLE LC DUPLEX ADAPTER																	
MATERIAL NO. 1061280690		APPROVED BY DATE		MOLEX INCORPORATED																	
SIZE B		DOCUMENT NO. SD-106128-X690		SHEET NO. 2 OF 02																	

9 8 7 6 5 4 3 2 1