



# STEVAL-IFS007V1

## Distributed proximity sensor demonstration board based on the TDA0161

Data Brief

### Features

- 4 TDA0161 proximity detectors capable of detecting the current losses in the passive coils connected to the board
- Each sensor supplied by a 24 V industrial type connector

### Description

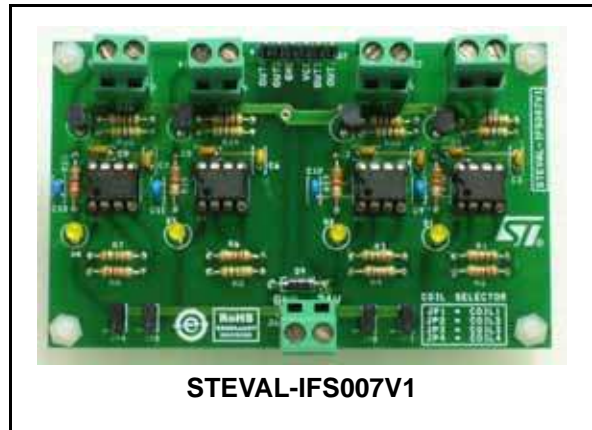
The STEVAL-IFS007V1 demonstration board is designed for easy connection to 24 V systems, as it is intended for use in factory automation environments. Optionally, the board can be connected to the STEVAL-IFP008V1 board, which hosts a current limited over-voltage protected quad digital termination.

The STEVAL-IFS007V1 can be used as a standalone in systems where no processing or control characteristics are required, or it can be integrated as an end-board in control systems. In the latter case an interface board, such as the above mentioned STEVAL-IFP008V1, is necessary to protect the microcontroller and other application-specific devices from high current and voltages outside of specifications.

When the board is used as a standalone, it is possible to connect up to 4 different, independent coils, each of which acts as the passive element to sense an incoming metallic object by sensing variations in high frequency eddy current losses.

In terms of output voltage, the variation is between approximately 8.5 V and 11.5 V in 24 V supplied systems, so the output span is approximately 3 V.

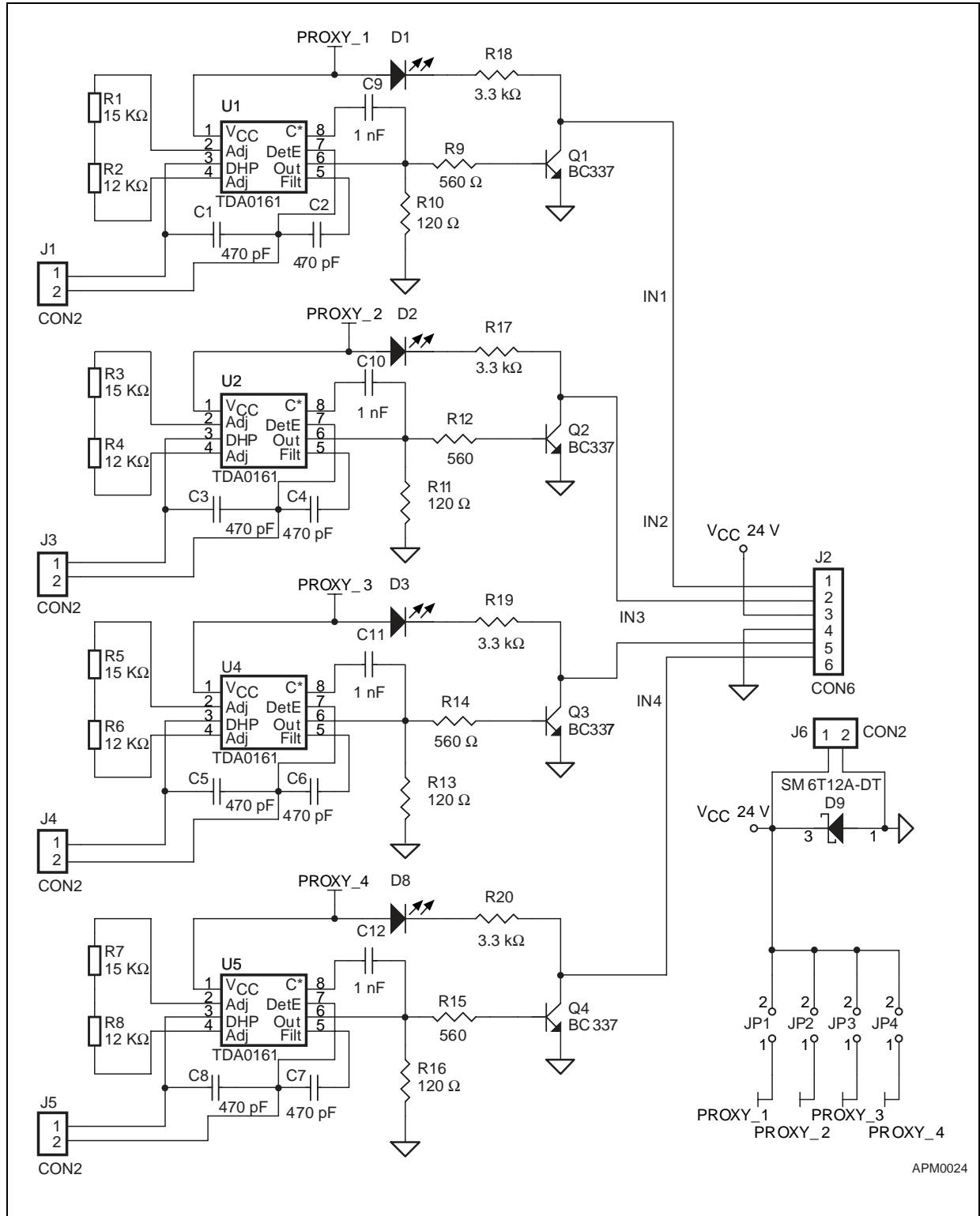
On-board jumpers can be used to enable/disable channels. LEDs on the board furnish local alerts when an object is close to one coil. The circuit parameters are tuned to detect metallic objects at a distance of up to 4 mm. For further details on parameter tuning and circuit and device



functionality, please refer to the TDA0161 device datasheet.

# 1 Block diagram

Figure 1. Proximity sensors



APM0024

## 2 Revision history

Table 1. Document revision history

| Date        | Revision | Changes          |
|-------------|----------|------------------|
| 07-Jul-2008 | 1        | Initial release. |

**Please Read Carefully:**

Information in this document is provided solely in connection with ST products. STMicroelectronics NV and its subsidiaries ("ST") reserve the right to make changes, corrections, modifications or improvements, to this document, and the products and services described herein at any time, without notice.

All ST products are sold pursuant to ST's terms and conditions of sale.

Purchasers are solely responsible for the choice, selection and use of the ST products and services described herein, and ST assumes no liability whatsoever relating to the choice, selection or use of the ST products and services described herein.

No license, express or implied, by estoppel or otherwise, to any intellectual property rights is granted under this document. If any part of this document refers to any third party products or services it shall not be deemed a license grant by ST for the use of such third party products or services, or any intellectual property contained therein or considered as a warranty covering the use in any manner whatsoever of such third party products or services or any intellectual property contained therein.

**UNLESS OTHERWISE SET FORTH IN ST'S TERMS AND CONDITIONS OF SALE ST DISCLAIMS ANY EXPRESS OR IMPLIED WARRANTY WITH RESPECT TO THE USE AND/OR SALE OF ST PRODUCTS INCLUDING WITHOUT LIMITATION IMPLIED WARRANTIES OF MERCHANTABILITY, FITNESS FOR A PARTICULAR PURPOSE (AND THEIR EQUIVALENTS UNDER THE LAWS OF ANY JURISDICTION), OR INFRINGEMENT OF ANY PATENT, COPYRIGHT OR OTHER INTELLECTUAL PROPERTY RIGHT.**

**UNLESS EXPRESSLY APPROVED IN WRITING BY AN AUTHORIZED ST REPRESENTATIVE, ST PRODUCTS ARE NOT RECOMMENDED, AUTHORIZED OR WARRANTED FOR USE IN MILITARY, AIR CRAFT, SPACE, LIFE SAVING, OR LIFE SUSTAINING APPLICATIONS, NOR IN PRODUCTS OR SYSTEMS WHERE FAILURE OR MALFUNCTION MAY RESULT IN PERSONAL INJURY, DEATH, OR SEVERE PROPERTY OR ENVIRONMENTAL DAMAGE. ST PRODUCTS WHICH ARE NOT SPECIFIED AS "AUTOMOTIVE GRADE" MAY ONLY BE USED IN AUTOMOTIVE APPLICATIONS AT USER'S OWN RISK.**

Resale of ST products with provisions different from the statements and/or technical features set forth in this document shall immediately void any warranty granted by ST for the ST product or service described herein and shall not create or extend in any manner whatsoever, any liability of ST.

ST and the ST logo are trademarks or registered trademarks of ST in various countries.

Information in this document supersedes and replaces all information previously supplied.

The ST logo is a registered trademark of STMicroelectronics. All other names are the property of their respective owners.

© 2008 STMicroelectronics - All rights reserved

STMicroelectronics group of companies

Australia - Belgium - Brazil - Canada - China - Czech Republic - Finland - France - Germany - Hong Kong - India - Israel - Italy - Japan - Malaysia - Malta - Morocco - Singapore - Spain - Sweden - Switzerland - United Kingdom - United States of America

[www.st.com](http://www.st.com)