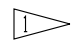
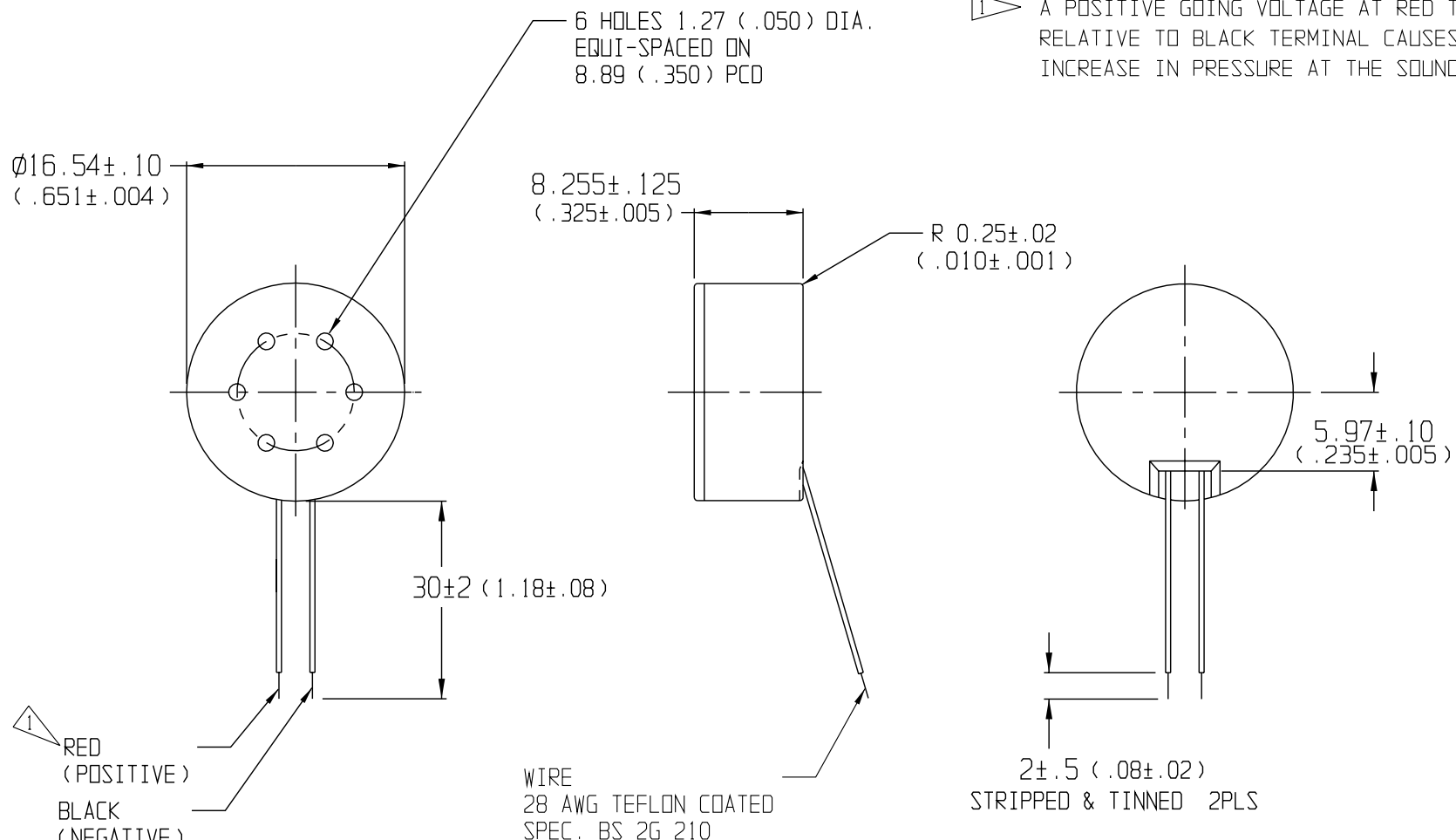


CM-23299-000

SHT 1.1

NOTE:

 A POSITIVE GOING VOLTAGE AT RED TERMINAL  
RELATIVE TO BLACK TERMINAL CAUSES AN  
INCREASE IN PRESSURE AT THE SOUND OUTLETS.



NOMINAL WEIGHT  
1.5 GRAMS

DIMENSIONS IN MILLIMETERS ( INCHES )

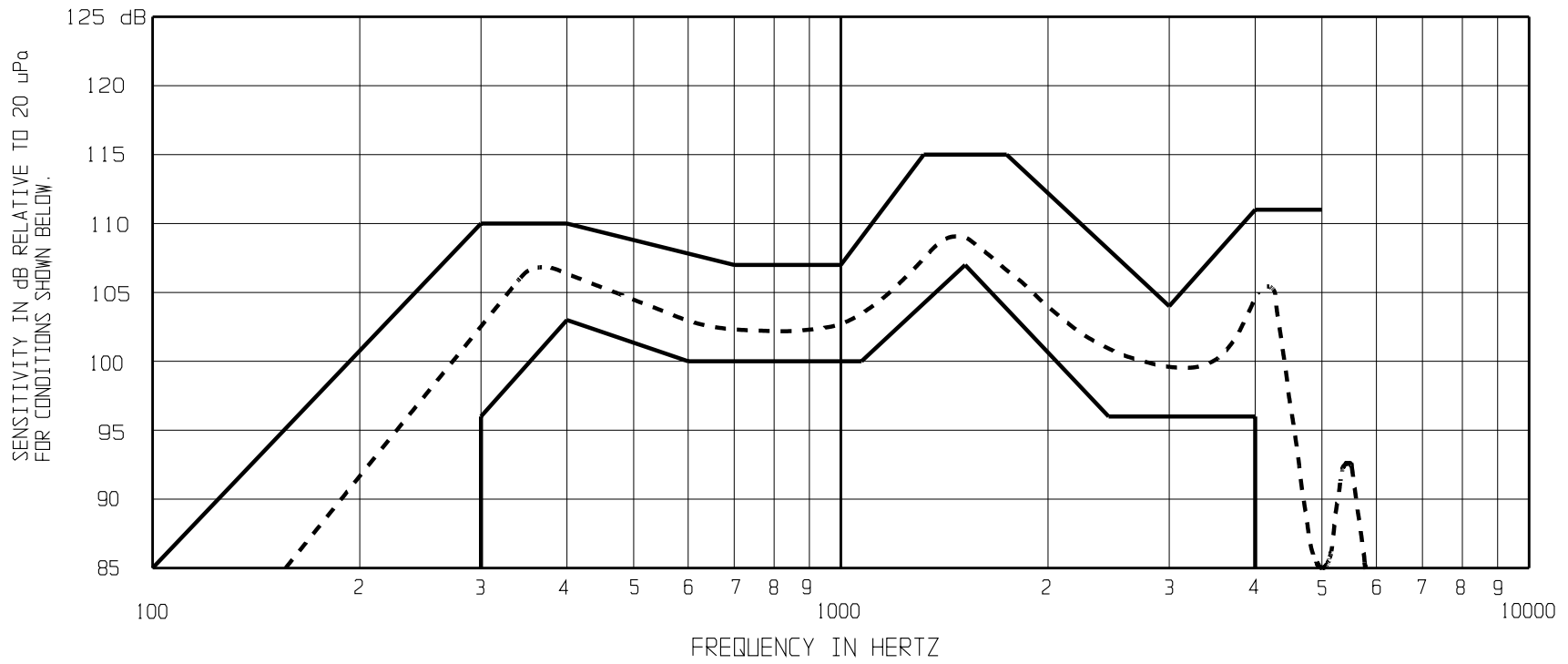
ISSUE
B

KNOWLES ELECTRONICS

KNOWLES ELECTRONICS, INC., ITASCA, ILLINOIS U.S.A.

KNOWLES ELECTRONICS, CO., BURGESS HILL, SUSSEX, ENGLAND

SCALE:	2:1	DR. BY	DATE
DO NOT SCALE DRAWING		AB	1-4-06
TITLE:	EARPIECE	CK. BY	DATE
OUTLINE DRAWING		GJP	1-8-06
	CM-23299-000	APP. BY	DATE
	SHT 1.1	GJP	1-8-06



NOTES:

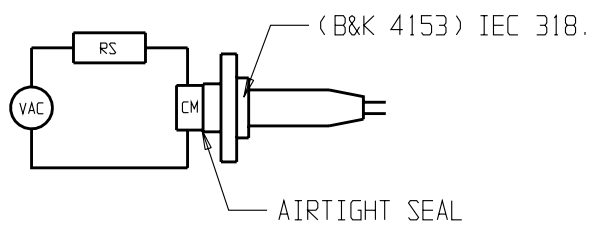
1. MEASUREMENTS MADE WITH UNIT UNDER TEST, SEALED TO AN IEC 318 COUPLER ( BRUEL & KJAER PART No. 4153 ).
2. ELECTRICAL SIGNAL ( SEE # 6 BELOW )

SENSITIVITY			SENSITIVITY Contd )		
FREQUENCY	MIN.	MAX.	FREQUENCY	MIN.	MAX.
100	---	85.0	1400	---	115.0
300	96.0	110.0	1600	107.0	---
400	103.0	110.0	1800	---	115.0
600	100.0	---	2500	96.0	---
700	---	107.0	3000	---	104.0
1000	---	107.0	4000	96.0	111.0
1100	100.0	---	5000	---	111.0

4. THERE WILL BE NO BUZZ OR RATTLE WHEN DRIVEN AT MAXIMUM DRIVE ( SEE # 6 BELOW ) & SWEPT FROM 300 Hz TO 4 KHz.
5. RESPONSE AND DISTORTION MEASUREMENTS MADE USING ELECTRICAL CONDITIONS SHOWN BELOW.
6. INDIVIDUAL SPECIFICATIONS.

STD DRIVE		DISTORTION		1 kHz IMP.(±15%)	D.C. RES @ 20°C (±10%)	MAX DRIVE	
VAC RMS	RS OHMS	MAX. %	FREQ Hz			VAC RMS	RS OHMS
0.20	300	2	300	150	69	1.0	300

7. TEST CONDITIONS.



ISSUE

B

KNOWLES ELECTRONICS

KNOWLES ELECTRONICS, INC., ITASCA, ILLINOIS U.S.A.

When test limits are used to establish incoming inspection acceptance/rejection criteria, correlation of test equipment with Knowles is also required for elimination of equipment and test method variations.

DR. BY DATE  
AB 1-4-06

CK. BY DATE  
GJP 1-8-06

APP. BY DATE  
GJP 1-8-06

TITLE: **EARPIECE**  
PERFORMANCE SPECIFICATION

**CM-23299-000**  
SHT 2.1