

- **High-Performance Floating-Point Digital Signal Processor (DSP):**
 - TMS320VC33-150
 - 13-ns Instruction Cycle Time
 - 150 Million Floating-Point Operations Per Second (MFLOPS)
 - 75 Million Instructions Per Second (MIPS)
 - TMS320VC33-120
 - 17-ns Instruction Cycle Time
 - 120 MFLOPS
 - 60 MIPS
- **34K × 32-Bit (1.1-Mbit) On-Chip Words of Dual-Access Static Random-Access Memory (SRAM) Configured in 2 × 16K Plus 2 × 1K Blocks to Improve Internal Performance**
- **x5 Phase-Locked Loop (PLL) Clock Generator**
- **Very Low Power: < 200 mW @ 150 MFLOPS**
- **32-Bit High-Performance CPU**
- **16-/32-Bit Integer and 32-/40-Bit Floating-Point Operations**
- **Four Internally Decoded Page Strobes to Simplify Interface to I/O and Memory Devices**
- **Boot-Program Loader**
- **EDGEMODE Selectable External Interrupts**
- **32-Bit Instruction Word, 24-Bit Addresses**
- **Eight Extended-Precision Registers**
- **On-Chip Memory-Mapped Peripherals:**
 - One Serial Port
 - Two 32-Bit Timers
 - Direct Memory Access (DMA) Coprocessor for Concurrent I/O and CPU Operation
- **Fabricated Using the 0.18- μ m (I_{eff} -Effective Gate Length) TImeline™ Process Technology by Texas Instruments (TI)**
- **144-Pin Low-Profile Quad Flatpack (LQFP) (PGE Suffix)**
- **Two Address Generators With Eight Auxiliary Registers and Two Auxiliary Register Arithmetic Units (ARAUs)**
- **Two Low-Power Modes**
- **Two- and Three-Operand Instructions**
- **Parallel Arithmetic/Logic Unit (ALU) and Multiplier Execution in a Single Cycle**
- **Block-Repeat Capability**
- **Zero-Overhead Loops With Single-Cycle Branches**
- **Conditional Calls and Returns**
- **Interlocked Instructions for Multiprocessing Support**
- **Bus-Control Registers Configure Strobe-Control Wait-State Generation**
- **1.8-V (Core) and 3.3-V (I/O) Supply Voltages**
- **On-Chip Scan-Based Emulation Logic, IEEE Std 1149.1[†] (JTAG)**

description

The TMS320VC33 DSP is a 32-bit, floating-point processor manufactured in 0.18- μ m four-level-metal CMOS (TImeline) technology. The TMS320VC33 is part of the TMS320C3x generation of DSPs from Texas Instruments.

The TMS320C3x's internal busing and special digital-signal-processing instruction set have the speed and flexibility to execute up to 150 million floating-point operations per second (MFLOPS). The TMS320VC33 optimizes speed by implementing functions in hardware that other processors implement through software or microcode. This hardware-intensive approach provides performance previously unavailable on a single chip.

The TMS320VC33 can perform parallel multiply and ALU operations on integer or floating-point data in a single cycle. Each processor also possesses a general-purpose register file, a program cache, dedicated ARAUs, internal dual-access memories, one DMA channel supporting concurrent I/O, and a short machine-cycle time. High performance and ease of use are the results of these features.



Please be aware that an important notice concerning availability, standard warranty, and use in critical applications of Texas Instruments semiconductor products and disclaimers thereto appears at the end of this data sheet.

TImeline is a trademark of Texas Instruments.

Other trademarks are the property of their respective owners.

[†] IEEE Standard 1149.1-1990 Standard-Test-Access Port

PRODUCTION DATA information is current as of publication date. Products conform to specifications per the terms of Texas Instruments standard warranty. Production processing does not necessarily include testing of all parameters.



TMS320VC33

DIGITAL SIGNAL PROCESSOR

SPRS087E - FEBRUARY 1999 - REVISED JANUARY 2004

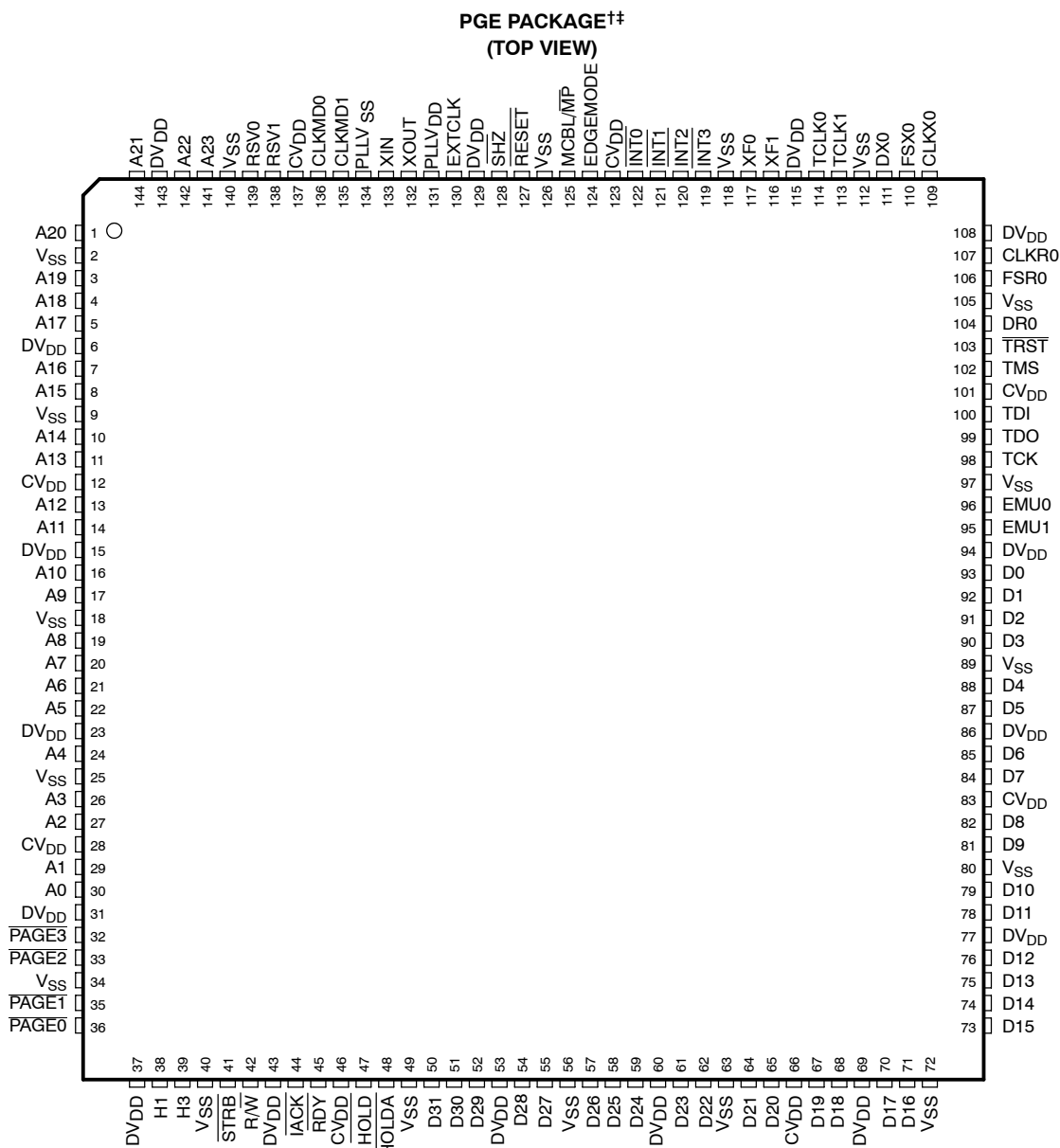
description (continued)

General-purpose applications are greatly enhanced by the large address space, multiprocessor interface, internally and externally generated wait states, one external interface port, two timers, one serial port, and multiple-interrupt structure. The TMS320C3x supports a wide variety of system applications from host processor to dedicated coprocessor. High-level-language support is easily implemented through a register-based architecture, large address space, powerful addressing modes, flexible instruction set, and well-supported floating-point arithmetic.

The TMS320VC33 is a superset of the TMS320C31. Designers now have an additional 1M bits of on-chip SRAM, a maximum throughput of 150 MFLOPS, and several I/O enhancements that allow easy upgrades to current systems or creation of new baselines. This data sheet provides information required to fully utilize the new features of the TMS320VC33 device. For general TMS320C3x architecture and programming information, see the *TMS320C3x User's Guide* (literature number SPRU031).



pinout



† DVDD is the power supply for the I/O pins while CVDD is the power supply for the core CPU. VSS is the ground for both the I/O pins and the core CPU.

‡ PLLVDD and PLLVSS are isolated PLL supply pins that should be externally connected to CVDD and VSS, respectively.

The TMS320VC33 device is packaged in 144-pin low-profile quad flatpack (PGE Suffix).

TMS320VC33 DIGITAL SIGNAL PROCESSOR

SPRS087E - FEBRUARY 1999 - REVISED JANUARY 2004

Terminal Assignments† (Alphabetical)

SIGNAL NAME	PIN NUMBER	SIGNAL NAME	PIN NUMBER	SIGNAL NAME	PIN NUMBER	SIGNAL NAME	PIN NUMBER
A0	30	D0	93	DV _{DD}	31	R/W	42
A1	29	D1	92		37	RDY	45
A2	27	D2	91		43	RESET	127
A3	26	D3	90		53	RSV0	139
A4	24	D4	88		60	RSV1	138
A5	22	D5	87		69	SHZ	128
A6	21	D6	85		77	STRB	41
A7	20	D7	84		86	TCK	98
A8	19	D8	82		94	TCLK0	114
A9	17	D9	81		108	TCLK1	113
A10	16	D10	79		115	TDI	100
A11	14	D11	78		129	TDO	99
A12	13	D12	76		143	TMS	102
A13	11	D13	75		DX0	111	TRST
A14	10	D14	74	EDGEMODE	124	V _{SS}	2
A15	8	D15	73	EMU0	96		9
A16	7	D16	71	EMU1	95		18
A17	5	D17	70	EXTCLK	130		25
A18	4	D18	68	FSR0	106		34
A19	3	D19	67	FSX0	110		40
A20	1	D20	65	H1	38		49
A21	144	D21	64	H3	39		56
A22	142	D22	62	HOLD	47		63
A23	141	D23	61	HOLDA	48		72
CLKMD0	136	D24	59	TACK	44		80
CLKMD1	135	D25	58	INT0	122		89
CLKR0	107	D26	57	INT1	121		97
CLKX0	109	D27	55	INT2	120		105
CV _{DD}	12	D28	54	INT3	119		112
	28	D29	52	MCBL/MP	125		118
	46	D30	51	PAGE0	36		126
	66	D31	50	PAGE1	35		140
	83	DR0	104	PAGE2	33	XIN	133
	101	DV _{DD}	6	PAGE3	32	XOUT	132
	123		15	PLL _{VDD} ‡	131	XF0	117
137	23		PLL _{VSS} ‡	134	XF1	116	

† DV_{DD} is the power supply for the I/O pins while CV_{DD} is the power supply for the core CPU. V_{SS} is the ground for both the I/O pins and the core CPU.

‡ PLL_{VDD} and PLL_{VSS} are isolated PLL supply pins that should be externally connected to CV_{DD} and V_{SS}, respectively.

Terminal Assignments[†] (Numerical)

PIN NUMBER	SIGNAL NAME	PIN NUMBER	SIGNAL NAME	PIN NUMBER	SIGNAL NAME	PIN NUMBER	SIGNAL NAME
1	A20	37	DV _{DD}	73	D15	109	CLKX0
2	V _{SS}	38	H1	74	D14	110	FSX0
3	A19	39	H3	75	D13	111	DX0
4	A18	40	V _{SS}	76	D12	112	V _{SS}
5	A17	41	STR _B	77	DV _{DD}	113	TCLK1
6	DV _{DD}	42	R/W	78	D11	114	TCLK0
7	A16	43	DV _{DD}	79	D10	115	DV _{DD}
8	A15	44	TACK	80	V _{SS}	116	XF1
9	V _{SS}	45	RDY	81	D9	117	XF0
10	A14	46	CV _{DD}	82	D8	118	V _{SS}
11	A13	47	HOLD	83	CV _{DD}	119	INT ₃
12	CV _{DD}	48	HOLDA	84	D7	120	INT ₂
13	A12	49	V _{SS}	85	D6	121	INT ₁
14	A11	50	D31	86	DV _{DD}	122	INT ₀
15	DV _{DD}	51	D30	87	D5	123	CV _{DD}
16	A10	52	D29	88	D4	124	EDGEMODE
17	A9	53	DV _{DD}	89	V _{SS}	125	MCBL/MP
18	V _{SS}	54	D28	90	D3	126	V _{SS}
19	A8	55	D27	91	D2	127	RESET
20	A7	56	V _{SS}	92	D1	128	SHZ
21	A6	57	D26	93	D0	129	DV _{DD}
22	A5	58	D25	94	DV _{DD}	130	EXTCLK
23	DV _{DD}	59	D24	95	EMU1	131	PLL _{VDD} [‡]
24	A4	60	DV _{DD}	96	EMU0	132	XOUT
25	V _{SS}	61	D23	97	V _{SS}	133	XIN
26	A3	62	D22	98	TCK	134	PLL _{VSS} [‡]
27	A2	63	V _{SS}	99	TDO	135	CLKMD1
28	CV _{DD}	64	D21	100	TDI	136	CLKMD0
29	A1	65	D20	101	CV _{DD}	137	CV _{DD}
30	A0	66	CV _{DD}	102	TMS	138	RSV1
31	DV _{DD}	67	D19	103	TRST	139	RSV0
32	PAGE ₃	68	D18	104	DR0	140	V _{SS}
33	PAGE ₂	69	DV _{DD}	105	V _{SS}	141	A23
34	V _{SS}	70	D17	106	FSR0	142	A22
35	PAGE ₁	71	D16	107	CLKR0	143	DV _{DD}
36	PAGE ₀	72	V _{SS}	108	DV _{DD}	144	A21

[†] DV_{DD} is the power supply for the I/O pins while CV_{DD} is the power supply for the core CPU. V_{SS} is the ground for both the I/O pins and the core CPU.

[‡] PLL_{VDD} and PLL_{VSS} are isolated PLL supply pins that should be externally connected to CV_{DD} and V_{SS}, respectively.

TMS320VC33 DIGITAL SIGNAL PROCESSOR

SPRS087E - FEBRUARY 1999 - REVISED JANUARY 2004

Terminal Functions

TERMINAL NAME	QTY	TYPE†	DESCRIPTION	CONDITIONS WHEN SIGNAL IS Z TYPE‡
PRIMARY-BUS INTERFACE				
D31-D0	32	I/O/Z	32-bit data port Data port bus keepers (See Figure 9)	S H R S
A23-A0	24	O/Z	24-bit address port	S H R
R/W	1	O/Z	Read/write. R/W is high when a read is performed and low when a write is performed over the parallel interface.	S H R
STRB	1	O/Z	Strobe. For all external-accesses	S H
PAGE0 - PAGE3	1	O/Z	Page strobes. Four decoded page strobes for external access.	S H R
RDY	1	I	Ready. RDY indicates that the external device is prepared for a transaction completion.	
HOLD	1	I	Hold. When HOLD is a logic low, any ongoing transaction is completed. A23-A0, D31-D0, STRB, and R/W are placed in the high-impedance state and all transactions over the primary-bus interface are held until HOLD becomes a logic high or until the NOHOLD bit of the primary-bus-control register is set.	
HOLDA	1	O/Z	Hold acknowledge. HOLDA is generated in response to a logic-low on HOLD. HOLDA indicates that A23-A0, D31-D0, STRB, and R/W are in the high-impedance state and that all transactions over the bus are held. HOLDA is high in response to a logic-high of HOLD or the NOHOLD bit of the primary-bus-control register is set.	S
CONTROL SIGNALS				
RESET	1	I	Reset. When RESET is a logic low, the device is in the reset condition. When RESET becomes a logic high, execution begins from the location specified by the reset vector.	
EDGEMODE	1	I	Edge mode. Enables interrupt edge mode detection.	
INT3-INT0	4	I	External interrupts	
IACK	1	O/Z	Interrupt acknowledge. IACK is generated by the IACK instruction. IACK can be used to indicate when a section of code is being executed.	S
MCBL/MP	1	I	Microcomputer Bootloader/microprocessor mode-select	
SHZ	1	I	Shutdown high impedance. When active, SHZ places all pins in the high-impedance state. SHZ can be used for board-level testing or to ensure that no dual-drive conditions occur. CAUTION: A low on SHZ corrupts the device memory and register contents. Reset the device with SHZ high to restore it to a known operating condition.	
XF1, XF0	2	I/O/Z	External flags. XF1 and XF0 are used as general-purpose I/Os or to support interlocked processor instruction.	S R
SERIAL PORT 0 SIGNALS				
CLKR0	1	I/O/Z	Serial port 0 receive clock. CLKR0 is the serial shift clock for the serial port 0 receiver.	S R
CLKX0	1	I/O/Z	Serial port 0 transmit clock. CLKX0 is the serial shift clock for the serial port 0 transmitter.	S R
DR0	1	I/O/Z	Data-receive. Serial port 0 receives serial data on DR0.	S R
DX0	1	I/O/Z	Data-transmit output. Serial port 0 transmits serial data on DX0.	S R
FSR0	1	I/O/Z	Frame-synchronization pulse for receive. The FSR0 pulse initiates the data-receive process using DR0.	S R
FSX0	1	I/O/Z	Frame-synchronization pulse for transmit. The FSX0 pulse initiates the data-transmit process using DX0.	S R

† I = input, O = output, Z = high-impedance state

‡ S = SHZ active, H = HOLD active, R = RESET active

§ Recommended decoupling. Four 0.1 µF for CV_{DD} and eight 0.1 µF for DV_{DD}.



Terminal Functions (Continued)

TERMINAL NAME	QTY	TYPE†	DESCRIPTION	CONDITIONS WHEN SIGNAL IS Z TYPE‡
TIMER SIGNALS				
TCLK0	1	I/O/Z	Timer clock 0. As an input, TCLK0 is used by timer 0 to count external pulses. As an output, TCLK0 outputs pulses generated by timer 0.	S R
TCLK1	1	I/O/Z	Timer clock 1. As an input, TCLK1 is used by timer 1 to count external pulses. As an output, TCLK1 outputs pulses generated by timer 1.	S R
SUPPLY AND OSCILLATOR SIGNALS				
H1	1	O/Z	External H1 clock	S
H3	1	O/Z	External H3 clock	S
CV _{DD}	8	I	+V _{DD} . Dedicated 1.8-V power supply for the core CPU. All must be connected to a common supply plane.§	
DV _{DD}	16	I	+V _{DD} . Dedicated 3.3-V power supply for the I/O pins. All must be connected to a common supply plane.§	
V _{SS}	18	I	Ground. All grounds must be connected to a common ground plane.	
PLL _{VDD}	1	I	Internally isolated PLL supply. Connect to CV _{DD} (1.8 V)	
PLL _{VSS}	1	I	Internally isolated PLL ground. Connect to V _{SS}	
EXTCLK	1	I	External clock. Logic level compatible clock input. If the XIN/XOUT oscillator is used, tie this pin to ground.	
XOUT	1	O	Clock out. Output from the internal-crystal oscillator. If a crystal is not used, XOUT should be left unconnected.	
XIN	1	I	Clock in. Internal-oscillator input from a crystal. If EXTCLK is used, tie this pin to ground.	
CLKMD0, CLKMD1	2	I	Clock mode select pins	
RSV0 - RSV1	2	I	Reserved. Use individual pullups to DV _{DD} .	
JTAG EMULATION				
EMU1-EMU0	2	I/O	Emulation pins 0 and 1, use individual pullups to DV _{DD}	
TDI	1	I	Test data input	
TDO	1	O	Test data output	
TCK	1	I	Test clock	
TMS	1	I	Test mode select	
TRST	1	I	Test reset	

† I = input, O = output, Z = high-impedance state

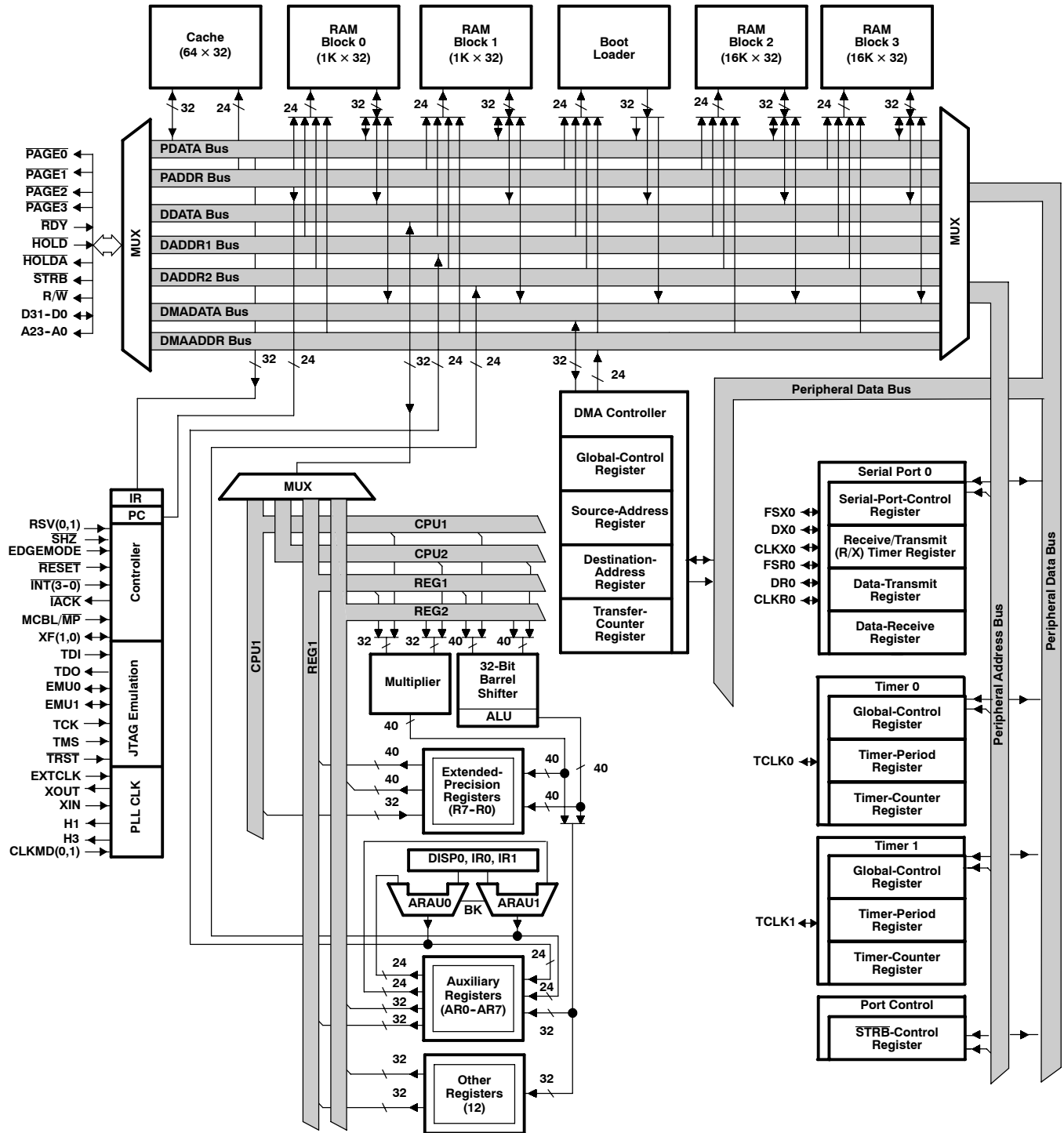
‡ S = $\overline{\text{SHZ}}$ active, H = $\overline{\text{HOLD}}$ active, R = $\overline{\text{RESET}}$ active

§ Recommended decoupling. Four 0.1 μF for CV_{DD} and eight 0.1 μF for DV_{DD}.

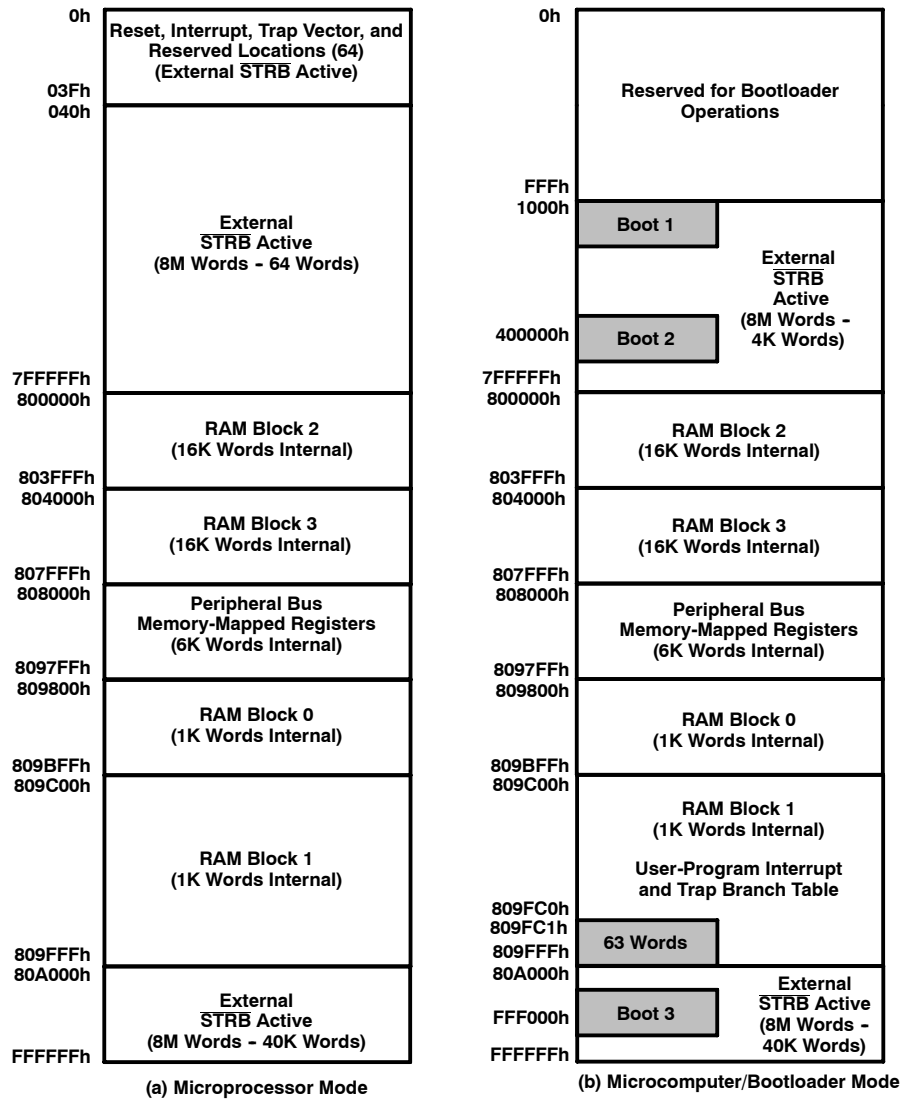
TMS320VC33 DIGITAL SIGNAL PROCESSOR

SPRS087E - FEBRUARY 1999 - REVISED JANUARY 2004

functional block diagram



memory map



NOTE A: $\overline{\text{STRB}}$ is active over all external memory ranges. $\overline{\text{PAGE0}}$ to $\overline{\text{PAGE3}}$ are configured as external bus strobes. These are simple decoded strobes that have no configuration registers and are active only during external bus activity over the following ranges:

Name	Active range
$\overline{\text{PAGE0}}$	0000000h – 03FFFFFFh
$\overline{\text{PAGE1}}$	0400000h – 07FFFFFFh
$\overline{\text{PAGE2}}$	0800000h – 0BFFFFFFh
$\overline{\text{PAGE3}}$	0C00000h – 0FFFFFFFh
$\overline{\text{STRB}}$	0000000h – 0FFFFFFFh

Figure 1. TMS320VC33 Memory Maps

TMS320VC33 DIGITAL SIGNAL PROCESSOR

SPRS087E - FEBRUARY 1999 - REVISED JANUARY 2004

memory map (continued)

00h	Reset
01h	INT0
02h	INT1
03h	INT2
04h	INT3
05h	XINT0
06h	RINT0
07h	Reserved
08h	
09h	TINT0
0Ah	TINT1
0Bh	DINT
0Ch	Reserved
1Fh	
20h	TRAP 0
	•
	•
	•
3Bh	TRAP 27
3Ch	Reserved
3Fh	

(a) Microprocessor Mode

809FC1h	INT0
809FC2h	INT1
809FC3h	INT2
809FC4h	INT3
809FC5h	XINT0
809FC6h	RINT0
809FC7h	Reserved
809FC8h	
809FC9h	TINT0
809FCAh	TINT1
809FCBh	DINT
809FCCh	Reserved
809FDFh	
809FE0h	TRAP 0
	•
	•
	•
809FFBh	TRAP 27
809FFCh	Reserved
809FFFh	

(b) Microcomputer/Bootloader Mode

Figure 2. Reset, Interrupt, and Trap Vector/Branches Memory-Map Locations

memory map (continued)

808000h	DMA Global Control
808004h	DMA Source Address
808006h	DMA Destination Address
808008h	DMA Transfer Counter
808020h	Timer 0 Global Control
808024h	Timer 0 Counter
808028h	Timer 0 Period Register
808030h	Timer 1 Global Control
808034h	Timer 1 Counter
808038h	Timer 1 Period Register
808040h	Serial Global Control
808042h	FSX/DX/CLKX Serial Port Control
808043h	FSR/DR/CLKR Serial Port Control
808044h	Serial R/X Timer Control
808045h	Serial R/X Timer Counter
808046h	Serial R/X Timer Period Register
808048h	Data-Transmit
80804Ch	Data-Receive
808064h	Primary-Bus Control

NOTE A: Shading denotes reserved address locations.

Figure 3. Peripheral Bus Memory-Mapped Registers

clock generator

The clock generator provides clocks to the VC33 device, and consists of an internal oscillator and a phase-locked loop circuit. The clock generator requires a reference clock input, which can be provided by using a crystal resonator with the internal oscillator, or from an external clock source. The PLL circuit generates the device clock by multiplying the reference clock frequency by a x5 scale factor, allowing use of a clock source with a lower frequency than that of the CPU. The PLL is an adaptive circuit that, once synchronized, locks onto and tracks an input clock signal.

TMS320VC33 DIGITAL SIGNAL PROCESSOR

SPRS087E - FEBRUARY 1999 - REVISED JANUARY 2004

PLL and clock oscillator control

The clock mode control pins are decoded into four operational modes as shown in Figure 4. These modes control clock divide ratios, oscillator, and PLL power (see Table 1).

When an external clock input or crystal is connected, the opposite unused input is simply grounded. An XOR gate then passes one of the two signal sources to the PLL stage. This allows the direct injection of a clock reference into EXTCLK, or 1–20 MHz crystals and ceramic resonators with the oscillator circuit. The two clock sources include:

- A crystal oscillator circuit, where a crystal or ceramic resonator is connected across the XOUT and XIN pins and EXTCLK is grounded.
- An external clock input, where an external clock source is directly connected to the EXTCLK pin, and XOUT is left unconnected and XIN is grounded.

When the PLL is initially started, it enters a transitional mode during which the PLL acquires lock with the input signal. Once the PLL is locked, it continues to track and maintain synchronization with the input signal. The PLL is a simple x5 reference multiplier with bypass and power control.

The clock divider, under CPU control, reduces the clock reference by 1 (MAXSPEED), 1/16 (LOWPOWER), or clock stop (IDLE2). Wake-up from the IDLE2 state is accomplished by a $\overline{\text{RESET}}$ or interrupt pin logic-low state.

A divide-by-two TMS320C31 equivalent mode of operation is also provided. In this case, the clock output reference is further divided by two with clock synchronization being determined by the timing of $\overline{\text{RESET}}$ falling relative to the present H1/H3 state.

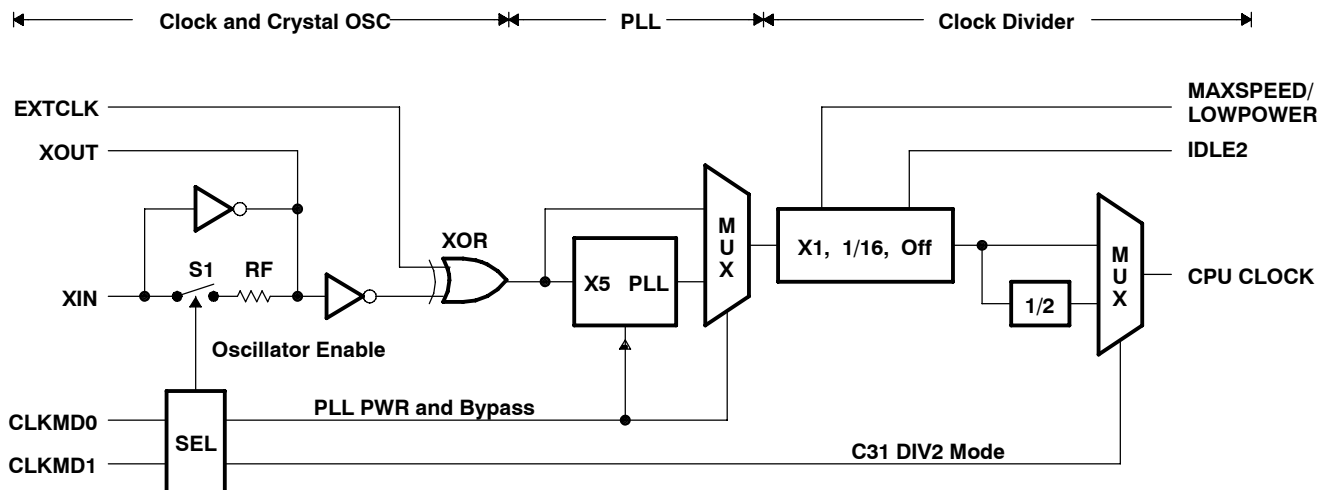


Figure 4. Clock Generation

Table 1. Clock Mode Select Pins

CLKMD0	CLKMD1	FEEDBACK	PLL PWR	RATIO	NOTES
0	0	Off	Off	1	Fully static, very low power
0	1	On	Off	1/2	Oscillator enabled
1	0	On	Off	1	Oscillator enabled
1	1	On	On	5	2 mA @ 60 MHz, 1.8 V PLL power. Oscillator enabled

PLL and clock oscillator control (continued)

Typical crystals in the 8–30 MHz range have a series resistance of 25 Ω , which increases below 8 MHz. To maintain proper filtering and phase relationships, R_d and Z_{out} of the oscillator circuit should be 10x–40x that of the crystal. A series compensation resistor (R_d), shown in Figure 5, is recommended when using lower frequency crystals. The XOUT output, the square wave inverse of XIN, is then filtered by the XOUT output impedance, C1 load capacitor, and R_d (if present). The crystal and C2 input load capacitor then refilters this signal, resulting in a XIN signal that is 75–85% of the oscillator supply voltage.

NOTE: Some ceramic resonators are available in a low-cost, three-terminal package that includes C1 and C2 internally. Typically, ceramic resonators do not provide the frequency accuracy of crystals.

NOTE: Better PLL stability can be achieved using the optional power supply isolation circuit shown in Figure 5. A similar filter can be used to isolate the PLLV_{SS}, as shown in Figure 6. PLLV_{DD} can also be directly connected to CV_{DD}.

Table 2. Typical Crystal Circuit Loading

FREQUENCY (MHz)	R _d (Ω)	C1 (pF)	C2 (pF)	CL [†] (pF)	RL [†] (Ω)
2	4.7k	18	18	12	200
5	2.2k	18	18	12	60
10	470	15	15	12	30
15	0	15	12	12	25
20	0	9	9	10	25

[†] CL and RL are typical internal series load capacitance and resistance of the crystal.

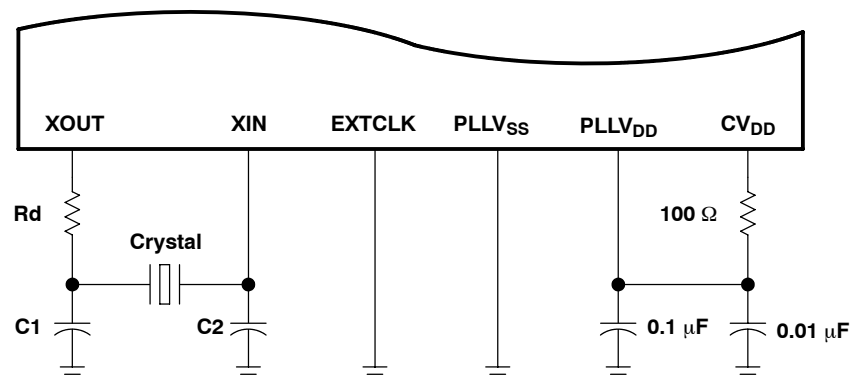


Figure 5. Self-Oscillation Mode

TMS320VC33 DIGITAL SIGNAL PROCESSOR

SPRS087E - FEBRUARY 1999 - REVISED JANUARY 2004

PLL isolation

The internal PLL supplies can be directly connected to CV_{DD} and V_{SS} (0 Ω case), partially isolated as shown in Figure 5, or fully isolated as shown in Figure 6. The RC network prevents the PLL supplies from turning high frequency noise in the CV_{DD} and V_{SS} supplies into jitter.

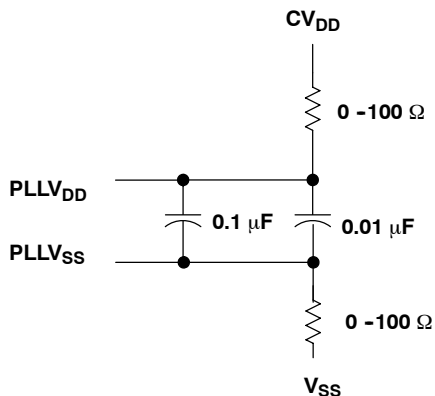


Figure 6. PLL Isolation Circuit Diagram

clock and PLL considerations on initialization

On power up, the CPU clock divide mode can be in MAXSPEED, LOPOWER or IDLE2, or the PLL could be in an undefined mode. \overline{RESET} falling in the presence of a valid CPU clock is used to clear this state, after which the device will synchronously terminate any external activity.

The 5x Fclk_{in} PLL of the TMS320VC33 contains an 8-bit PLL-LOCK counter which causes the PLL to output a frequency of Fclk_{in}/2 during the initial ramp. This counter, however, does not increment while \overline{RESET} is low or in the absence of an input clock. A minimum of 256 input clocks are required before the first falling edge of reset for the PLL to output to clear this counter. The setup and behavior that is seen is as follows.

Power is applied to the DSP with \overline{RESET} low and the input clock high or low. A clock is applied (\overline{RESET} is still low) and the PLL appears to lock on to the input clock, producing the expected x5 output frequency. \overline{RESET} is driven high and the PLL output immediately drops to Fclk_{in}/2 for 0-256 input cycles or 128 of the Fclk_{in}/2 output cycles. The PLL/CPU clock then switches to x5 mode.

The switch over is synchronous and does not create a clock glitch, so the only effect is that the CPU runs slow for up to the first 128 cycles after reset goes high. Once the PLL has stabilized, the counter will remain cleared and subsequent resets will not exhibit this condition.

Systems that are not using the crystal oscillator may be required to supply a current of 250mA per DSP if full power is applied with no clock source. This extra current condition is a result of uninitialized internal logic within the DSP core and is corrected when the CPU sees a minimum of four internal clocks. The crystal oscillator is typically immune to this condition since the oscillator and core circuitry become semi-functional at $CV_{DD} = 1$ V where the fault current is considerably lower. An alternate clock pulse can also be applied to either the EXTCLK or XIN clock input pins.

power sequencing considerations

Though an internal ESD and CMOS latchup protection diode exists between CV_{DD} and DV_{DD} , it should not be considered a current-carrying device on power up. An external Schottky diode should be used to prevent CV_{DD} from exceeding DV_{DD} by more than 0.7 V. The effect of this diode during power up is that if CV_{DD} is powered up first, DV_{DD} follows by one diode drop even when the DV_{DD} supply is not active.

Typical systems using LDOs of the same family type for both DV_{DD} and CV_{DD} will track each other during power up. In most cases, this is acceptable; but if a high-impedance pin state is required on power up, the \overline{SHZ} pin can be used to asynchronously disable all outputs. \overline{RESET} should not be used in this case since some signals require an active clock for \overline{RESET} to have an effect and the clock may not yet be active. The internal core logic becomes functional at approximately 0.8 V while the external pin IO becomes active at about 1.5 V.

EDGEMODE

When $EDGEMODE = 1$, a sampled digital delay line is decoded to generate a pulse on the falling edge of the interrupt pin. To ensure interrupt recognition, input signal logic-high and logic-low states must be held longer than the synchronizer delay of one CPU clock cycle. Holding these inputs to no less than two cycles in both the logic-low and logic-high states is sufficient.

When $EDGEMODE = 0$, a logic-low interrupt pin continually sets the corresponding interrupt flag. The CPU or DMA can clear this flag within two cycles of it being set. This is the maximum interrupt width that can be applied if only one interrupt is to be recognized. The CPU can manually clear IF bits within an interrupt service routine (ISR), effectively lengthening the maximum ISR width.

After reset, $EDGEMODE$ is temporarily disabled, allowing logic-low INT pins to be detected for bootload operation.

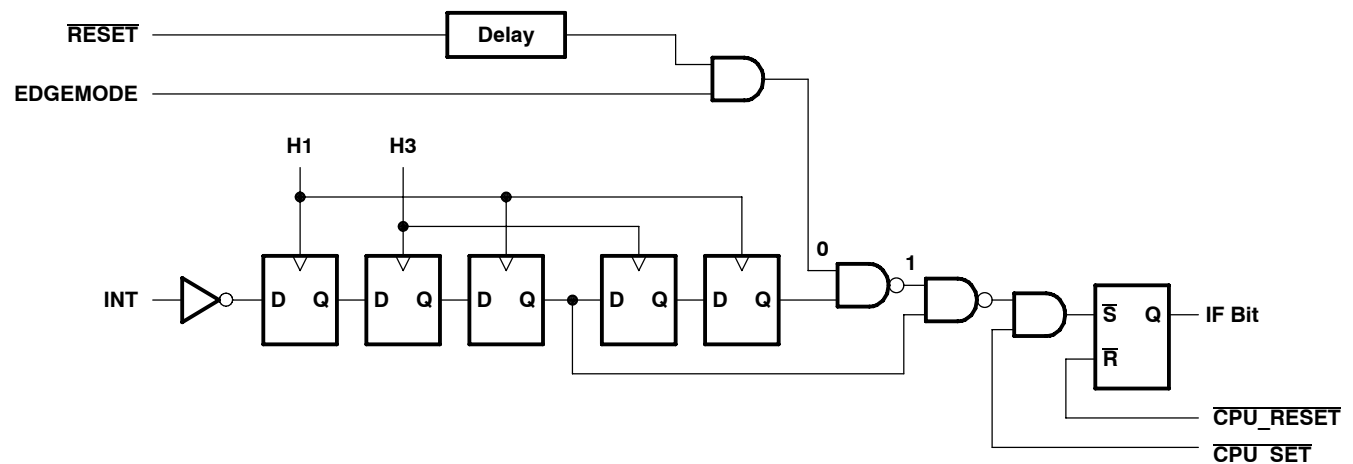


Figure 7. EDGEMODE and Interrupt Flag Circuit

reset operation

When \overline{RESET} is applied, the CPU attempts to safely exit any pending read or write operations that may be in progress. This can take as much as 10 CPU cycles, after which, the address, data, and control pins will be in an inactive or high-impedance state.

When both \overline{RESET} and \overline{SHZ} are applied, the device immediately enters the reset state with the pins held in high-impedance mode. \overline{SHZ} should then be disabled at least 10 CPU cycles before \overline{RESET} is set high. \overline{SHZ} can be used during power-up sequencing to prevent undefined address, data, and control pins, avoiding system conflicts.

TMS320VC33

DIGITAL SIGNAL PROCESSOR

SPRS087E - FEBRUARY 1999 - REVISED JANUARY 2004

PAGE0 - PAGE3 select lines

To facilitate simpler and higher speed connection to external devices, the TMS320VC33 includes four predecoded select pins that have the same timings as $\overline{\text{STRB}}$. These pins are decoded from A22, A23, and $\overline{\text{STRB}}$ and are active only during external accesses over the ranges shown in Table 3. All external bus accesses are controlled by a single bus control register.

Table 3. PAGE0 - PAGE3 Ranges

	START	END
PAGE0	0x000000	0x3FFFFFF
PAGE1	0x400000	0x7FFFFFF
PAGE2	0x800000	0xBFFFFFF
PAGE3	0xC00000	0xFFFFFFFF

using external logic with the $\overline{\text{READY}}$ pin

The key to designing external wait-state logic is the internal bus control register and associated internal logic that logically combines the external $\overline{\text{READY}}$ pin with the much faster on-chip bus control logic. This essentially allows slow external logic to interact with the bus while easily meeting the $\overline{\text{READY}}$ input timings. It is also relevant to mention that the combined ready signals are sampled on the rising edge of the internal H1 clock. Please refer to Figure 8 for the following examples.

example 1

A simple 0 or WTCNT wait-state decoder can be created by simply tying an address line back to the $\overline{\text{READY}}$ pin and selecting the AND option. When the tied back address is low, the bus runs with 0 wait states. When the tied back address is high, the bus will be controlled by the internal wait-state counter.

By enabling the bank compare logic, proper operation is further ensured by inserting a null cycle before a read on the next bank is performed (writes are not pre-extended). This extra time can also be used by external logic to affect the feedback path.

example 2

An N-WTCNT minimum wait-state decoder can also be created by tying back an address line to $\overline{\text{READY}}$ and logically ORing it with the internal bank compare and wait count signals. When the address pin is low, bus timing is determined by the internal WTCNT and BNKCMP settings. When the address line is high, the bus can run no faster than the WTCNT counter and is extended as long as $\overline{\text{READY}}$ is held high.



example 2 (continued)

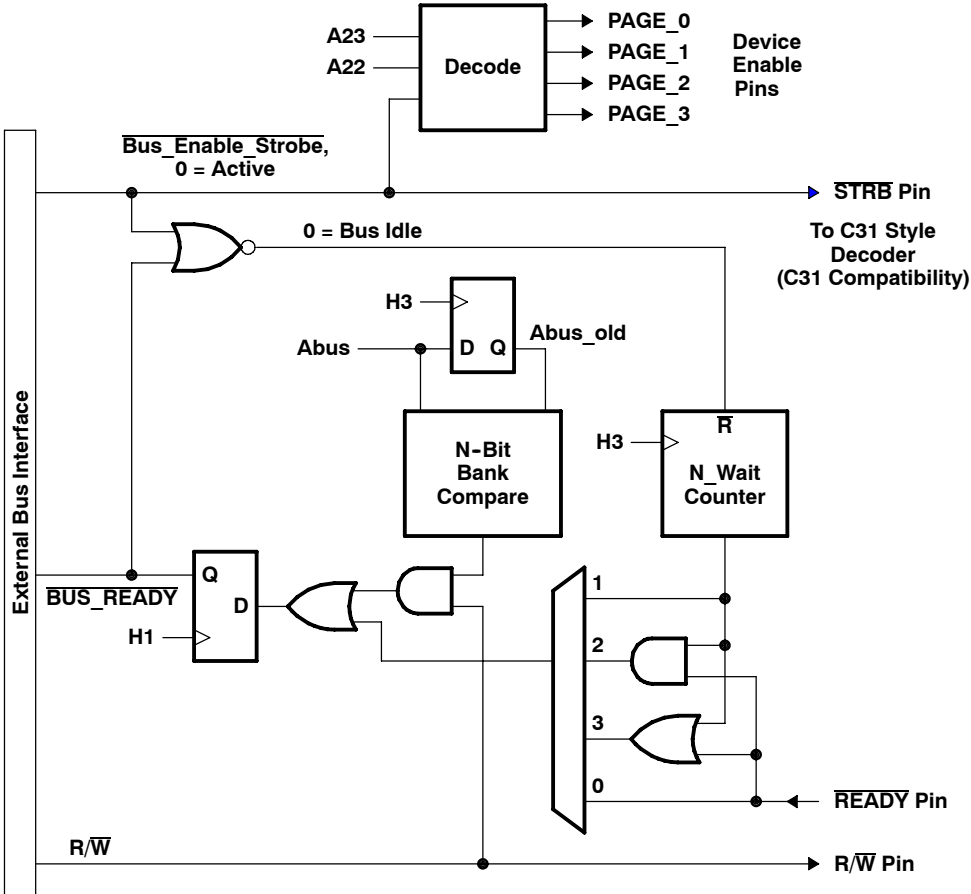


Figure 8. Internal Ready Logic, Simplified Diagram

example 2 (continued)

Table 4. MUX Select (Bus Control Register Bits 4 and 3)

BIT 4	BIT 3	RESULTS
0	0	Ignore internal wait counter and use only external $\overline{\text{READY}}$
0	1	Use only internal wait counter and ignore ready pin
1	0	Logically AND internal wait counter with ready pin
1	1	Logically OR internal wait counter with ready pin (reset default)

posted writes

External writes are effectively “posted” to the bus, which then acts like an output latch until the write completes. Therefore, if the application code is executing internally, it can perform a very slow external write with no penalty since the bus acts like it has a one-level-deep write FIFO.

data bus I/O buffer

The circuit shown in Figure 9 is incorporated into each data pin to lightly “hold” the last driven value on the data bus pins when the DSP or an external device is not actively driving the bus. Each bus keeper is built from a three-state driver with nominal 15 kΩ output resistance which is fed back to the input in a positive feedback configuration. The resistance isolated driver then pulls the output in one direction or the other keeping the last driven value. This circuit is enabled in all functional modes and is only disabled when $\overline{\text{SHZ}}$ is pulled low.

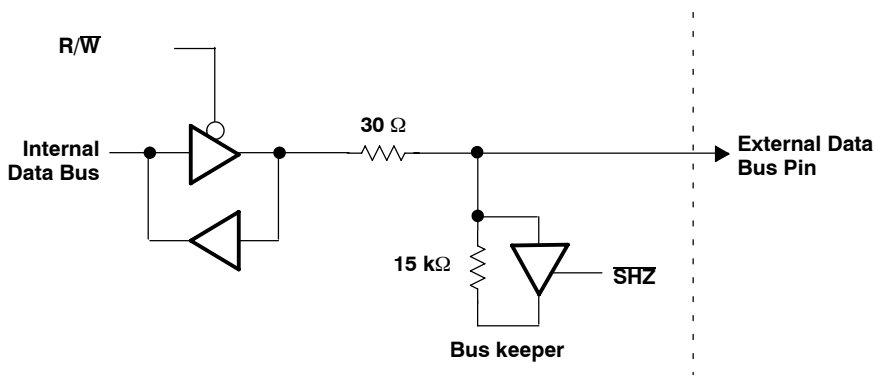


Figure 9. Bus Keeper Circuit

For an external device to change the state of these pins, it must be able to drive a small DC current until the driver threshold is crossed. At the crossover point, the driver changes state, agreeing with the external driver and assisting the change. The voltage threshold of the bus keeper is approximately at 50% of the DV_{DD} supply voltage. The typical output impedance of 30 Ω for all TMS320VC33 I/O pins is easily capable of meeting this requirement.

bootloader operation

When $\text{MCBL}/\overline{\text{MP}} = 1$, an internal ROM is decoded into the address range of 0x000000–0x000FFF. Therefore, when reset occurs, execution begins within the internal ROM program and vector space. No external activity will be evident until one of the boot options is enabled. These options are enabled by pulling an external interrupt pin low, which the boot-load software then detects, causing a particular routine to be executed (see Table 5).

bootloader operation (continued)

Table 5. $\overline{\text{INT0}}$ - $\overline{\text{INT3}}$ Sources

ACTIVE INTERRUPT	ADDRESS/SOURCE WHERE BOOT DATA IS READ FROM	DATA FORMAT
$\overline{\text{INT0}}$	0x001000	8, 16, or 32-bit width
$\overline{\text{INT1}}$	0x400000	8, 16, or 32-bit width
$\overline{\text{INT2}}$	0xFFFF00	8, 16, or 32-bit width
$\overline{\text{INT3}}$	Serial Port	32-bit, external clock, and frame synch

When $\text{MCBL}/\overline{\text{MP}} = 1$, the reset and interrupt vectors are hard-coded within the internal ROM. Since this is a read-only device, these vectors cannot be modified. To enable user-defined interrupt routines, the internal vectors contain fixed values that point to an internal section of SRAM beginning at 0x809FC1. Code execution begins at these locations so it is important to place branch instructions (to the interrupt routine) at these locations and not vectors.

The bootloader program requires a small stack space for calls and returns. Two SRAM locations at 0x809800 and 0x809801 are used for this stack. Data should not be boot loaded into these locations as this will corrupt the bootloader program run-time stack. After the boot-load operation is complete, a program can reclaim these locations. The simplest solution is to begin a program's stack or uninitialized data section at 0x809800.

For additional detail on bootloader operation including the bootloader source code, see the *TMS320C3x User's Guide* (literature number SPRU031).

A bit I/O line or external logic can be used to safely disable the MCBL mode after bootloading is complete. However, to ensure proper operation, the CPU should not be currently executing code or using external data as the change takes place. In the following example, the XF0 pin is 3-state on reset, which allows the pullup resistor to place the DSP in MCBL mode. The following code, placed at the beginning of an application then causes the XF0 pin to become an active-logic-low output, changing the DSP mode to MP. The cache-enable and RPTS instructions are used since they cause the LDI instruction to be executed multiple times even though it has been fetched only once (before the mode change). In other words, the RPTS instruction acts as a one-level-deep program cache for externally executed code. If the application code is to be executed from internal RAM, no special provisions are needed.

```
LDI    8000h,ST ; Enable the cache
RPTS  4         ; RPTS fetchs the following opcode 1 time
LDI    2h, IOF  ; Drive MCBL/MP=0 for several cycles allowing
                ; the pipeline to clear
```

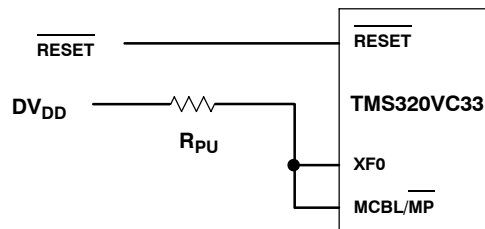


Figure 10. Changing Bootload Select Pin

TMS320VC33 DIGITAL SIGNAL PROCESSOR

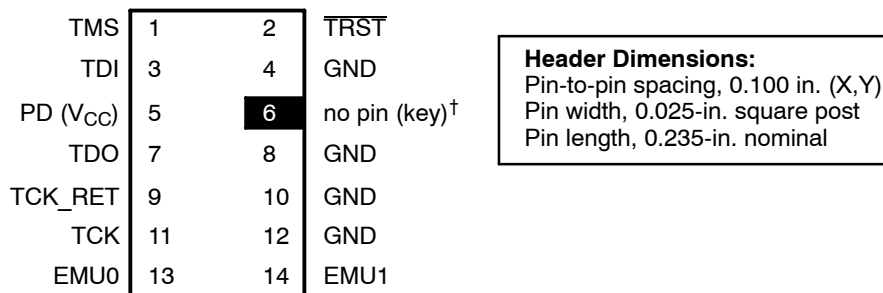
SPRS087E - FEBRUARY 1999 - REVISED JANUARY 2004

JTAG emulation

Though the TMS320VC33 contains a JTAG debug port which allows multiple JTAG enabled chips to be daisy-chained, boundary scan of the pins is not supported. If the pin scan path is selected, it will be routed through a null register with a length of one. For additional information concerning the emulation interface, see *JTAG/MPSD Emulation Technical Reference* (literature number SPDU079).

designing your target system's emulator connector (14-pin header)

JTAG target devices support emulation through a dedicated emulation port. This port is a superset of the IEEE 1149.1 standard and is accessed by the emulator. To communicate with the emulator, **your target system must have a 14-pin header** (two rows of seven pins) with the connections that are shown in Figure 11. Table 6 describes the emulation signals.



[†] While the corresponding female position on the cable connector is plugged to prevent improper connection, the cable lead for pin 6 is present in the cable and is grounded, as shown in the schematics and wiring diagrams in this document.

Figure 11. 14-Pin Header Signals and Header Dimensions

Table 6. 14-Pin Header Signal Descriptions

SIGNAL	DESCRIPTION	EMULATOR [†] STATE	TARGET [†] STATE
TMS [‡]	Test mode select	O	I
TDI	Test data input	O	I
TDO	Test data output	I	O
TCK	Test clock. TCK is a 10.368-MHz clock source from the emulation cable pod. This signal can be used to drive the system test clock	O	I
TRST [‡]	Test reset	O	I
EMU0 ^{§¶}	Emulation pin 0	I	I/O
EMU1 ^{§¶}	Emulation pin 1	I	I/O
PD(V _{CC})	Presence detect. Indicates that the emulation cable is connected and that the target is powered up. PD should be tied to V _{CC} in the target system.	I	O
TCK_RET	Test clock return. Test clock input to the emulator. May be a buffered or unbuffered version of TCK.	I	O
GND	Ground		

[†] I = input; O = output

[‡] Use 1–50K pulldown for TRST. Do not use pullup resistors on TRST: it has an internal pulldown device. In a low-noise environment, TRST can be left floating. In a high-noise environment, an additional pulldown resistor may be needed. (The size of this resistor should be based on electrical current considerations.)

[§] Use 1–50K pullups for TMS, EMU0 and EMU1.

[¶] EMU0 and EMU1 are I/O drivers configured as open-drain (open-collector) drivers. They are used as bidirectional signals for emulation global start and stop.



TMS320VC33 DIGITAL SIGNAL PROCESSOR

SPRS087E - FEBRUARY 1999 - REVISED JANUARY 2004

symbolization and speed ratings

The device revision can be determined by the lot trace code marked on the top of the package. The location for the lot trace codes for the PGE package is shown in Figure 13.

TMS320VC33 devices are rated in peak MFLOPS, shown as a suffix to the orderable part number (see Table 8). Figure 13 shows the device symbolization on the PGE package. A general "TMS320VC33" symbol defaults to the lowest speed rating for that device (120 MFLOPS). 150-MFLOPS devices are denoted with a "150" mark on the upper right-hand corner of the package. The VC33 CPU instruction rate is MFLOPS/2.

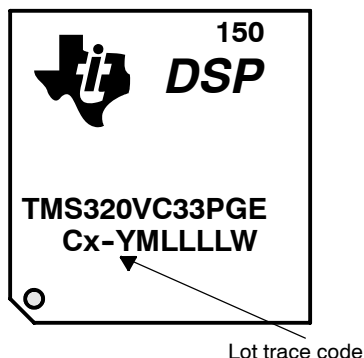


Figure 13. PGE Package (Top View)

Table 7. Example, Typical Lot Trace Code for TMS320VC33 DSP (PGE)

Lot Trace Code	Silicon Revision	Comments
Blank (No letter in prefix)	1.0	TMX320VC33
A (Letter in prefix is A)	1.1	TMS320VC33
B (Letter in prefix is B)	1.2	TMS320VC33
C (Letter in prefix is C)	1.3	TMS320VC33

Table 8. Device Orderable Part Numbers

DEVICE	SPEED (MFLOPS)	TEMPERATURE RATING
TMS320VC33PGE120	120	0°C to 90°C
TMS320VC33PGEA120	120	- 40°C to 100°C
TMS320VC33PGE150	150	0°C to 90°C

device and development support tool nomenclature

To designate the stages in the product development cycle, TI assigns prefixes to the part numbers of all TMS320™ DSP family devices and support tools. Each TMS320™ DSP member has one of three prefixes: TMX, TMP, or TMS. Texas Instruments recommends two of three possible prefix designators for its support tools: TMDX and TMDS. These prefixes represent evolutionary stages of product development from engineering prototypes (TMX/TMDX) through fully qualified production devices/tools (TMS/TMDS). This development flow is defined below.

Device development evolutionary flow:

- TMX** Experimental device that is not necessarily representative of the final device's electrical specifications
- TMP** Final silicon die that conforms to the device's electrical specifications but has not completed quality and reliability verification
- TMS** Fully-qualified production device

Support tool development evolutionary flow:

- TMDX** Development support product that has not yet completed Texas Instruments internal qualification testing.
- TMDS** Fully qualified development support product

TMX and TMP devices and TMDX development support tools are shipped against the following disclaimer:

“Developmental product is intended for internal evaluation purposes.”

TMS devices and TMDS development support tools have been characterized fully, and the quality and reliability of the device has been demonstrated fully. TI's standard warranty applies.

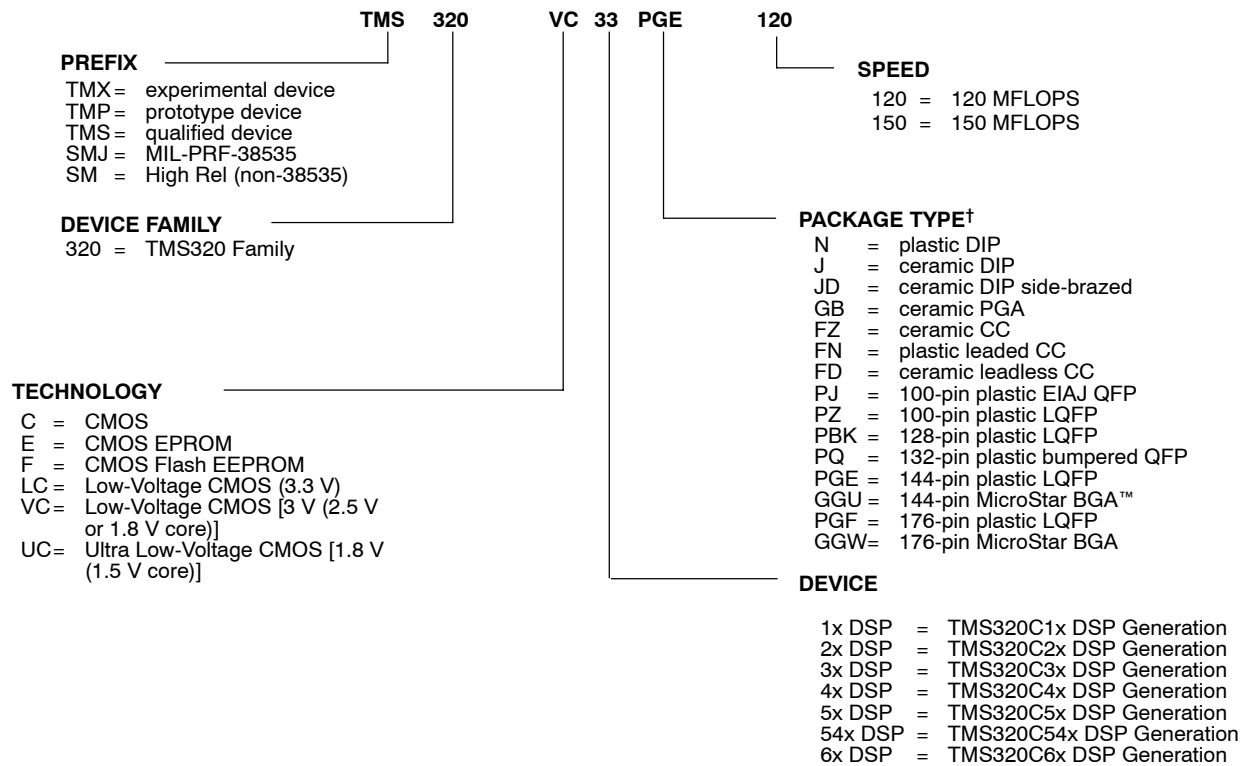
Predictions show that prototype devices (TMX or TMP) have a greater failure rate than the standard production devices. Texas Instruments recommends that these devices not be used in any production system because their expected end-use failure rate still is undefined. Only qualified production devices are to be used.

TI device nomenclature also includes a suffix with the device family name. This suffix indicates the package type (for example, PZ, PGE, PBK, or GGU) and temperature range (for example, L). Figure 14 provides a legend for reading the complete device name for any TMS320™ DSP family member.

TMS320VC33 DIGITAL SIGNAL PROCESSOR

SPRS087E - FEBRUARY 1999 - REVISED JANUARY 2004

device and development support tool nomenclature (continued)



† DIP = Dual-In-Line Package
 PGA = Pin Grid Array
 CC = Chip Carrier
 QFP = Quad Flat Package
 LQFP = Low-Profile Quad Flat Package
 BGA = Ball Grid Array

Figure 14. TMS320™ DSP Device Nomenclature

MicroStar BGA is a trademark of Texas Instruments.



absolute maximum ratings over specified temperature range (unless otherwise noted)[†]

Supply voltage range, DV_{DD}^{\ddagger}	-0.3 V to 4 V
Supply voltage range, CV_{DD}^{\ddagger}	-0.3 V to 2.4 V
Input voltage range, V_I^{\S}	-1 V to 4.6 V
Output voltage range, V_O	-0.3 V to 4.6 V
Continuous power dissipation (worst case) [¶]	500 mW (for TMS320VC33-150)
Operating case temperature range, T_C (PGE - commercial)	0°C to 90°C
T_C (PGEA - industrial)	- 40°C to 100°C
Storage temperature range, T_{stg}	- 55°C to 150°C

[†] Stresses beyond those listed under “absolute maximum ratings” may cause permanent damage to the device. These are stress ratings only, and functional operation of the device at these or any other conditions beyond those indicated under “recommended operating conditions” is not implied. Exposure to absolute-maximum-rated conditions for extended periods may affect device reliability.

[‡] All voltage values are with respect to V_{SS} .

[§] Absolute DC input level should not exceed the DV_{DD} or V_{SS} supply rails by more than 0.3 V. An instantaneous low current pulse of < 2 ns, < 10 mA, and < 1 V amplitude is permissible.

[¶] Actual operating power is much lower. This value was obtained under specially produced worst-case test conditions for the TMS320VC33, which are not sustained during normal device operation. These conditions consist of continuous parallel writes of a checkerboard pattern to the external data and address buses at the maximum possible rate with a capacitive load of 30 pF. See normal (I_{CC}) current specification in the electrical characteristics table and also read *TMS320C3x General-Purpose Applications User's Guide* (literature number SPRU194).

recommended operating conditions^{‡#||}

		MIN	NOM	MAX	UNIT
CV_{DD}	Supply voltage for the core CPU [☆]	1.71	1.8	1.89	V
DV_{DD}	Supply voltage for the I/O pins [□]	3	3.3	3.6	V
V_{SS}	Supply ground		0		V
V_{IH}	High-level input voltage	$0.7 * DV_{DD}$		$DV_{DD} + 0.3^{\S}$	V
V_{IL}	Low-level input voltage	$- 0.3^{\S}$		$0.3 * DV_{DD}$	V
I_{OH}	High-level output current			4	mA
I_{OL}	Low-level output current			4	mA
T_C	Operating case temperature (commercial)	0		90	°C
	Operating case temperature (industrial)	-40		100	
C_L	Capacitive load per output pin			30	pF

[‡] All voltage values are with respect to V_{SS} .

[§] Absolute DC input level should not exceed the DV_{DD} or V_{SS} supply rails by more than 0.3 V. An instantaneous low current pulse of < 2 ns, < 10 mA, and < 1 V amplitude is permissible.

[#] All inputs and I/O pins are configured as inputs.

^{||} All input and I/O pins use a Schmitt hysteresis inputs except \overline{SHZ} and D0-D31. Hysteresis is approximately 10% of DV_{DD} and is centered at $0.5 * DV_{DD}$.

[☆] CV_{DD} should not exceed DV_{DD} by more than 0.7 V. (Use a Schottky clamp diode between these supplies.)

[□] DV_{DD} should not exceed CV_{DD} by more than 2.5 V.



TMS320VC33

DIGITAL SIGNAL PROCESSOR

SPRS087E - FEBRUARY 1999 - REVISED JANUARY 2004

electrical characteristics over recommended ranges of supply voltage (unless otherwise noted)[†]

PARAMETER		TEST CONDITIONS [‡]		MIN	TYP [§]	MAX	UNIT
V _{OH}	High-level output voltage	DV _{DD} = MIN, I _{OH} = MAX		2.4			V
V _{OL}	Low-level output voltage	DV _{DD} = MIN, I _{OL} = MAX				0.4	V
I _Z	High-impedance current	DV _{DD} = MAX		- 5		+ 5	μA
I _I	Input current	V _I = V _{SS} to DV _{DD}		- 5		+ 5	μA
I _{IPU}	Input current (with internal pullup)	Inputs with internal pullups [¶]		- 600		10	μA
I _{IPD}	Input current (with internal pulldown)	Inputs with internal pulldowns [¶]		600		- 10	μA
I _{BKU}	Input current (with bus keeper) pullup [#]	Bus keeper opposes until conditions match		- 600		10	μA
I _{BKD}	Input current (with bus keeper) pulldown [#]			600		- 10	μA
I _{DDD}	Supply current, pins ☆	T _C = 25°C, DV _{DD} = MAX	f _x = 60 MHz	VC33-120	20	120	mA
			f _x = 75 MHz	VC33-150	25	150	
I _{DDC}	Supply current, core CPU ☆	T _C = 25°C, CV _{DD} = MAX	f _x = 60 MHz	VC33-120	50	80	mA
			f _x = 75 MHz	VC33-150	60	100	
I _{DD}	IDLE2, Supply current, I _{DDD} plus I _{DDC}	PLL enabled, oscillator enabled			2		mA
		PLL disabled, oscillator enabled			500		
		PLL disabled, oscillator disabled, FCLK = 0			100		
C _i	Input capacitance	All inputs except XIN				10	pF
		XIN				10	
C _o	Output capacitance					10	pF

[†] All voltage values are with respect to V_{SS}.

[‡] For test conditions shown as MIN, MAX, or NOM, use the appropriate value specified in the recommended operating conditions table.

[§] For VC33, all typical values are at DV_{DD} = 3.3, CV_{DD} = 1.8 V, T_C (case temperature) = 25°C.

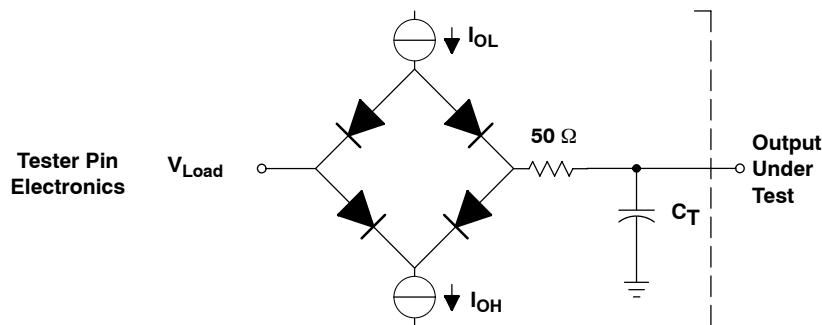
[¶] Pins with internal pullup devices: TDI, TCK, and TMS. Pin with internal pulldown device: TRST.

[#] Pins D0-D31 include internal bus keepers that maintain valid logic levels when the bus is not driven (see Figure 9).

^{||} Actual operating current is less than this maximum value. This value was obtained under specially produced worst-case test conditions, which are not sustained during normal device operation. These conditions consist of continuous parallel writes of a checkerboard pattern at the maximum rate possible. See *TMS320C3x General-Purpose Applications User's Guide* (literature number SPRU194).

☆ f_x is the PLL output clock frequency.

PARAMETER MEASUREMENT INFORMATION



Where: I_{OL} = 4 mA (all outputs) for DC levels test.
I_O and I_{OH} are adjusted during AC timing analysis to achieve an AC termination of 50 Ω
V_{LOAD} = DV_{DD}/2
C_T = 40-pF typical load-circuit capacitance

Figure 15. Test Load Circuit

PARAMETER MEASUREMENT INFORMATION

timing parameter symbology

Timing parameter symbols used herein were created in accordance with JEDEC Standard 100. In order to shorten the symbols, some of the pin names and other related terminology have been abbreviated as follows, unless otherwise noted:

Lowercase subscripts and their meanings

a	access time
c	cycle time (period)
d	delay time
dis	disable time
en	enable time
f	fall time
h	hold time
r	rise time
su	setup time
t	transition time
v	valid time
w	pulse duration (width)
x	unknown, changing, or don't care level

Letters and symbols and their meanings

H	High
L	Low
V	Valid
Z	High Impedance

Additional symbols and their meaning

A	Address lines (A23-A0)	H	H1 and H3
ASYNCH	Asynchronous reset signals (XF0, XF1, CLKX0, DX0, FSX0, CLKR0, DR0, FSR0, TCLK0, and TCLK1)	HOLD	$\overline{\text{HOLD}}$
CLKX	CLKX0	HOLDA	$\overline{\text{HOLDA}}$
CLKR	CLKR0	IACK	$\overline{\text{IACK}}$
CONTROL	Control signals	INT	$\overline{\text{INT3}}-\overline{\text{INT0}}$
D	Data lines (D31-D0)	PAGE	$\overline{\text{PAGE0}}-\overline{\text{PAGE3}}$
DR	DR	RDY	$\overline{\text{RDY}}$
DX	DX	RW	R/ $\overline{\text{W}}$
EXTCLK	EXTCLK	RW	R/ $\overline{\text{W}}$
FS	FSX/R	RESET	$\overline{\text{RESET}}$
FSX	FSX0	S	$\overline{\text{STRB}}$
FSR	FSR0	SCK	CLKX/R
GPI	General-purpose input	SHZ	$\overline{\text{SHZ}}$
GPIO	General-purpose input/output; peripheral pin (CLKX0, CLKR0, DX0, DR0, FSX0, FSR0, TCLK0, and TCLK1)	TCLK	TCLK0, TCLK1, or TCLKx
GPO	General-purpose output	XF	XF0, XF1, or XFx
H1	H1	XF0	XF0
H3	H3	XF1	XF1
		XIN	XIN

TMS320VC33 DIGITAL SIGNAL PROCESSOR

SPRS087E - FEBRUARY 1999 - REVISED JANUARY 2004

phase-locked loop (PLL) circuit timing

switching characteristics over recommended operating conditions for phase-locked loop using EXTCLK or on-chip crystal oscillator[†]

PARAMETER		MIN	MAX	UNIT
F _{pllin}	Frequency range, PLL input	5	15	MHz
F _{plfout}	Frequency range, PLL output	25	75	MHz
I _{pll}	PLL current, CV _{DD} supply		2	mA
P _{pll}	PLL power, CV _{DD} supply		5	mW
PLL _{dc}	PLL output duty cycle at H1	45	55	%
PLLJ	PLL output jitter, F _{plfout} = 25 MHz		400	ps
PLL _{LOCK}	PLL lock time in input cycles		1000	cycles

[†] Duty cycle is defined as $100 \cdot t_1 / (t_1 + t_2) \%$

To ensure clean internal clock references, the minimal low and high pulse durations must be maintained. At high frequencies, this may require a fast rise and fall time as well as a tightly controlled duty cycle. At lower frequencies, these requirements are less restrictive when in x1 and x0.5 modes. The PLL, however, must have an input duty cycle of between 40% and 60% for proper operation.



clock circuit timing

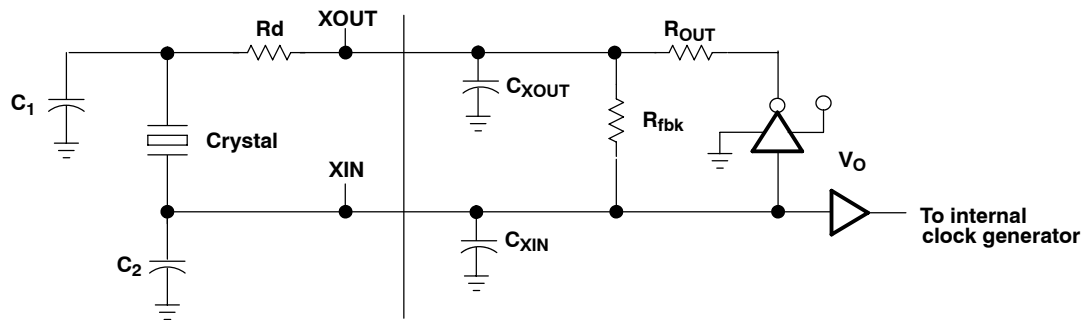
The following table defines the timing parameters for the clock circuit signals.

switching characteristics over recommended operating conditions for on-chip crystal oscillator[†] (see Figure 16)

PARAMETER		MIN	TYP	MAX	UNIT
V _O	Oscillator internal supply voltage		CV _{DD}		V
F _O	Fundamental mode frequency range	1		20	MHz
V _{bias}	DC bias point (input threshold)	40	50	60	%V _O
R _{fbk}	Feedback resistance	100	300	500	kΩ
R _{out}	Small signal AC output impedance	250	500	1000	Ω
V _{xoutac}	AC output voltage with test crystal [‡]		85		%V _O
V _{xinac}	AC input voltage with test crystal [‡]		85		%V _O
V _{xoutl}	V _{xin} = V _{xinh} , I _{xout} = 0, F _O =0 (logic input)	V _{SS} - 0.1		V _{SS} + 0.3	V
V _{xouth}	V _{xin} = V _{xinl} , I _{xout} = 0, F _O =0 (logic input)	CV _{DD} - 0.3		CV _{DD} + 0.1	V
V _{inl}	When used for logic level input, oscillator enabled	-0.3		0.2 * V _O	V
V _{inh}	When used for logic level input, oscillator enabled	0.8 * V _O		DV _{DD} + 0.3	V
V _{xinh}	When used for logic level input, oscillator disabled	0.7 * DV _{DD}		DV _{DD} + 0.3	V
C _{xout}	XOUT internal load capacitance	2	3	5	pF
C _{xin}	XIN internal load capacitance	2	3	5	pF
t _{d(XIN-H1)}	Delay time, XIN to H1 x1 and x0.5 modes	2	5.5	8	ns
I _{inl}	Input current, feedback enabled, V _{ij} = 0			50	μA
I _{inh}	Input current, feedback enabled, V _{ij} = V _{ih}			-50	μA

[†] This circuit is intended for series resonant fundamental mode operation.

[‡] Signal amplitude is dependent on the crystal and load used.



NOTE A: See Table 2 for value of Rd.

Figure 16. On-Chip Oscillator Circuit

TMS320VC33 DIGITAL SIGNAL PROCESSOR

SPRS087E - FEBRUARY 1999 - REVISED JANUARY 2004

clock circuit timing (continued)

The following tables define the timing requirements and switching characteristics for EXTCLK.

timing requirements for EXTCLK, all modes (see Figure 17 and Figure 18)

		MIN	MAX	UNIT	
$t_r(\text{EXTCLK})$	Rise time, EXTCLK	$F = F_{\text{max}}$, x0.5 and x1 modes	1	ns	
		$F < F_{\text{max}}$	4		
$t_f(\text{EXTCLK})$	Fall time, EXTCLK	$F = F_{\text{max}}$, x0.5 and x1 modes	1	ns	
		$F < F_{\text{max}}$	4		
$t_w(\text{EXTCLKL})$	Pulse duration, EXTCLK low	x5 mode	21	ns	
		x1 mode	5.5		
		x0.5 mode	4.0		
$t_w(\text{EXTCLKH})$	Pulse duration, EXTCLK high	x5 mode	21	ns	
		x1 mode	5.5		
		x0.5 mode	4.0		
$t_{dc}(\text{EXTCLK})$	Duty cycle, EXTCLK [$t_w(\text{EXTCLKH}) / t_c(\text{H})$]	x5 PLL mode	40	60	%
		x1 and x0.5 modes, $F = \text{max}$	45	55	
		x1 and x0.5 modes, $F = 0 \text{ Hz}$	0	100	
$t_c(\text{EXTCLK})$	Cycle time, EXTCLK, VC33-120	x5 mode	83.3	200	ns
		x1 mode	16.7		
		x0.5 mode	10		
	Cycle time, EXTCLK, VC33-150	x5 mode	66.7	200	
		x1 mode	13.3		
		x0.5 mode	10		
F_{ext}	Frequency range, $1/t_c(\text{EXTCLK})$, VC33-120	x5 mode	5	12	MHz
		x1 mode	0	60	
		x0.5 mode	0	100	
	Frequency range, $1/t_c(\text{EXTCLK})$, VC33-150	x5 mode	5	15	
		x1 mode	0	75	
		x0.5 mode	0	100	

switching characteristics for EXTCLK over recommended operating conditions, all modes (see Figure 17 and Figure 18)

PARAMETER		MIN	TYP	MAX	UNIT	
V_{mid}	Mid-level, used to measure duty cycle	0.5 * DV_{DD}			V	
$t_d(\text{EXTCLK-H})$	Delay time, EXTCLK to H1 and H3	x1 mode	2	4.5	7	ns
		x0.5 mode	2	4.5	7	
$t_r(\text{H})$	Rise time, H1 and H3				3	ns
$t_f(\text{H})$	Fall time, H1 and H3				3	ns
$t_d(\text{HL-HH})$	Delay time, from H1 low to H3 high or from H3 low to H1 high	-1.5			1.5	ns
$t_c(\text{H})$	Cycle time, H1 and H3	x5 PLL mode	1/(5 * f_{ext})		ns	
		x1 mode	1/ f_{ext}			
		x0.5 mode	2/ f_{ext}			



clock circuit timing (continued)

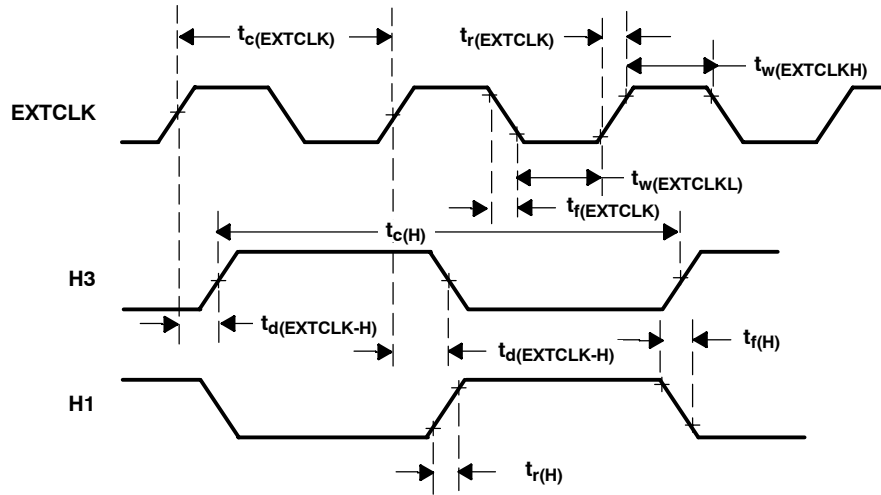
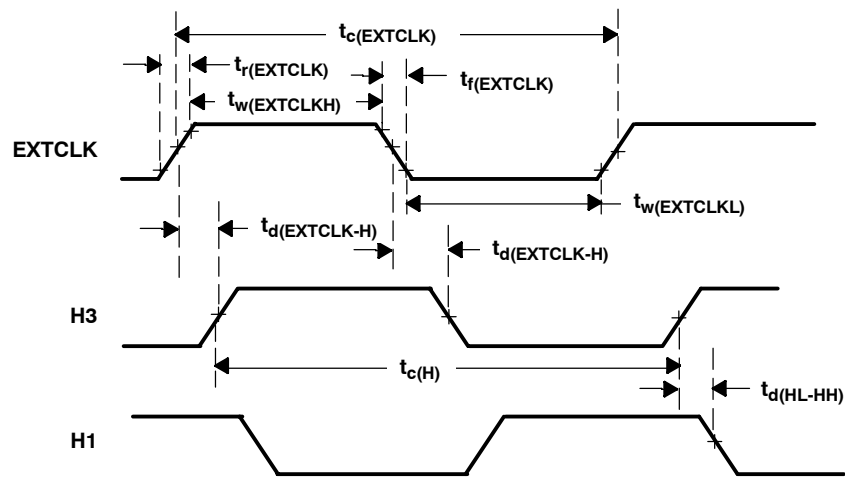


Figure 17. Divide-By-Two Mode



NOTE A: EXTCLK is held low.

Figure 18. Divide-By-One Mode

TMS320VC33 DIGITAL SIGNAL PROCESSOR

SPRS087E - FEBRUARY 1999 - REVISED JANUARY 2004

memory read/write timing

The following tables define memory read/write timing parameters for $\overline{\text{STRB}}$.

timing requirements for memory read/write[†] (see Figure 19, Figure 20, and Figure 21)

		VC33-120		VC33-150		UNIT
		MIN	MAX	MIN	MAX	
$t_{su(D-H1L)R}$	Setup time, Data before H1 low (read)	5		5		ns
$t_{h(H1L-D)R}$	Hold time, Data after H1 low (read)	-1		-1		ns
$t_{su(RDY-H1H)}$	Setup time, $\overline{\text{RDY}}$ before H1 high	5		4		ns
$t_{h(H1H-RDY)}$	Hold time, $\overline{\text{RDY}}$ after H1 high	-1		-1		ns
$t_{d(A-RDY)}$	Delay time, Address valid to $\overline{\text{RDY}}$		P-7 [‡]		P-6 [‡]	ns
$t_{v(A-D)}$	Valid time, Data valid after address PAGE _x , or $\overline{\text{STRB}}$ valid	0 wait state, $C_L = 30$ pF		6		ns
		1 wait state		$t_{c(H)}+9$		$t_{c(H)}+6$

[†] These timings assume a similar loading of 30 pF on all pins.

[‡] P = $t_{c(H)}/2$ (when duty cycle equals 50%).

switching characteristics over recommended operating conditions for memory read/write[†] (see Figure 19, Figure 20, and Figure 21)

PARAMETER		VC33-120		VC33-150		UNIT
		MIN	MAX	MIN	MAX	
$t_{d(H1L-SL)}$	Delay time, H1 low to $\overline{\text{STRB}}$ low	-1	4	-1	3	ns
$t_{d(H1L-SH)}$	Delay time, H1 low to $\overline{\text{STRB}}$ high	-1	4	-1	3	ns
$t_{d(H1H-RWL)W}$	Delay time, H1 high to R/\overline{W} low (write)	-1	4	-1	3	ns
$t_{d(H1L-A)}$	Delay time, H1 low to address valid	-1	4	-1	3	ns
$t_{d(H1H-RWH)W}$	Delay time, H1 high to R/\overline{W} high (write)	-1	4	-1	3	ns
$t_{d(H1H-A)W}$	Delay time, H1 high to address valid on back-to-back write cycles (write)	-1	4	-1	3	ns
$t_{v(H1L-D)W}$	Valid time, Data after H1 low (write)		6		5	ns
$t_{h(H1H-D)W}$	Hold time, Data after H1 high (write)	0	5	0	5	ns

[†] These timings assume a similar loading of 30 pF on all pins.

Output load characteristics for high-speed and low-speed (low-noise) output buffers are shown in Figure 19. High-speed buffers are used on A0 - A23, PAGE0 - PAGE3, H1, H3, $\overline{\text{STRB}}$, and R/\overline{W} . All other outputs use the low-speed, (low-noise) output buffer.

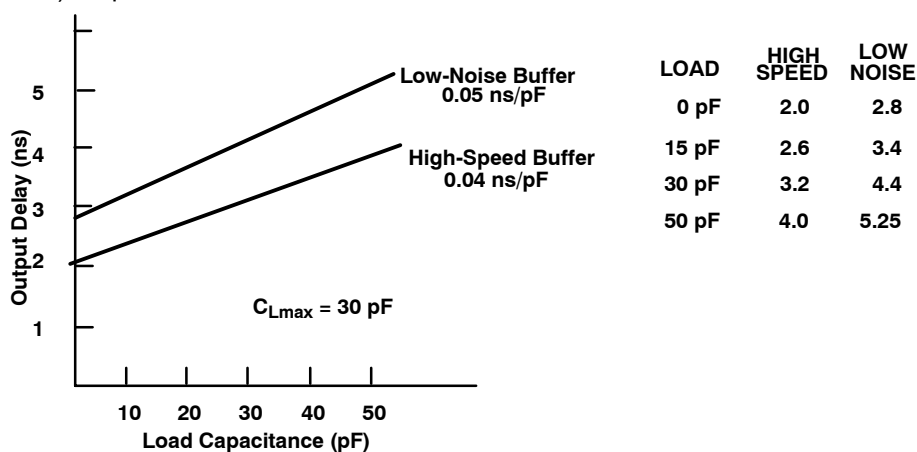
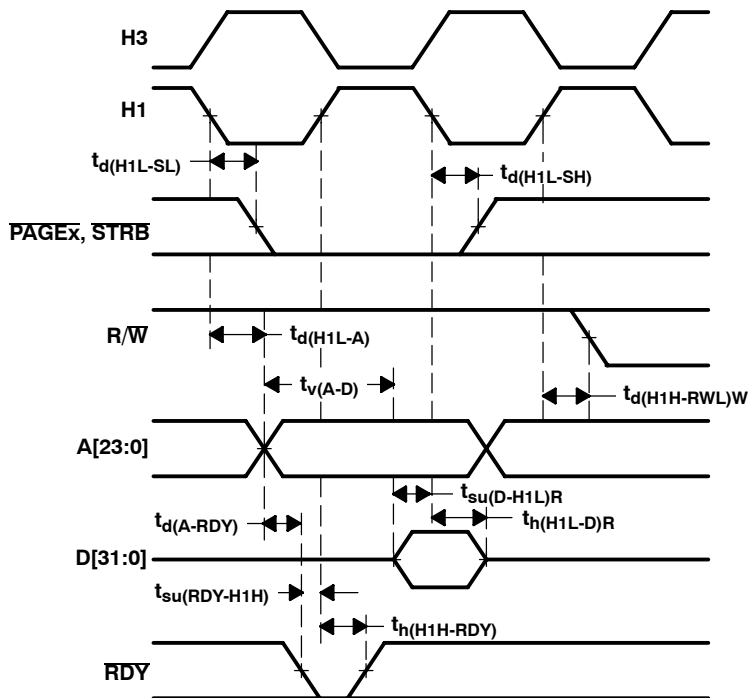


Figure 19. Output Load Characteristics, Buffer Only



memory read/write timing (continued)



NOTE A: STRB remains low during back-to-back read operations.

Figure 20. Timing for Memory (STRB = 0 and PAGEX = 0) Read

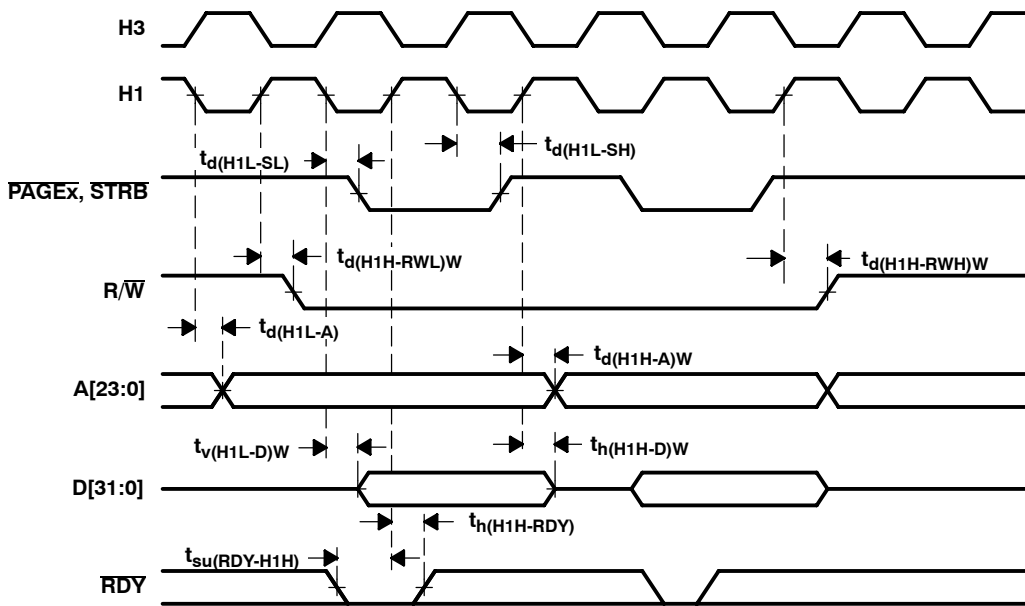


Figure 21. Timing for Memory (STRB = 0 and PAGEX = 0) Write

TMS320VC33 DIGITAL SIGNAL PROCESSOR

SPRS087E - FEBRUARY 1999 - REVISED JANUARY 2004

XF0 and XF1 timing when executing LDFI or LDII

The following tables define the timing parameters for XF0 and XF1 during execution of LDFI or LDII.

timing requirements for XF0 and XF1 when executing LDFI or LDII (see Figure 22)

		VC33-120		VC33-150		UNIT
		MIN	MAX	MIN	MAX	
$t_{su}(XF1-H1L)$	Setup time, XF1 before H1 low	5		4		ns
$t_h(H1L-XF1)$	Hold time, XF1 after H1 low	0		0		ns

switching characteristics over recommended operating conditions for XF0 and XF1 when executing LDFI or LDII (see Figure 22)

PARAMETER	VC33-120		VC33-150		UNIT
	MIN	MAX	MIN	MAX	
$t_d(H3H-XF0L)$	4		3		ns

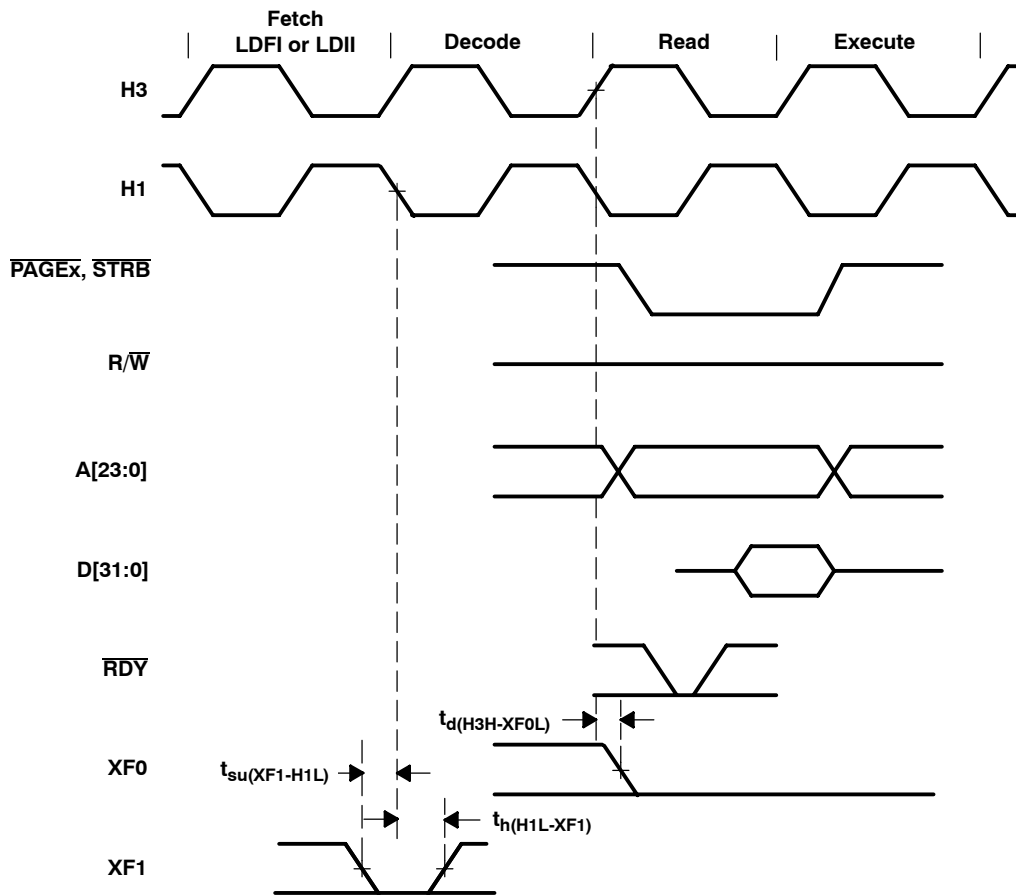


Figure 22. Timing for XF0 and XF1 When Executing LDFI or LDII

XF0 timing when executing STFI and STII[†]

The following table defines the timing parameters for the XF0 pin during execution of STFI or STII.

switching characteristics over recommended operating conditions for XF0 when executing STFI or STII (see Figure 23)

PARAMETER	VC33-120		VC33-150		UNIT
	MIN	MAX	MIN	MAX	
$t_{d(H3H-XF0H)}$ Delay time, H3 high to XF0 high [†]		4		3	ns

[†] XF0 is always set high at the beginning of the execute phase of the interlock-store instruction. When no pipeline conflicts occur, the address of the store is also driven at the beginning of the execute phase of the interlock-store instruction. However, if a pipeline conflict prevents the store from executing, the address of the store will not be driven until the store can execute.

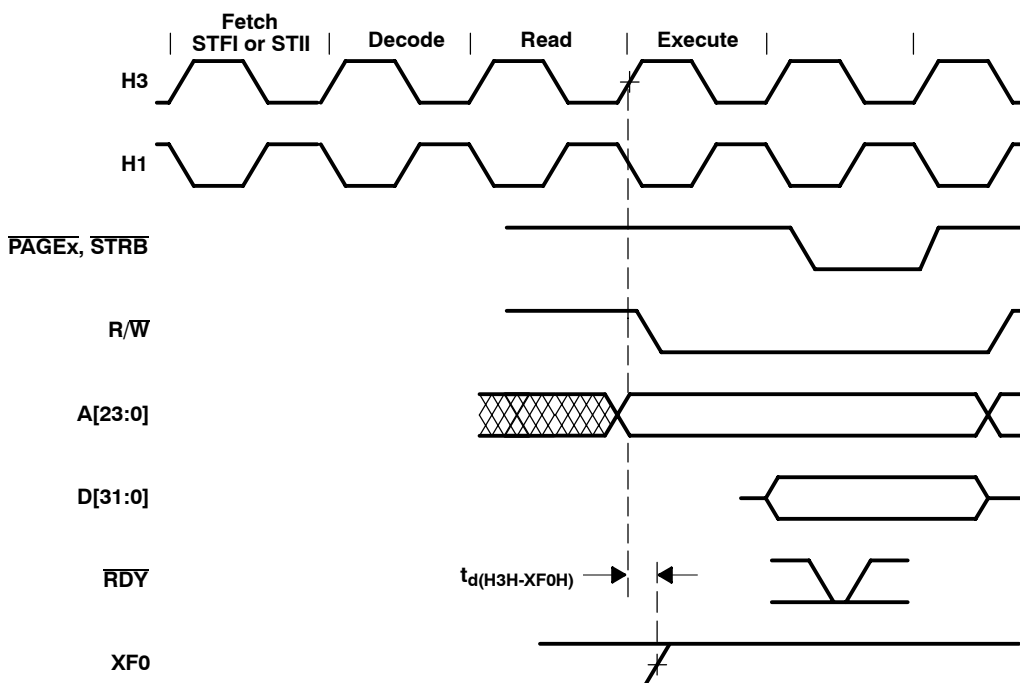


Figure 23. Timing for XF0 When Executing an STFI or STII

TMS320VC33 DIGITAL SIGNAL PROCESSOR

SPRS087E - FEBRUARY 1999 - REVISED JANUARY 2004

XF0 and XF1 timing when executing SIGI

The following tables define the timing parameters for the XF0 and XF1 pins during execution of SIGI.

timing requirements for XF0 and XF1 when executing SIGI (see Figure 24)

		VC33-120		VC33-150		UNIT
		MIN	MAX	MIN	MAX	
$t_{su}(XF1-H1L)$	Setup time, XF1 before H1 low	5		4		ns
$t_h(H1L-XF1)$	Hold time, XF1 after H1 low	0		0		ns

switching characteristics over recommended operating conditions for XF0 and XF1 when executing SIGI (see Figure 24)

PARAMETER	VC33-120		VC33-150		UNIT
	MIN	MAX	MIN	MAX	
$t_d(H3H-XF0L)$		4		3	ns
$t_d(H3H-XF0H)$		4		3	ns

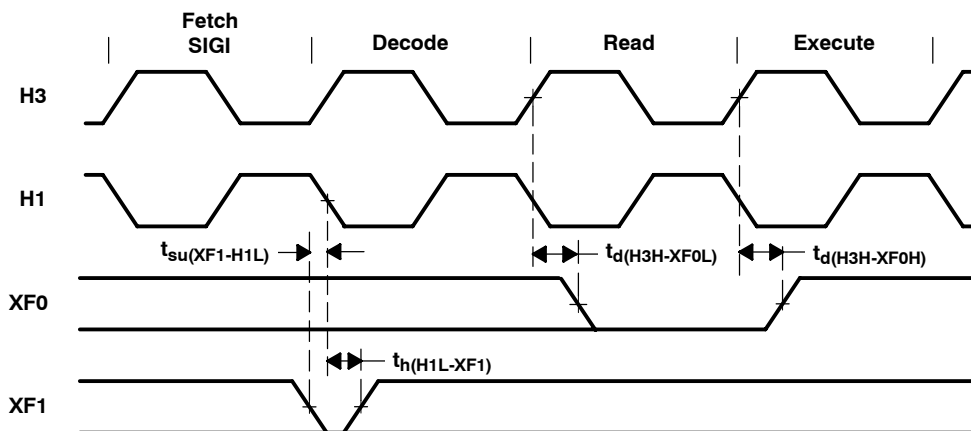


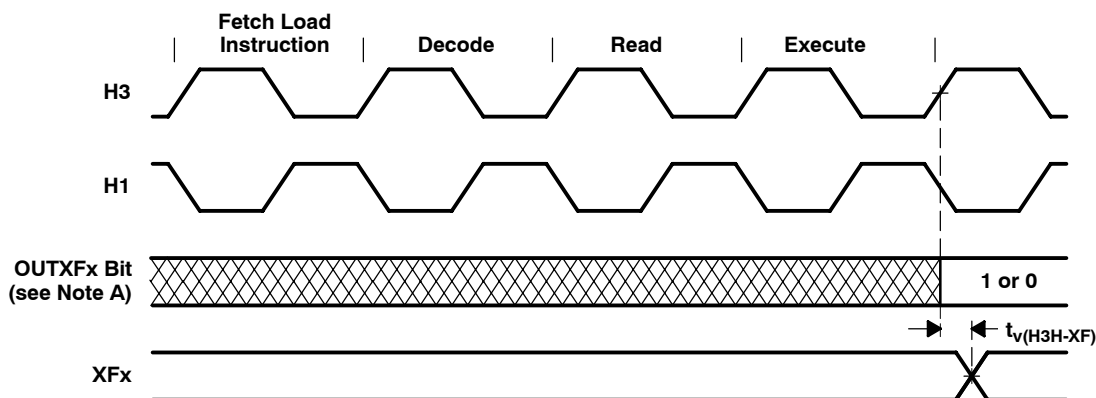
Figure 24. Timing for XF0 and XF1 When Executing SIGI

loading when XF is configured as an output

The following table defines the timing parameter for loading the XF register when the XF_x pin is configured as an output.

switching characteristics over recommended operating conditions for loading the XF register when configured as an output pin (see Figure 25)

PARAMETER	VC33-120		VC33-150		UNIT
	MIN	MAX	MIN	MAX	
$t_{v(H3H-XF)}$ Valid time, XF _x after H3 high		4		3	ns



NOTE A: OUTXF_x represents either bit 2 or 6 of the IOF register.

Figure 25. Timing for Loading XF Register When Configured as an Output Pin

TMS320VC33 DIGITAL SIGNAL PROCESSOR

SPRS087E - FEBRUARY 1999 - REVISED JANUARY 2004

changing XFx from an output to an input

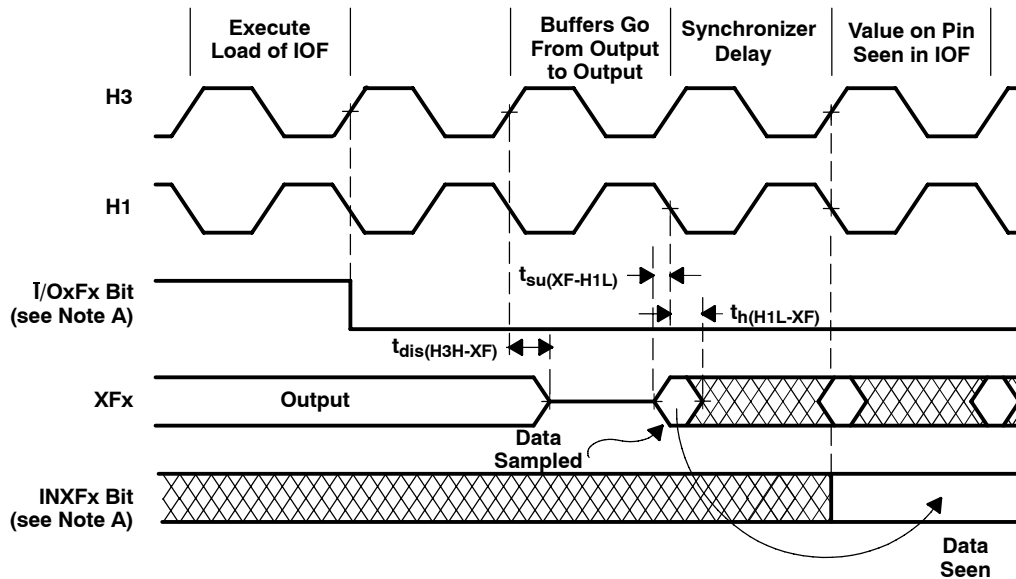
The following tables define the timing parameters for changing the XFx pin from an output pin to an input pin.

timing requirements for changing XFx from output to input mode (see Figure 26)

		VC33-120		VC33-150		UNIT
		MIN	MAX	MIN	MAX	
$t_{su}(XF-H1L)$	Setup time, XFx before H1 low	5		4		ns
$t_h(H1L-XF)$	Hold time, XFx after H1 low	0		0		ns

switching characteristics over recommended operating conditions for changing XFx from output to input mode (see Figure 26)

PARAMETER	VC33-120		VC33-150		UNIT
	MIN	MAX	MIN	MAX	
$t_{dis}(H3H-XF)$		6		5	ns



NOTE A: I/OxFx represents either bit 1 or bit 5 of the IOF register, and INXFx represents either bit 3 or bit 7 of the IOF register.

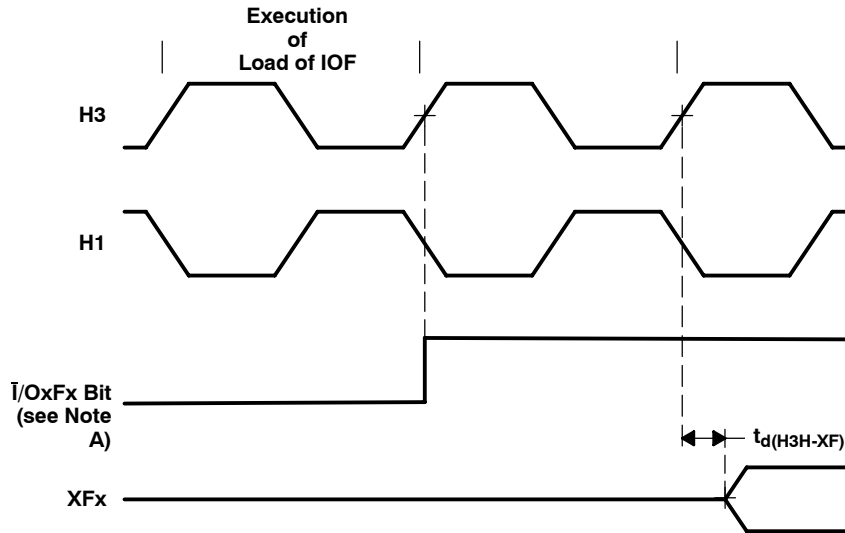
Figure 26. Timing for Changing XFx From Output to Input Mode

changing XFx from an input to an output

The following table defines the timing parameter for changing the XFx pin from an input pin to an output pin.

switching characteristics over recommended operating conditions for changing XFx from input to output mode (see Figure 27)

PARAMETER	VC33-120		VC33-150		UNIT
	MIN	MAX	MIN	MAX	
$t_{d(H3H-XF)}$ Delay time, H3 high to XFx switching from input to output	4		3		ns



NOTE A: I/OxFx represents either bit 1 or bit 5 of the IOF register.

Figure 27. Timing for Changing XFx From Input to Output Mode

TMS320VC33 DIGITAL SIGNAL PROCESSOR

SPRS087E - FEBRUARY 1999 - REVISED JANUARY 2004

reset timing

$\overline{\text{RESET}}$ is an asynchronous input that can be asserted at any time during a clock cycle. If the specified timings are met, the exact sequence shown in Figure 28 occurs; otherwise, an additional delay of one clock cycle is possible.

The asynchronous reset signals include XF0/1, CLKX0, DX0, FSX0, CLKR0, DR0, FSR0, and TCLK0/1.

Resetting the device initializes the bus control register to seven software wait states and therefore results in slow external accesses until these registers are initialized.

$\overline{\text{HOLD}}$ is a synchronous input that can be asserted during reset. It can take nine CPU cycles before $\overline{\text{HOLDA}}$ is granted.

The following tables define the timing parameters for the $\overline{\text{RESET}}$ signal.

timing requirements for $\overline{\text{RESET}}$ (see Figure 28)

		VC33-120		VC33-150		UNIT
		MIN	MAX	MIN	MAX	
$t_{su}(\overline{\text{RESET}}\text{-EXTCLKL})$	Setup time, $\overline{\text{RESET}}$ before EXTCLK low	6	P-7 [†]	5	P-7	ns
$t_{su}(\overline{\text{RESET}}\text{-H1L})$	Setup time, $\overline{\text{RESET}}$ high before H1 low and after ten H1 clock cycles	6		5		ns

[†] P = $t_c(\text{EXTCLK})$

switching characteristics over recommended operating conditions for $\overline{\text{RESET}}$ (see Figure 28)

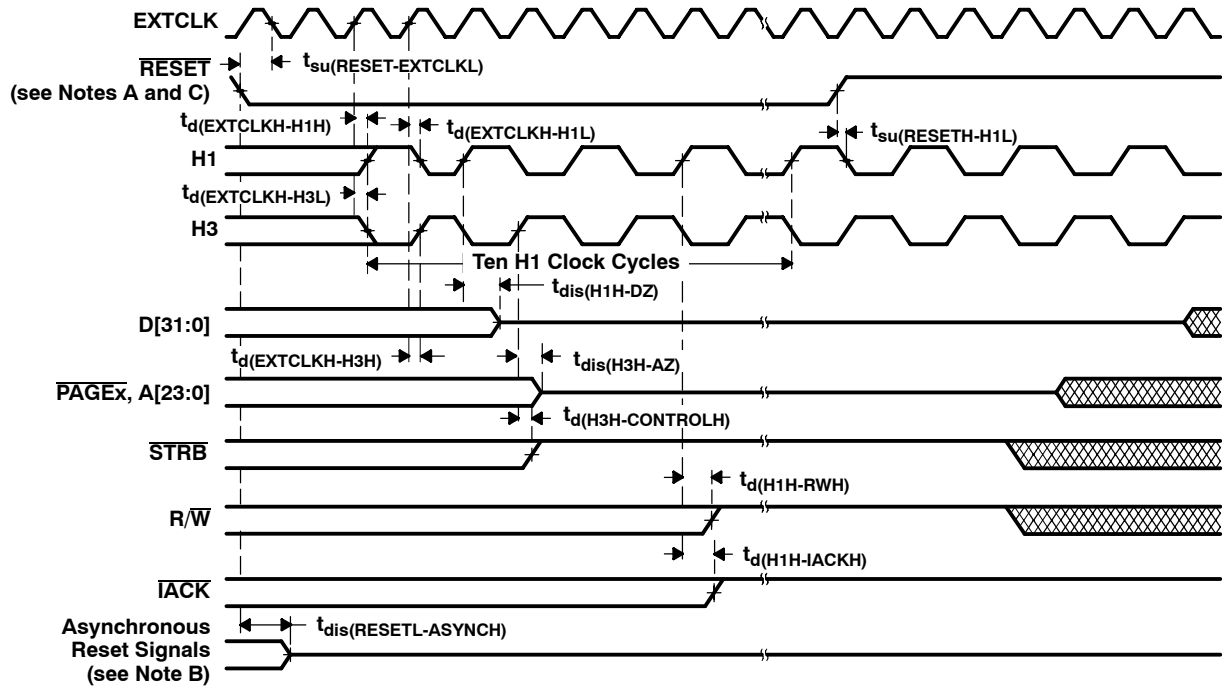
PARAMETER		VC33-120		VC33-150		UNIT
		MIN	MAX	MIN	MAX	
$t_d(\text{EXTCLKH-H1H})$	Delay time, EXTCLK high to H1 high	2	7	2	7	ns
$t_d(\text{EXTCLKH-H1L})$	Delay time, EXTCLK high to H1 low	2	7	2	7	ns
$t_d(\text{EXTCLKH-H3L})$	Delay time, EXTCLK high to H3 low	2	7	2	7	ns
$t_d(\text{EXTCLKH-H3H})$	Delay time, EXTCLK high to H3 high	2	7	2	7	ns
$t_{dis}(\text{H1H-DZ})$	Disable time, data (high impedance) from H1 high [‡]		7		6	ns
$t_{dis}(\text{H3H-AZ})$	Disable time, address (high impedance) from H3 high		7		6	ns
$t_d(\text{H3H-CONTROLH})$	Delay time, H3 high to control signals high		4		3	ns
$t_d(\text{H1H-RWH})$	Delay time, H1 high to R/ $\overline{\text{W}}$ high		4		3	ns
$t_d(\text{H1H-JACKH})$	Delay time, H1 high to $\overline{\text{TACK}}$ high		4		3	ns
$t_{dis}(\overline{\text{RESETL}}\text{-ASYNCH})$	Disable time, asynchronous reset signals disabled (high impedance) from $\overline{\text{RESET}}$ low [§]		7		6	ns

[‡] High impedance for Dbus is limited to nominal bus keeper $Z_{OUT} = 15 \text{ k}\Omega$.

[§] Asynchronous reset signals include XF0/1, CLKX0, DX0, FSX0, CLKR0, DR0, FSR0, and TCLK0/1.



reset timing (continued)



- NOTES: A. Clock circuit is configured in 'C31-compatible divide-by-2 mode. If configured for x1 mode, EXTCLK directly drives H3.
 B. Asynchronous reset signals include XF0/1, CLKX0, DX0, FSX0, CLKR0, DR0, FSR0, and TCLK0/1.
 C. $\overline{\text{RESET}}$ is a synchronous input that can be asserted at any point during a clock cycle. If the specified timings are met, the exact sequence shown occurs; otherwise, an additional delay of one clock cycle is possible.
 D. In microprocessor mode, the reset vector is fetched twice, with seven software wait states each time. In microcomputer mode, the reset vector is fetched twice, with no software wait states.
 E. The address and $\overline{\text{PAGE3-PAGE0}}$ outputs are placed in a high-impedance state during reset requiring a nominal 10-22 k Ω pullup. If not, undesirable spurious reads can occur when these outputs are not driven.

Figure 28. $\overline{\text{RESET}}$ Timing

TMS320VC33 DIGITAL SIGNAL PROCESSOR

SPRS087E - FEBRUARY 1999 - REVISED JANUARY 2004

interrupt response timing

The following table defines the timing parameters for the $\overline{\text{INTx}}$ signals.

timing requirements for $\overline{\text{INT3}}\text{--}\overline{\text{INT0}}$ response (see Figure 29)

	VC33-120			VC33-150			UNIT
	MIN	NOM	MAX	MIN	NOM	MAX	
$t_{su}(\overline{\text{INT-H1L}})$ Setup time, $\overline{\text{INT3}}\text{--}\overline{\text{INT0}}$ before H1 low	5			4			ns
$t_h(\overline{\text{H1L-INT}})$ Hold time, $\overline{\text{INT3}}\text{--}\overline{\text{INT0}}$ after H1 low			0			0	ns
$t_w(\overline{\text{INT}})$ Pulse duration, interrupt to ensure only one interrupt	P+5 [†]	1.5P	2P-5 [†]	P+5 [†]	1.5P	2P-5 [†]	ns

[†] P = $t_{c(H)}$

The interrupt ($\overline{\text{INTx}}$) pins are synchronized inputs that can be asserted at any time during a clock cycle. The TMS320C3x interrupts are selectable as level- or edge-sensitive. Interrupts are detected on the falling edge of H1. Therefore, interrupts must be set up and held to the falling edge of the internal H1 for proper detection. The CPU and DMA respond to detected interrupts on instruction-fetch boundaries only.

For the processor to recognize only one interrupt when level mode is selected, an interrupt pulse must be set up and held such that a logic-low condition occurs for:

- A minimum of one H1 falling edge
- No more than two H1 falling edges
- Interrupt sources whose edges cannot be ensured to meet the H1 falling edge setup and hold times must be further restricted in pulse width as defined by $t_w(\overline{\text{INT}})$ (parameter 51) in the table above.

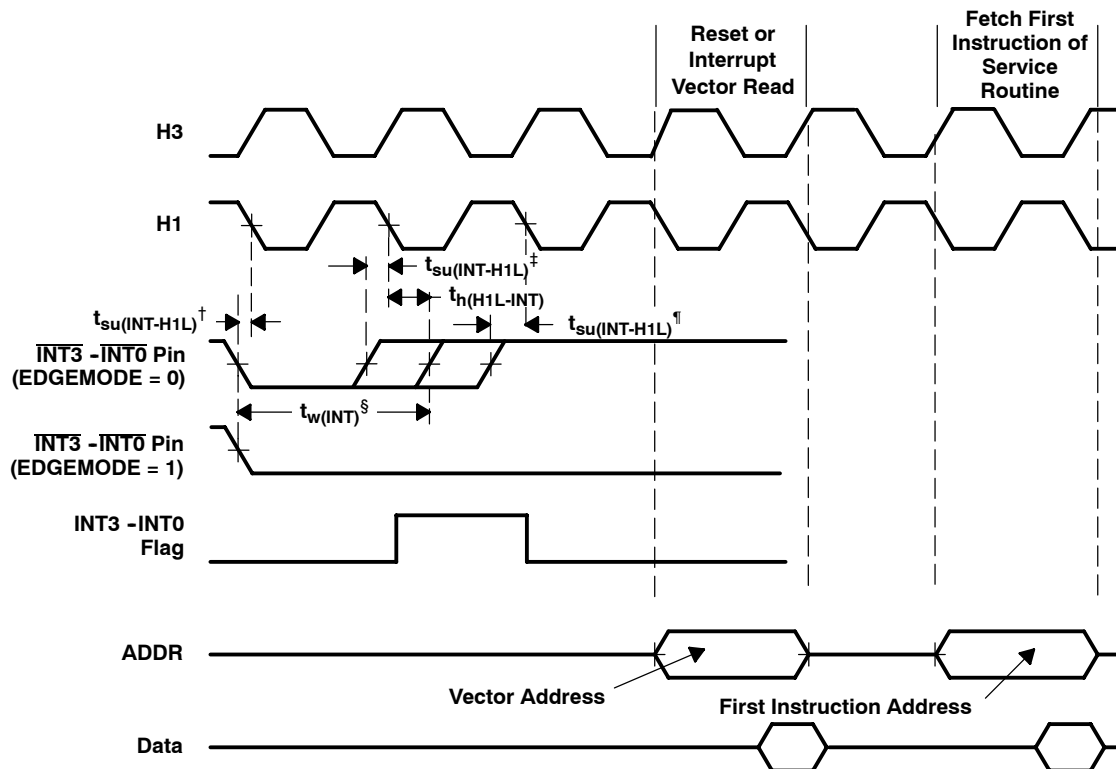
When $\text{EDGEMODE}=1$, the falling edge of the $\overline{\text{INT0}}\text{--}\overline{\text{INT3}}$ pins are detected using synchronous logic (see Figure 7). The pulse low and high time should be two CPU clocks or greater.

The TMS320C3x can set the interrupt flag from the same source as quickly as two H1 clock cycles after it has been cleared.

If the specified timings are met, the exact sequence shown in Figure 29 occurs; otherwise, an additional delay of one clock cycle is possible.



interrupt response timing (continued)



† Falling edge of H1 just detects \overline{INTx} falling edge.
 ‡ Falling edge of H1 detects second \overline{INTx} low, however flag clear takes precedence.
 § Nominal width
 ¶ Falling edge of H1 misses previous \overline{INTx} low as \overline{INTx} rises.

Figure 29. INT3-INT0 Response Timing

TMS320VC33 DIGITAL SIGNAL PROCESSOR

SPRS087E - FEBRUARY 1999 - REVISED JANUARY 2004

interrupt-acknowledge timing

The $\overline{\text{IACK}}$ output goes active on the first half-cycle (H1 rising) of the decode phase of the IACK instruction and goes inactive at the first half-cycle (H1 rising) of the read phase of the IACK instruction.

The following table defines the timing parameters for the $\overline{\text{IACK}}$ signal.

NOTE: The IACK instruction can be executed at anytime to signal an event using the $\overline{\text{IACK}}$ pin. The IACK instruction is most often used within an interrupt routine to signal which interrupt has occurred. The IACK instruction must be executed to generate the $\overline{\text{IACK}}$ pulse.

switching characteristics over recommended operating conditions for $\overline{\text{IACK}}$ (see Figure 30)

PARAMETER		VC33-120		VC33-150		UNIT
		MIN	MAX	MIN	MAX	
$t_{d(H1H-IACKL)}$	Delay time, H1 high to $\overline{\text{IACK}}$ low	-1	4	-1	3	ns
$t_{d(H1H-IACKH)}$	Delay time, H1 high to $\overline{\text{IACK}}$ high	-1	4	-1	3	ns

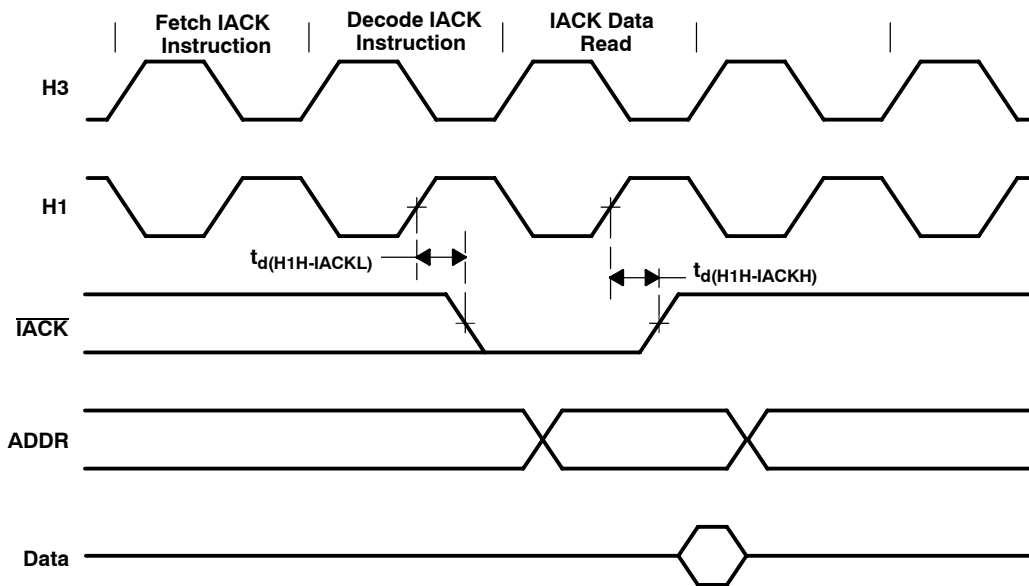


Figure 30. Interrupt Acknowledge ($\overline{\text{IACK}}$) Timing

serial-port timing parameters

The following tables define the timing parameters for the serial port.

timing requirements (see Figure 31 and Figure 32)

		MIN	MAX	UNIT
$t_{c(SCK)}$	Cycle time, CLKX/R	CLKX/R ext	$t_{c(H)} * 2.6$	ns
		CLKX/R int	$t_{c(H)} * 2$ $t_{c(H)} * 2^{16}$	
$t_{w(SCK)}$	Pulse duration, CLKX/R high/low	CLKX/R ext	$t_{c(H)} + 5$	ns
		CLKX/R int	$[t_{c(SCK)}/2] - 4$ $[t_{c(SCK)}/2] + 4$	
$t_r(SCK)$	Rise time, CLKX/R		3	ns
$t_f(SCK)$	Fall time, CLKX/R		3	ns
$t_{su(DR-CLKRL)}$	Setup time, DR before CLKR low	CLKR ext	4	ns
		CLKR int	5	
$t_h(CLKRL-DR)$	Hold time, DR after CLKR low	CLKR ext	3	ns
		CLKR int	0	
$t_{su(FSR-CLKRL)}$	Setup time, FSR before CLKR low	CLKR ext	4	ns
		CLKR int	5	
$t_h(SCKL-FS)$	Hold time, FSX/R input after CLKX/R low	CLKX/R ext	3	ns
		CLKX/R int	0	
$t_{su(FSX-CLKX)}$	Setup time, external FSX before CLKX	CLKX ext	$-[t_{c(H)} - 6]$ $[t_{c(SCK)}/2] - 6$	ns
		CLKX int	$-[t_{c(H)} - 10]$ $t_{c(SCK)}/2$	

switching characteristics over recommended operating conditions (see Figure 31 and Figure 32)

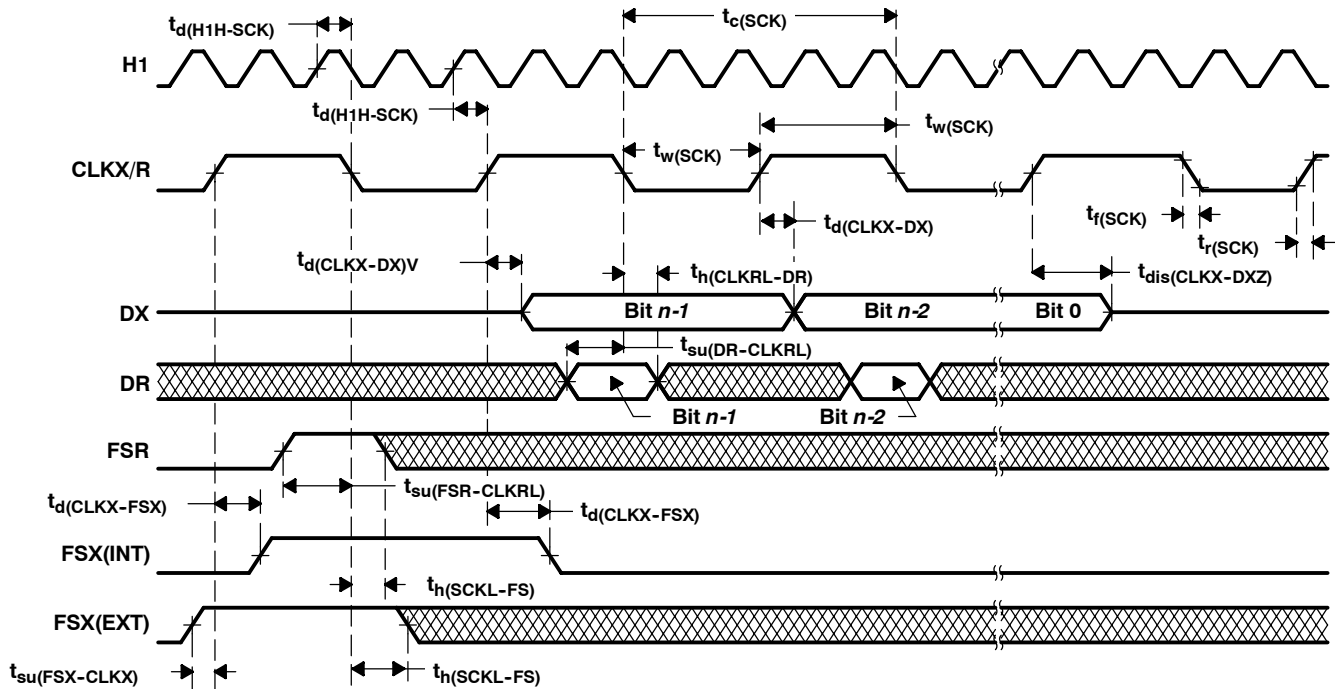
PARAMETER		MIN	MAX	UNIT
$t_d(H1H-SCK)$	Delay time, H1 high to internal CLKX/R		4	ns
$t_d(CLKX-DX)$	Delay time, CLKX to DX valid	CLKX ext	6	ns
		CLKX int	5	
$t_d(CLKX-FSX)$	Delay time, CLKX to internal FSX high/low	CLKX ext	5	ns
		CLKX int	4	
$t_d(CLKX-DX)V$	Delay time, CLKX to first DX bit, FSX precedes CLKX high	CLKX ext	5	ns
		CLKX int	4	
$t_d(FSX-DX)V$	Delay time, FSX to first DX bit, CLKX precedes FSX		6	ns
$t_{dis}(CLKX-DXZ)$	Disable time, DX high impedance following last data bit from CLKX high		6	ns

TMS320VC33 DIGITAL SIGNAL PROCESSOR

SPRS087E - FEBRUARY 1999 - REVISED JANUARY 2004

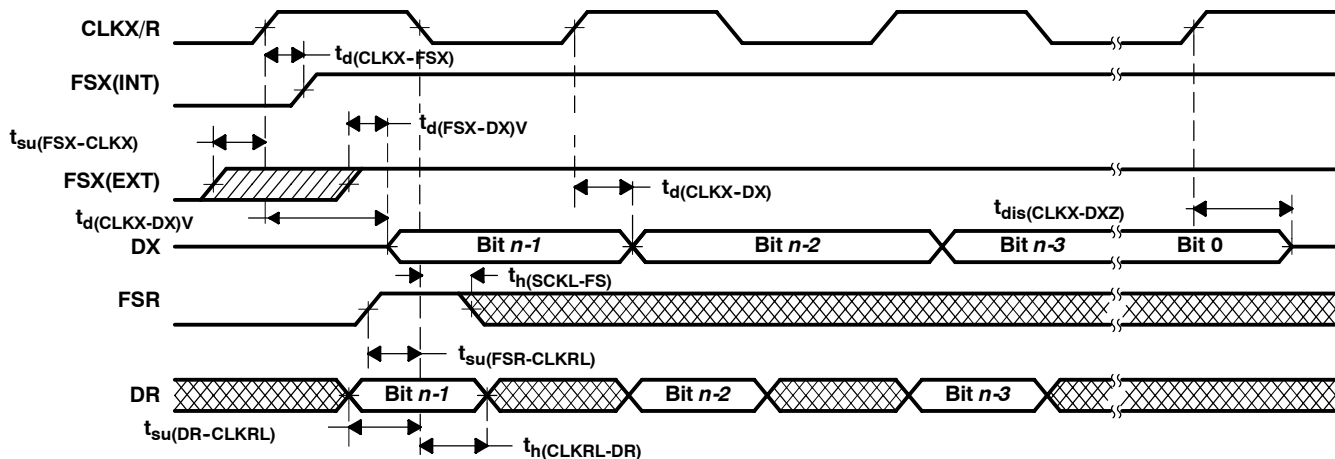
data-rate timing modes

Unless otherwise indicated, the data-rate timings shown in Figure 31 and Figure 32 are valid for all serial-port modes, including handshake. For a functional description of serial-port operation, see the *TMS320C3x User's Guide* (literature number SPRU031).



- NOTES: A. Timing diagrams show operations with CLKXP = CLKRP = FSXP = FSRP = 0.
B. Timing diagrams depend on the length of the serial-port word, where n = 8, 16, 24, or 32 bits, respectively.

Figure 31. Fixed Data-Rate Mode Timing



- NOTES: A. Timing diagrams show operation with CLKXP = CLKRP = FSXP = FSRP = 0.
B. Timing diagrams depend on the length of the serial-port word, where n = 8, 16, 24, or 32 bits, respectively.
C. The timings that are not specified expressly for the variable data-rate mode are the same as those that are specified for the fixed data-rate mode.

Figure 32. Variable Data-Rate Mode Timing



HOLD timing

$\overline{\text{HOLD}}$ is a synchronous input that can be asserted at any time during a clock cycle. If the specified timings are met, the exact sequence shown in Figure 33 and Figure 34 occurs; otherwise, an additional delay of one clock cycle is possible.

The table, "timing parameters for $\overline{\text{HOLD}}/\overline{\text{HOLDA}}$ ", defines the timing parameters for the $\overline{\text{HOLD}}$ and $\overline{\text{HOLDA}}$ signals. The NOHOLD bit of the primary-bus control register overrides the $\overline{\text{HOLD}}$ signal. When this bit is set, the device comes out of hold and prevents future hold cycles.

Asserting $\overline{\text{HOLD}}$ prevents the processor from accessing the primary bus. Program execution continues until a read from or a write to the primary bus is requested. In certain circumstances, the first write is pending, therefore, allowing the processor to continue (internally) until a second external write is encountered.

Figure 33, Figure 34, and the accompanying timings are for a zero wait-state bus configuration. Since $\overline{\text{HOLD}}$ is internally captured by the CPU on the H1 falling edge one cycle before the present cycle is terminated, the minimum $\overline{\text{HOLD}}$ width for any bus configuration is, therefore, WTCNT+3. Also, $\overline{\text{HOLD}}$ should not be deasserted before $\overline{\text{HOLDA}}$ has been active for at least one cycle.

timing requirements for $\overline{\text{HOLD}}/\overline{\text{HOLDA}}$ (see Figure 33 and Figure 34)

		VC33-120		VC33-150		UNIT
		MIN	MAX	MIN	MAX	
$t_{su}(\overline{\text{HOLD}}\text{-H1L})$	Setup time, $\overline{\text{HOLD}}$ before H1 low	4		3		ns
$t_{w}(\overline{\text{HOLD}})$	Pulse duration, $\overline{\text{HOLD}}$ low	$3t_{c(H)}$		$3t_{c(H)}$		ns

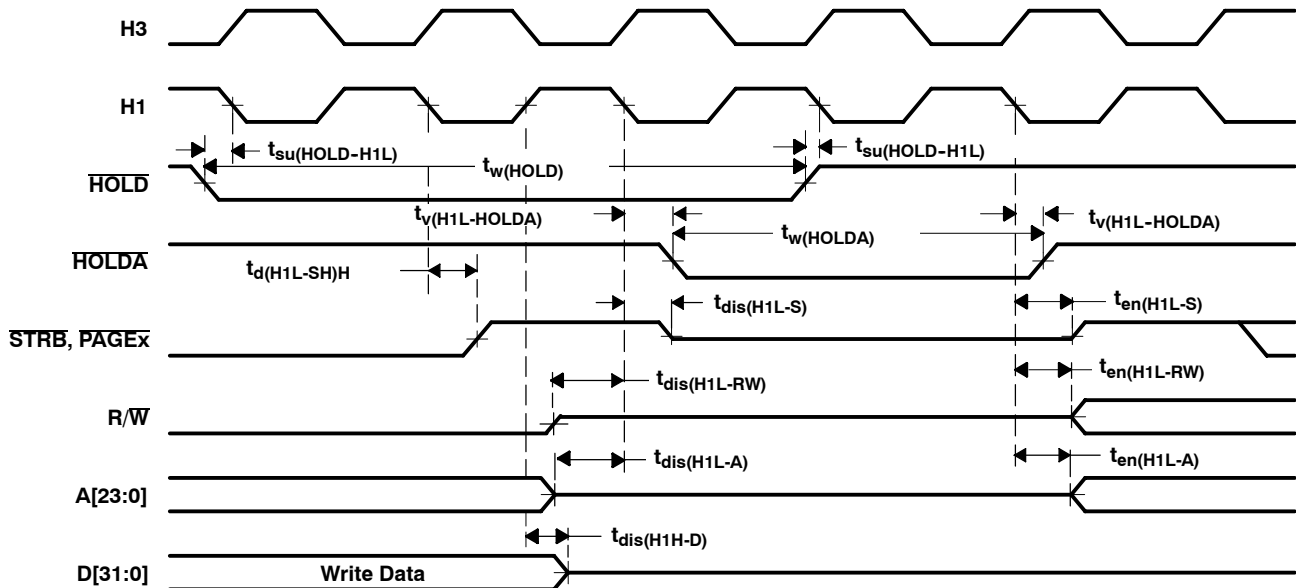
switching characteristics over recommended operating conditions for $\overline{\text{HOLD}}/\overline{\text{HOLDA}}$ (see Figure 33 and Figure 34)

PARAMETER		VC33-120		VC33-150		UNIT
		MIN	MAX	MIN	MAX	
$t_{v}(\text{H1L}\text{-}\overline{\text{HOLDA}})$	Valid time, $\overline{\text{HOLDA}}$ after H1 low	-1	4	-1	3	ns
$t_{w}(\overline{\text{HOLDA}})$	Pulse duration, $\overline{\text{HOLDA}}$ low	$2t_{c(H)} - 4$		$2t_{c(H)} - 4$		ns
$t_{d}(\text{H1L}\text{-}\overline{\text{SH}})\text{H}$	Delay time, H1 low to $\overline{\text{STRB}}$ high for a $\overline{\text{HOLD}}$	-1	4	-1	3	ns
$t_{dis}(\text{H1L}\text{-}\overline{\text{S}})$	Disable time, $\overline{\text{STRB}}$ to the high-impedance state from H1 low		5		4	ns
$t_{en}(\text{H1L}\text{-}\overline{\text{S}})$	Enable time, $\overline{\text{STRB}}$ enabled (active) from H1 low		5		5	ns
$t_{dis}(\text{H1L}\text{-}\overline{\text{RW}})$	Disable time, R/W to the high-impedance state from H1 low		5		4	ns
$t_{en}(\text{H1L}\text{-}\overline{\text{RW}})$	Enable time, R/W enabled (active) from H1 low		5		5	ns
$t_{dis}(\text{H1L}\text{-}\overline{\text{A}})$	Disable time, Address to the high-impedance state from H1 low		5		4	ns
$t_{en}(\text{H1L}\text{-}\overline{\text{A}})$	Enable time, Address enabled (valid) from H1 low		5		5	ns
$t_{dis}(\text{H1H}\text{-}\overline{\text{D}})$	Disable time, Data to the high-impedance state from H1 high		5		4	ns

TMS320VC33 DIGITAL SIGNAL PROCESSOR

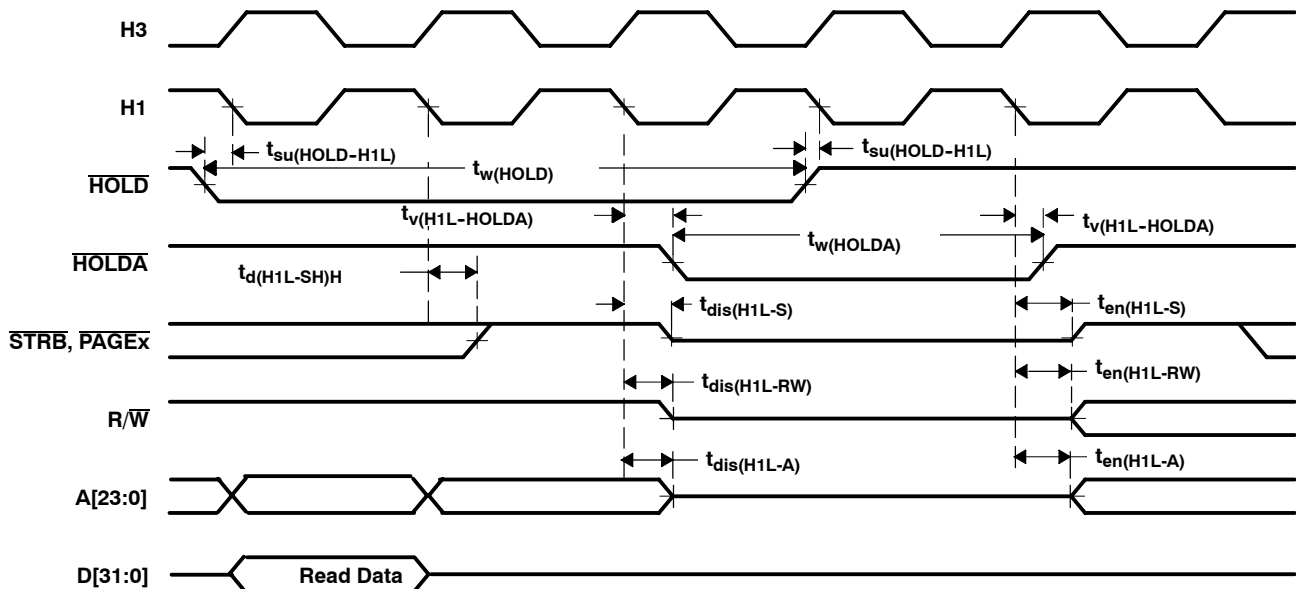
SPRS087E - FEBRUARY 1999 - REVISED JANUARY 2004

HOLD timing (continued)



NOTE A: \overline{HOLDA} goes low in response to \overline{HOLD} going low and continues to remain low until one H1 cycle after \overline{HOLD} goes back high.

Figure 33. Timing for $\overline{HOLD}/\overline{HOLDA}$ (After Write)



NOTE A: \overline{HOLDA} goes low in response to \overline{HOLD} going low and continues to remain low until one H1 cycle after \overline{HOLD} goes back high.

Figure 34. Timing for $\overline{HOLD}/\overline{HOLDA}$ (After Read)

general-purpose I/O timing

Peripheral pins include CLKX0, CLKR0, DX0, DR0, FSX0, FSR0, and TCLK0/1. The contents of the internal control registers associated with each peripheral define the modes for these pins.

peripheral pin I/O timing

The following tables show the timing parameters for changing the peripheral pin from a general-purpose output pin to a general-purpose input pin and vice versa.

timing requirements for peripheral pin general-purpose I/O (see Note 1, Figure 35, and Figure 36)

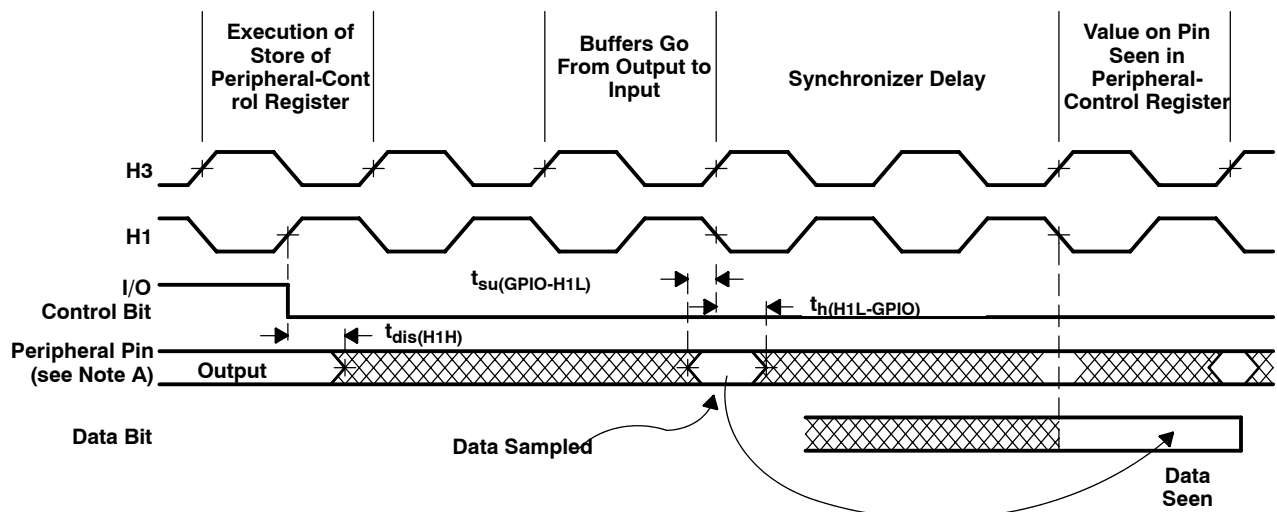
	VC33-120		VC33-150		UNIT
	MIN	MAX	MIN	MAX	
$t_{su}(GPIO-H1L)$ Setup time, general-purpose input before H1 low	4		3		ns
$t_h(H1L-GPIO)$ Hold time, general-purpose input after H1 low	0		0		ns

NOTE 1: Peripheral pins include CLKX0, CLKR0, DX0, DR0, FSX0, FSR0, and TCLK0/1. The modes of these pins are defined by the contents of internal-control registers associated with each peripheral.

switching characteristics over recommended operating conditions for peripheral pin general-purpose I/O (see Note 1, Figure 35, and Figure 36)

PARAMETER	VC33-120		VC33-150		UNIT
	MIN	MAX	MIN	MAX	
$t_{d(H1H-GPIO)}$ Delay time, H1 high to general-purpose output		5		4	ns
$t_{dis(H1H)}$ Disable time, general-purpose output from H1 high		7		5	ns

NOTE 1: Peripheral pins include CLKX0, CLKR0, DX0, DR0, FSX0, FSR0, and TCLK0/1. The modes of these pins are defined by the contents of internal-control registers associated with each peripheral.



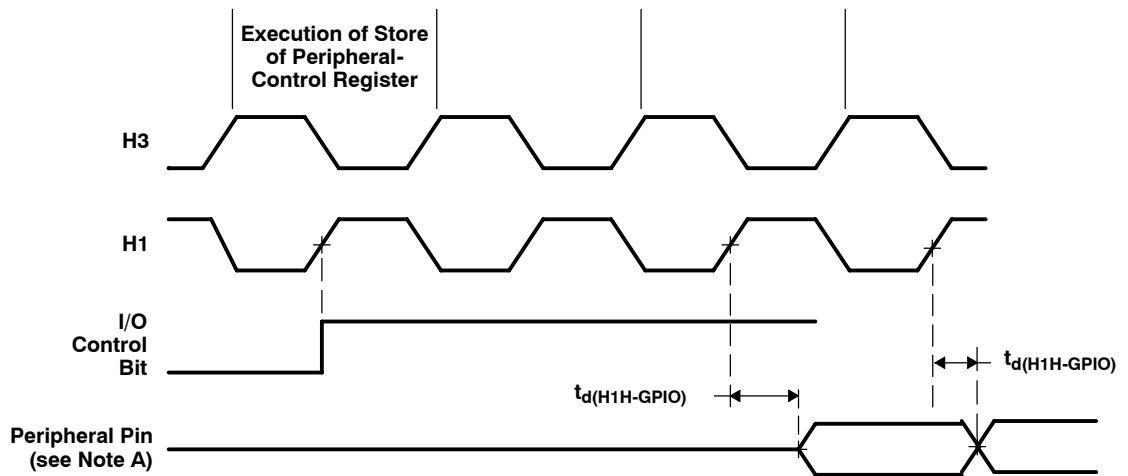
NOTE A: Peripheral pins include CLKX0, CLKR0, DX0, DR0, FSX0, FSR0, and TCLK0/1.

Figure 35. Change of Peripheral Pin From General-Purpose Output to Input Mode Timing

TMS320VC33 DIGITAL SIGNAL PROCESSOR

SPRS087E - FEBRUARY 1999 - REVISED JANUARY 2004

peripheral pin I/O timing (continued)



NOTE A: Peripheral pins include CLKX0, CLKR0, DX0, DR0, FSX0, FSR0, and TCLK0/1.

Figure 36. Change of Peripheral Pin From General-Purpose Input to Output Mode Timing

timer pin timing

Valid logic-level periods and polarity are specified by the contents of the internal control registers. The following tables define the timing parameters for the timer pin.

timing requirements for timer pin (see Figure 37 and Figure 38)

		VC33-120		VC33-150		UNIT
		MIN	MAX	MIN	MAX	
$t_{su(TCLK-H1L)}^\dagger$	Setup time, TCLK external before H1 low	4		3		ns
$t_{h(H1L-TCLK)}^\dagger$	Hold time, TCLK external after H1 low	0		0		ns

[†] These requirements are applicable for a synchronous input clock.

switching characteristics over recommended operating conditions for timer pin (see Figure 37 and Figure 38)

PARAMETER		VC33-120		VC33-150		UNIT
		MIN	MAX	MIN	MAX	
$t_{d(H1H-TCLK)}$	Delay time, H1 high to TCLK internal valid		4		3	ns
$t_{c(TCLK)}^\ddagger$	Cycle time, TCLK	TCLK ext	$t_{c(H)} * 2.6$		$t_{c(H)} * 2.6$	ns
		TCLK int	$t_{c(H)} * 2$	$t_{c(H)} * 2^{32}$	$t_{c(H)} * 2$	
$t_{w(TCLK)}^\ddagger$	Pulse duration, TCLK	TCLK ext	$t_{c(H)} + 6$		$t_{c(H)} + 5$	ns
		TCLK int	$[t_{c(TCLK)}/2] - 4$	$[t_{c(TCLK)}/2] + 4$	$[t_{c(TCLK)}/2] - 4$	

[‡] These parameters are applicable for an asynchronous input clock.

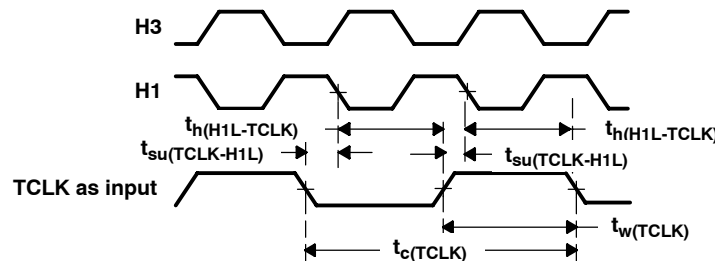


Figure 37. Timer Pin Timing, Input

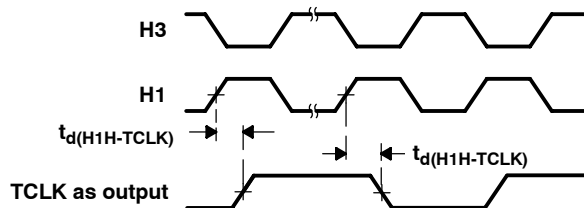


Figure 38. Timer Pin Timing, Output

TMS320VC33 DIGITAL SIGNAL PROCESSOR

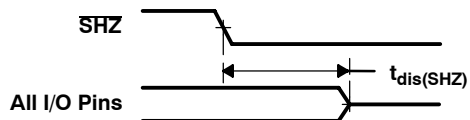
SPRS087E - FEBRUARY 1999 - REVISED JANUARY 2004

$\overline{\text{SHZ}}$ pin timing

The following table defines the timing parameter for the $\overline{\text{SHZ}}$ pin.

switching characteristics over recommended operating conditions for $\overline{\text{SHZ}}$ (see Figure 39)

PARAMETER	MIN	MAX	UNIT
$t_{\text{dis}}(\overline{\text{SHZ}})$ Disable time, $\overline{\text{SHZ}}$ low to all outputs, I/O pins disabled (high impedance)	0	8	ns



NOTE A: Enabling $\overline{\text{SHZ}}$ destroys TMS320VC33 register and memory contents. Assert $\overline{\text{SHZ}} = 1$ and reset the TMS320VC33 to restore it to a known condition.

Figure 39. Timing for $\overline{\text{SHZ}}$

IEEE-1149.1 test access port timing

The following table defines the timing parameter for the IEEE-1149.1 test access port.

timing for IEEE-1149.1 test access port (see Figure 40)

		VC33-120		VC33-150		UNIT
		MIN	MAX	MIN	MAX	
$t_{su}(TMS-TCKH)$	Setup time, TMS/TDI to TCK high	5		5		ns
$t_h(TCKH-TMS)$	Hold time, TMS/TDI from TCK high	5		5		ns
$t_d(TCKL-TDOV)$	Delay time, TCK low to TDO valid	0	10	0	10	ns
$t_r(TCK)$	Rise time, TCK		3		3	ns
$t_f(TCK)$	Fall time, TCK		3		3	ns

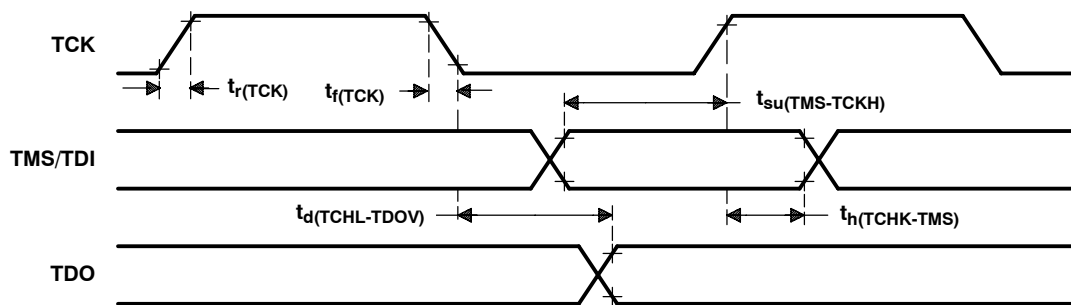


Figure 40. IEEE-1149.1 Test Access Port Timings

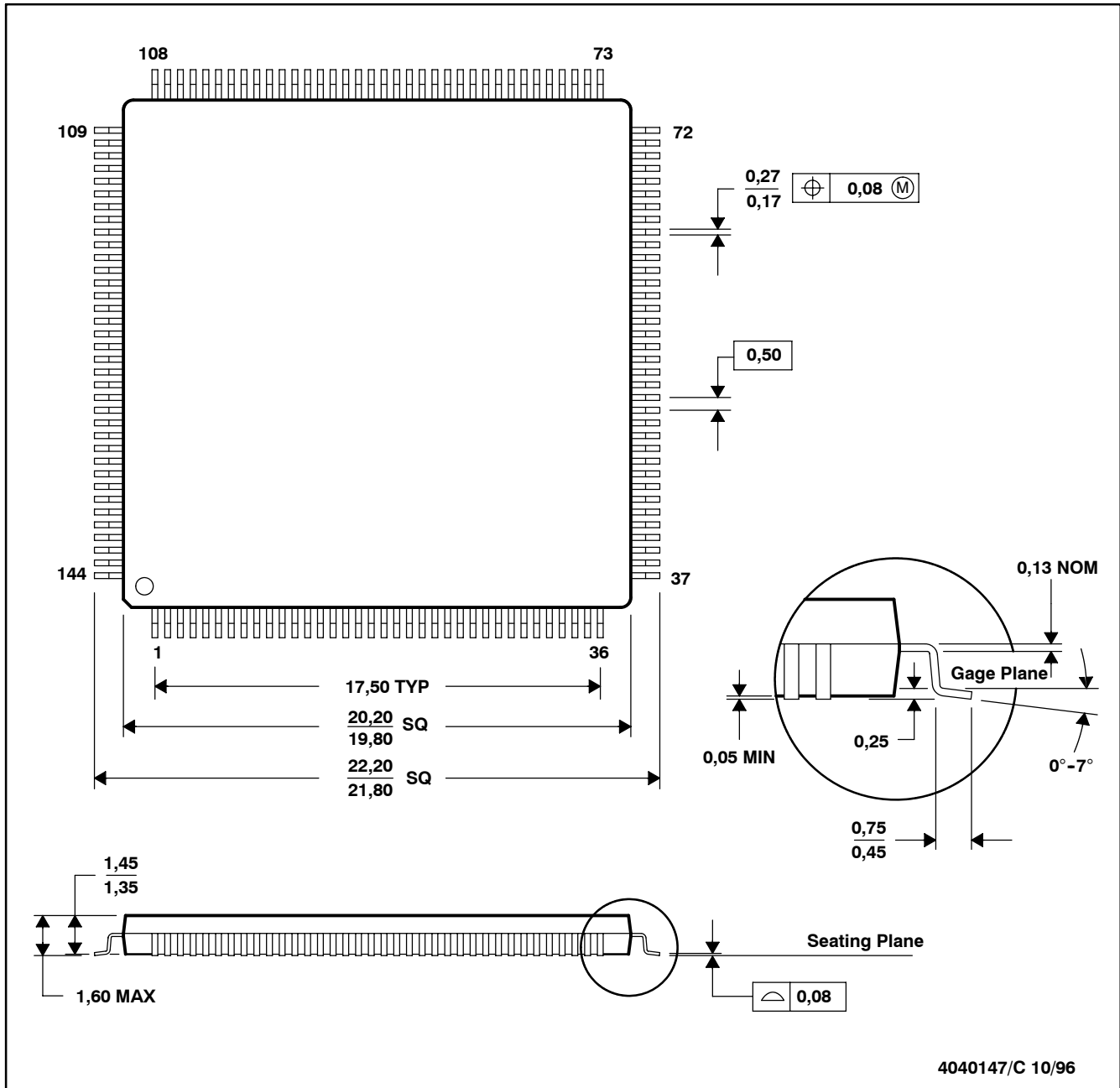
TMS320VC33 DIGITAL SIGNAL PROCESSOR

SPRS087E - FEBRUARY 1999 - REVISED JANUARY 2004

MECHANICAL DATA

PGE (S-PQFP-G144)

PLASTIC QUAD FLATPACK



- NOTES: A. All linear dimensions are in millimeters.
 B. This drawing is subject to change without notice.
 C. Falls within JEDEC MS-026

Thermal Resistance Characteristics

PARAMETER	°C/W
$R_{\theta JA}$	56
$R_{\theta JC}$	5

PACKAGING INFORMATION

Orderable Device	Status (1)	Package Type	Package Drawing	Pins	Package Qty	Eco Plan (2)	Lead/Ball Finish (6)	MSL Peak Temp (3)	Op Temp (°C)	Device Marking (4/5)	Samples
TMS320VC33PGE120	NRND	LQFP	PGE	144	60	Green (RoHS & no Sb/Br)	CU NIPDAU	Level-1-260C-UNLIM	0 to 0	TMS320VC33PGE	
TMS320VC33PGE120G4	NRND	LQFP	PGE	144	60	Green (RoHS & no Sb/Br)	CU NIPDAU	Level-1-260C-UNLIM	0 to 0	TMS320VC33PGE	
TMS320VC33PGE150	NRND	LQFP	PGE	144	60	Green (RoHS & no Sb/Br)	CU NIPDAU	Level-1-260C-UNLIM	0 to 0	TMS320VC33PGE -150	
TMS320VC33PGEA120	NRND	LQFP	PGE	144	60	Green (RoHS & no Sb/Br)	CU NIPDAU	Level-1-260C-UNLIM	0 to 0	TMS320VC33PGE A120	

(1) The marketing status values are defined as follows:

ACTIVE: Product device recommended for new designs.

LIFEBUY: TI has announced that the device will be discontinued, and a lifetime-buy period is in effect.

NRND: Not recommended for new designs. Device is in production to support existing customers, but TI does not recommend using this part in a new design.

PREVIEW: Device has been announced but is not in production. Samples may or may not be available.

OBSOLETE: TI has discontinued the production of the device.

(2) **RoHS:** TI defines "RoHS" to mean semiconductor products that are compliant with the current EU RoHS requirements for all 10 RoHS substances, including the requirement that RoHS substance do not exceed 0.1% by weight in homogeneous materials. Where designed to be soldered at high temperatures, "RoHS" products are suitable for use in specified lead-free processes. TI may reference these types of products as "Pb-Free".

RoHS Exempt: TI defines "RoHS Exempt" to mean products that contain lead but are compliant with EU RoHS pursuant to a specific EU RoHS exemption.

Green: TI defines "Green" to mean the content of Chlorine (Cl) and Bromine (Br) based flame retardants meet JS709B low halogen requirements of ≤ 1000 ppm threshold. Antimony trioxide based flame retardants must also meet the ≤ 1000 ppm threshold requirement.

(3) MSL, Peak Temp. - The Moisture Sensitivity Level rating according to the JEDEC industry standard classifications, and peak solder temperature.

(4) There may be additional marking, which relates to the logo, the lot trace code information, or the environmental category on the device.

(5) Multiple Device Markings will be inside parentheses. Only one Device Marking contained in parentheses and separated by a "-" will appear on a device. If a line is indented then it is a continuation of the previous line and the two combined represent the entire Device Marking for that device.

(6) Lead/Ball Finish - Orderable Devices may have multiple material finish options. Finish options are separated by a vertical ruled line. Lead/Ball Finish values may wrap to two lines if the finish value exceeds the maximum column width.

Important Information and Disclaimer: The information provided on this page represents TI's knowledge and belief as of the date that it is provided. TI bases its knowledge and belief on information provided by third parties, and makes no representation or warranty as to the accuracy of such information. Efforts are underway to better integrate information from third parties. TI has taken and

continues to take reasonable steps to provide representative and accurate information but may not have conducted destructive testing or chemical analysis on incoming materials and chemicals. TI and TI suppliers consider certain information to be proprietary, and thus CAS numbers and other limited information may not be available for release.

In no event shall TI's liability arising out of such information exceed the total purchase price of the TI part(s) at issue in this document sold by TI to Customer on an annual basis.

OTHER QUALIFIED VERSIONS OF TMS320VC33 :

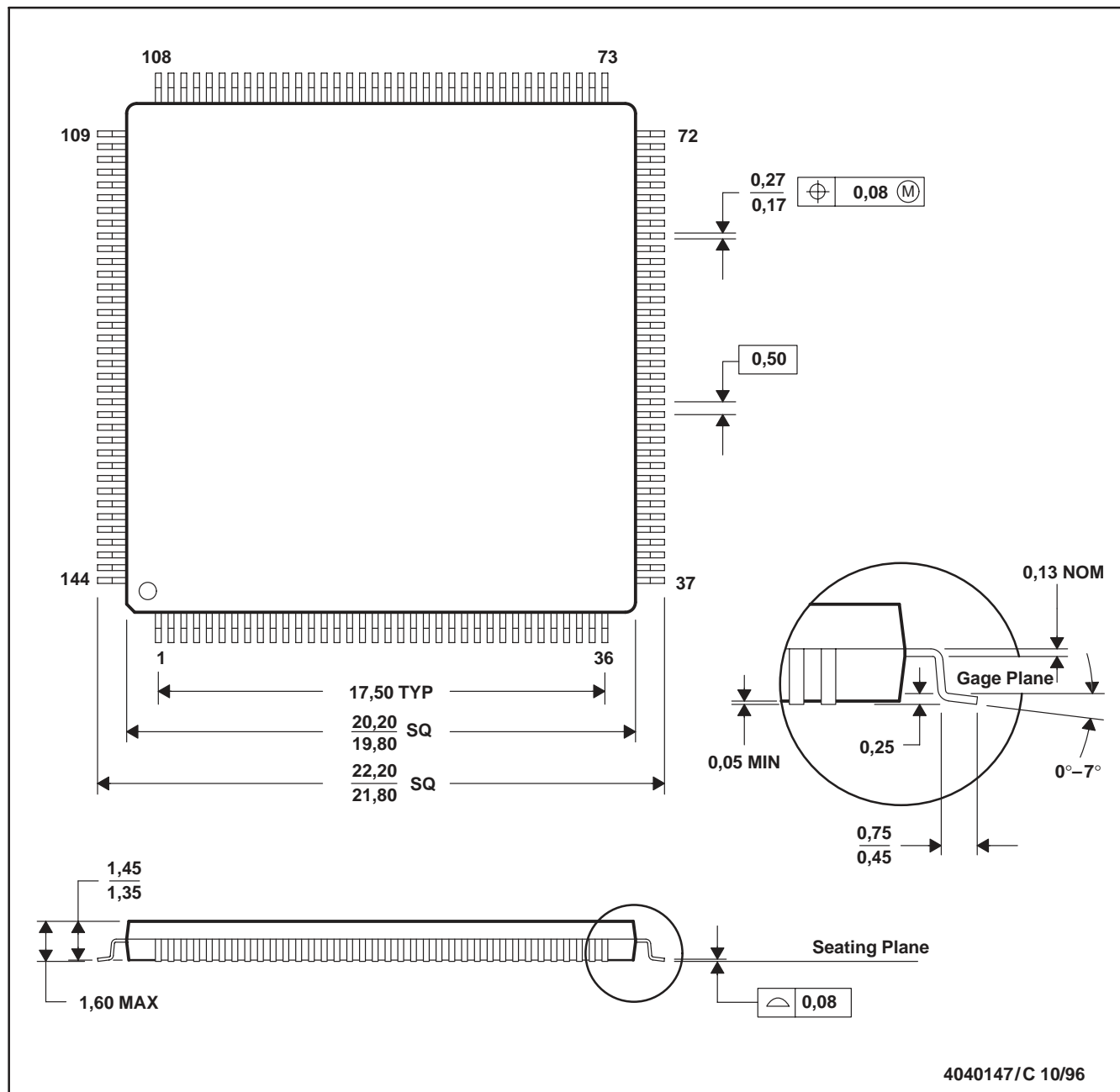
- Enhanced Product: [SM320VC33-EP](#)
- Military: [SMJ320VC33](#)

NOTE: Qualified Version Definitions:

- Enhanced Product - Supports Defense, Aerospace and Medical Applications
- Military - QML certified for Military and Defense Applications

PGE (S-PQFP-G144)

PLASTIC QUAD FLATPACK



- NOTES: A. All linear dimensions are in millimeters.
 B. This drawing is subject to change without notice.
 C. Falls within JEDEC MS-026

IMPORTANT NOTICE AND DISCLAIMER

TI PROVIDES TECHNICAL AND RELIABILITY DATA (INCLUDING DATASHEETS), DESIGN RESOURCES (INCLUDING REFERENCE DESIGNS), APPLICATION OR OTHER DESIGN ADVICE, WEB TOOLS, SAFETY INFORMATION, AND OTHER RESOURCES "AS IS" AND WITH ALL FAULTS, AND DISCLAIMS ALL WARRANTIES, EXPRESS AND IMPLIED, INCLUDING WITHOUT LIMITATION ANY IMPLIED WARRANTIES OF MERCHANTABILITY, FITNESS FOR A PARTICULAR PURPOSE OR NON-INFRINGEMENT OF THIRD PARTY INTELLECTUAL PROPERTY RIGHTS.

These resources are intended for skilled developers designing with TI products. You are solely responsible for (1) selecting the appropriate TI products for your application, (2) designing, validating and testing your application, and (3) ensuring your application meets applicable standards, and any other safety, security, or other requirements. These resources are subject to change without notice. TI grants you permission to use these resources only for development of an application that uses the TI products described in the resource. Other reproduction and display of these resources is prohibited. No license is granted to any other TI intellectual property right or to any third party intellectual property right. TI disclaims responsibility for, and you will fully indemnify TI and its representatives against, any claims, damages, costs, losses, and liabilities arising out of your use of these resources.

TI's products are provided subject to TI's Terms of Sale (www.ti.com/legal/termsofsale.html) or other applicable terms available either on ti.com or provided in conjunction with such TI products. TI's provision of these resources does not expand or otherwise alter TI's applicable warranties or warranty disclaimers for TI products.

Mailing Address: Texas Instruments, Post Office Box 655303, Dallas, Texas 75265
Copyright © 2019, Texas Instruments Incorporated