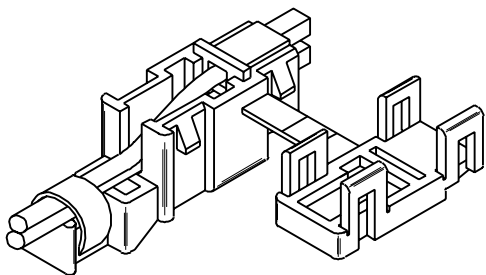
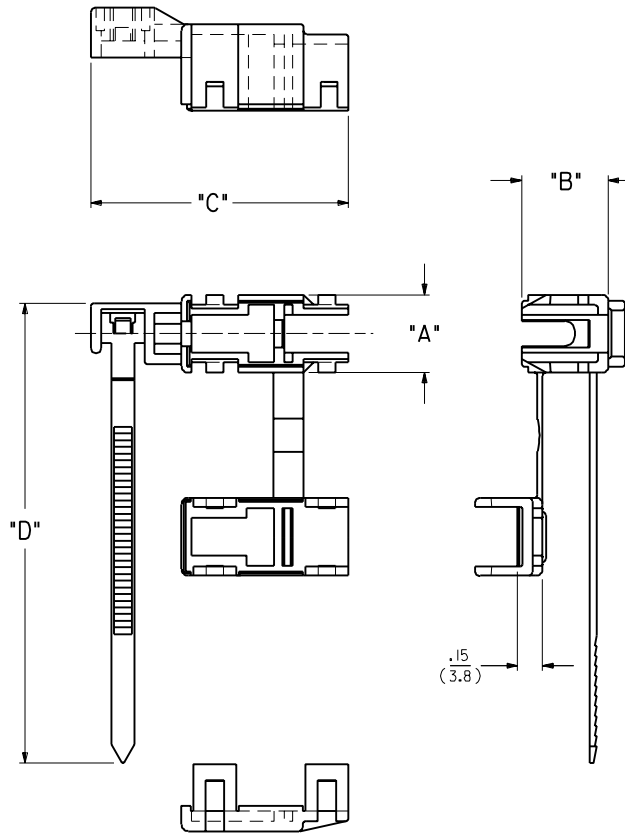


2 CIRCUIT PART (CLOSED)



2 CIRCUIT PART (OPEN)



NOTES:

- 1) THIS PART IS TO BE USED ONLY WITH MINI-FIT JR. SERIES CONNECTORS WITHOUT MOUNTING EARS, PER CHART. SEE PAGE 2.
- 2) THIS PART CAN BE USED WITH A STANDARD TIE-STRAP GUN.
- 3) ALL DIMENSIONS ARE FOR REFERENCE ONLY.
- 4) IF THIS PRODUCT IS STORED IN AN ENVIRONMENT WITH A RELATIVE HUMIDITY OF LESS THAN 50%, MOISTURE MUST BE ADDED AS PER THE FOLLOWING:
 - A) ADD 0.4 oz. OF DEIONIZED WATER PER 1.0 lb. OF PRODUCT
 - B) RESEAL PLASTIC BAG AFTER MOISTURIZATION

G2	REVISED LICR2000-0297 L.MOSLEY 99/10/28
G1	REVISED ECN U70573 RUSHTON 96/12/4
G	REMOVED 10 CKT. PART, ECN U31520 GEP 11-8-93
F	REVISED PER ECR U10256 1-11-91 RJF
E2	ADDED E.O.P. NO. PER ERO 29246 11-28-89 RF
E1	REV. A & B ADDED DIM D, ERO 29152 GEP 11-8-89 RJF
E	REV. & ADDED 3AA & 3AB, ECN U90966 GEP 8-15-89 RJF
DI	REVISED PER ERO 28534 6-16-89 RJF
D	REDRAWN ON CAD 05-01-89 RHR/DMF
MFG. SH. REV. LTR. REVISIONS	

DIMENSIONS SHOWN (METRIC) INCH		UNLESS OTHERWISE SPECIFIED TOLERANCES: ANGULAR ± 1/2°		TITLE	
INCH		METRIC		STRAIN RELIEF FOR MINI-FIT PLUGS AND RECEPTACLES	
3 PLACE	± .005	± .005	± .005	MOLEX INCORPORATED	
2 PLACE	± .005	± .005	± .005	SHEET NO. DATE	
1 PLACE	± .005	± .005	± .005	1 OF 2 05/01/89	
DRAFT WHERE APPLICABLE MUST REMAIN WITHIN DIMENSIONS		PART NO. L15LEJLL 69532		DRWG. NO. SD-41995-***	
DRWC. BY DMF	CHKD. BY RHR	FILE NAME SD41995X1.DWG	THIS DRAWING CONTAINS INFORMATION THAT IS PROPRIETARY TO MOLEX INC. AND SHOULD NOT BE USED WITHOUT WRITTEN PERMISSION.		
APP'D. BY RAS	SCALE 2 : 1	REV. LTR.		DIV. CP	

		13	12	11	10	9	8	7	6	41995	4	3	2	1			
J		PART NO.	ENG. NO.	FOR USE WITH CONNECTOR NO.	CKT. SIZE	DIM. "A"	DIM. "B"	DIM. "C"	DIM. "D"								J
		15-04-0340	41995-2AA	5557-02R 5559-02P	2	.47/(11.9)	.52/(13.2)	1.54/(39.1)	2.75/(69.8)								
		15-04-0294	41995-4AA	5557-04R 5559-04P	4	.63/(16.0)	.52/(13.2)	1.89/(48.0)	4.25/(107.9)								
I		15-04-0296	41995-6AA	5557-06R 5559-06P	6	.80/(20.2)	.52/(13.2)	1.89/(48.0)	3.25/(82.55)								I
		15-04-0343	41995-8AA	5557-08R 5559-08P	8	.97/(24.6)	.52/(13.2)	1.89/(48.0)	4.25/(107.9)								
H		15-04-0345	41995-12AA	5557-12R 5559-12P	12	1.30/(33.0)	.52/(13.2)	1.89/(48.0)	4.25/(107.9)								H
		NOT TOOLED	41995-14AA	5557-14R 5559-14P	14	1.46/(37.0)	.64/(16.2)	1.89/(48.0)	4.25/(107.9)								
		NOT TOOLED	41995-16AA	5557-16R 5559-16P	16	1.62/(41.1)	.64/(16.2)	1.89/(48.0)	4.25/(107.9)								
G		NOT TOOLED	41995-18AA	5557-18R 5559-18P	18	1.79/(45.4)	.80/(20.3)	2.04/(51.8)	4.25/(107.9)								G
		NOT TOOLED	41995-20AA	5557-20R 5559-20P	20	1.95/(49.6)	.80/(20.3)	2.04/(51.8)	4.25/(107.9)								
		NOT TOOLED	41995-22AA	5557-22R 5559-22P	22	2.12/(53.7)	.80/(20.3)	2.04/(51.8)	4.25/(107.9)								
F		NOT TOOLED	41995-2AB	5557-02R 5559-02P	2	.47/(11.9)	.52/(13.2)	1.54/(39.1)	2.75/(69.8)								F
		15-04-9341	41995-4AB	5557-04R 5559-04P	4	.63/(16.0)	.52/(13.2)	1.89/(48.0)	4.25/(107.9)								
E		15-04-9342	41995-6AB	5557-06R 5559-06P	6	.80/(20.3)	.52/(13.2)	1.89/(48.0)	4.25/(107.9)								E
		15-04-9343	41995-8AB	5557-08R 5559-08P	8	.97/(24.6)	.52/(13.2)	1.89/(48.0)	4.25/(107.9)								
D		NOT TOOLED	41995-12AB	5557-12R 5559-12P	12	1.30/(33.0)	.52/(13.2)	1.89/(48.0)	4.25/(107.9)								D
		NOT TOOLED	41995-14AB	5557-14R 5559-14P	14	1.46/(37.0)	.64/(16.2)	1.89/(48.0)	4.25/(107.9)								
		NOT TOOLED	41995-16AB	5557-16R 5559-16P	16	1.62/(41.1)	.64/(16.2)	1.89/(48.0)	4.25/(107.9)								
C		NOT TOOLED	41995-18AB	5557-18R 5559-18P	18	1.79/(45.4)	.80/(20.3)	2.04/(51.8)	4.25/(107.9)								C
		NOT TOOLED	41995-20AB	5557-20R 5559-20P	20	1.95/(49.6)	.80/(20.3)	2.04/(51.8)	4.25/(107.9)								
		NOT TOOLED	41995-22AB	5557-22R 5559-22P	22	2.12/(53.7)	.80/(20.3)	2.04/(51.8)	4.25/(107.9)								
B																	B
A																	A

LEGEND:

41995-***

BASE NUMBER

CIRCUIT SIZE (2-22)

MATERIAL
A = NYLON 6/6, U.L. 94V-2

COLOR
A = NATURAL (NOT DYED)
B = BLACK (DYED)

G SEE SHT. 1		DIMENSIONS SHOWN METRIC INCH		▽ = 0 ▼ = 0		REVISE ONLY ON CAD SYSTEM	
F SEE SHT. 1		UNLESS OTHERWISE SPECIFIED TOLERANCES ANGLES ARE 1/2°		TITLE		STRAIN RELIEF FOR MINI-FIT PLUGS AND RECEPTACLES	
E2 SEE SHT. 1		INCH METRIC		MOLEX INCORPORATED		SHEET NO. 2 DATE 05/01/89	
E1 SEE SHT. 1		3 PLACE ± --- ---		LITTLE, J.L.L.		68532 U.S.A.	
E SEE SHT. 1		2 PLACE ± --- ± ---		PART NO.		SD-41995-***	
D1 SEE SHT. 1		1 PLACE --- ± ---		SEE CHART		DRWG. NO.	
D SEE SHT. 1		DRAFT WHERE APPLICABLE MUST REMAIN WITHIN DIMENSIONS		FILE NAME		SD41995X2	
G2 SEE SHEET #1		DRWG. BY DMF		SCALE		---	
LTR. REVISIONS		APP'D. BY RAS		THIS DRAWING CONTAINS INFORMATION THAT IS PROPRIETARY TO MOLEX INC. AND SHOULD NOT BE USED WITHOUT WRITTEN PERMISSION		DWN. SIZE CP C	

41995

NO P.S.1