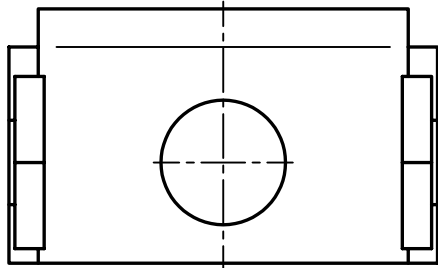
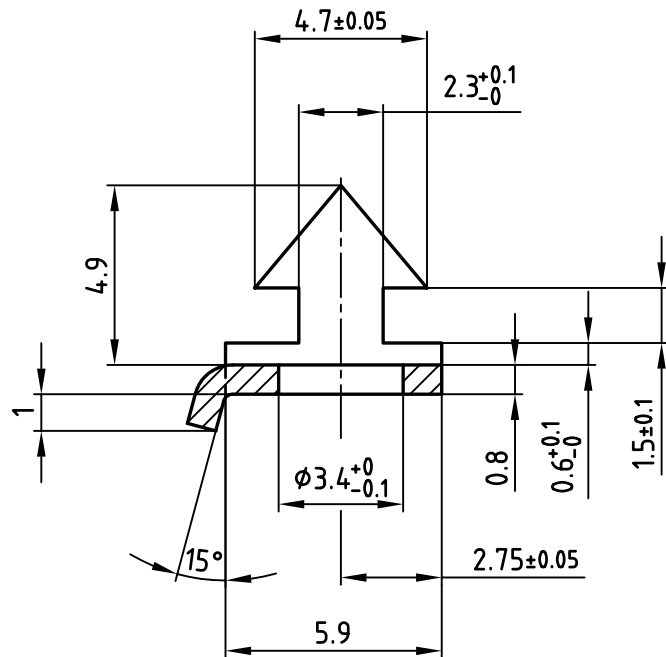
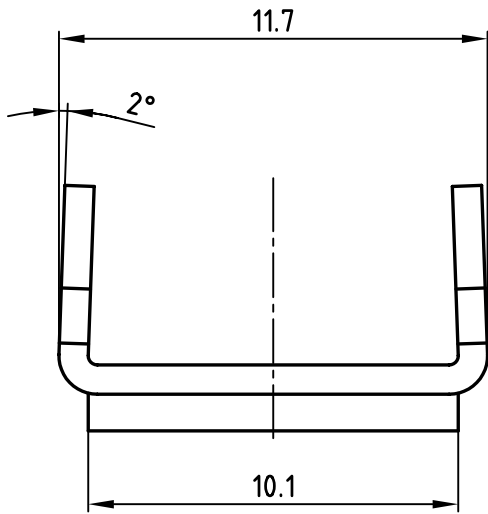


used for: D - SUB




NOTES:

1. Part is splint and burrfree
3. Excellent adhesion of surface to the base material
3. radius without dimensions = R 0.25

THIS DRAWING MAY NOT BE COPIED OR REPRODUCED IN ANY WAY, AND MAY NOT BE PASSED ON TO A THIRD PARTY WITHOUT WRITTEN PERMISSION.
 OWNERSHIP AND COPYRIGHT OF CONEC GmbH
 DO NOT ALTER CAD DRAWING BY HAND

finish: nickel plated			tolerance ISO 2768-m		
1993	date	name			
drawn	05.07.	Barcinski			
appd.	05.07.	Mickenbecker			
norm					
d-old					
rev.	description	date	name		



scale: 5:1	
material: STEEL	
title: LOCK φ3.4 for slide lock	
dwg no: AutoCADREL.13	DIN-A
16V1EE6A	
part no: 165X10119X	
	4 sh: 1/1