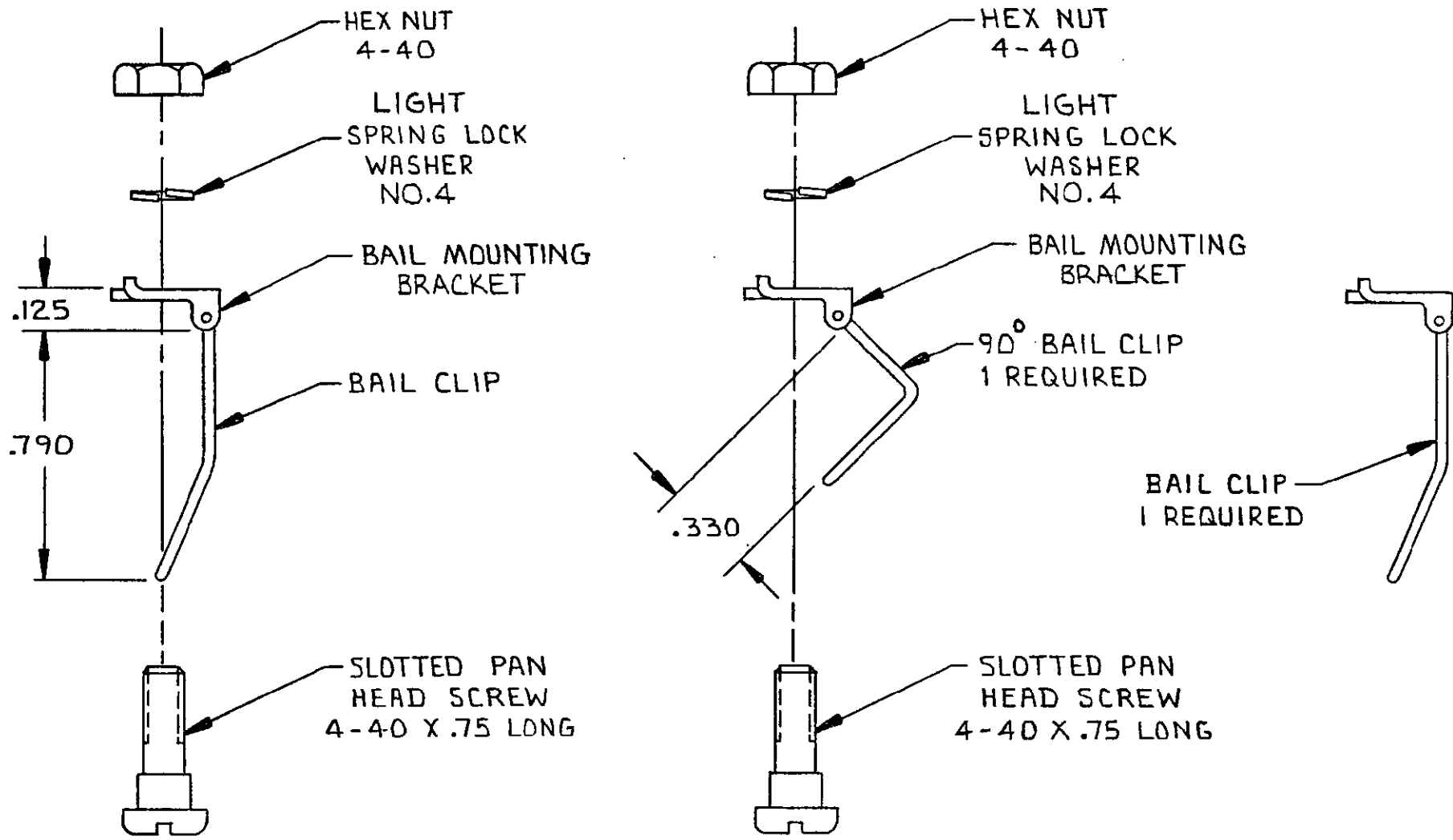


THIS DRAWING IS UNPUBLISHED. RELEASED FOR PUBLICATION, 19
 © COPYRIGHT 1975 BY AMP INCORPORATED, HARRISBURG, PA. ALL INTERNATIONAL RIGHTS RESERVED. AMP PRODUCTS MAY BE COVERED BY U.S. AND FOREIGN PATENTS AND/OR PATENTS PENDING.

LOC AA DIST 20

REVISIONS						
P	F	ZONE	LTR	DESCRIPTION	DATE	APPROVED
			E	REV; EC 0502-0229-97	22 APR 97	DS RF



1. ALL DIMENSIONS SHOWN ARE FOR REFERENCE ONLY UNLESS OTHERWISE SPECIFIED
2. TWO (2) REQUIRED OF EACH COMPONENT PER KIT UNLESS OTHERWISE SPECIFIED.

⚠ MATERIAL: LOCKWASHER - PASSIVATED STAINLESS STEEL.
 BAIL CLIPS, PAN HEAD SCREW & HEX NUT - PASSIVATED STAINLESS STEEL.
 MOUNTING BRACKETS - ZINC PLATED STEEL.

552562-1

552562-2

UNLESS OTHERWISE SPECIFIED DIMENSIONS ARE IN INCHES. TOLERANCES ON: DECIMALS ± ANGLES ±		CONTRACT NO DR <i>A. Holt 9-8-81</i> CHK <i>Mfril 9-9-81</i>		PART NO	
MATERIAL ⚠ 3	APRD <i>R. Wilkerson 9/3/81</i> APPR <i>K. Strick 9/10/81</i>	NAME KIT, HARDWARE, BAIL LOCK, VERTICAL MOUNTING (CHAMP)		AMP INCORPORATED Harrisburg, Pa.	
FINISH ⚠ 3	DSGN APPD OTHER APPD	SIZE B	FSCM NO 00779	DRAWING NO 552562	
		SCALE 2/1	SHEET 1 OF 1		