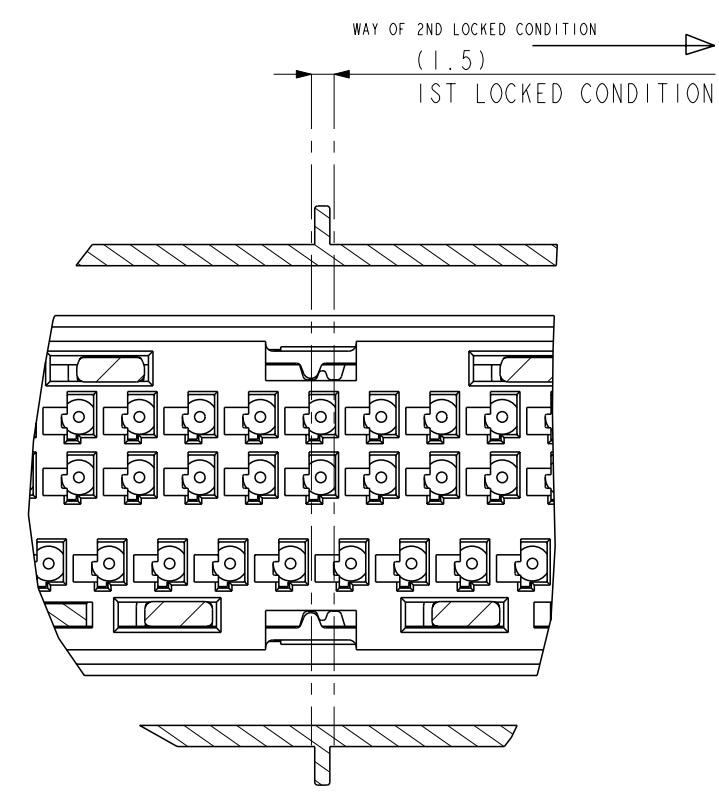
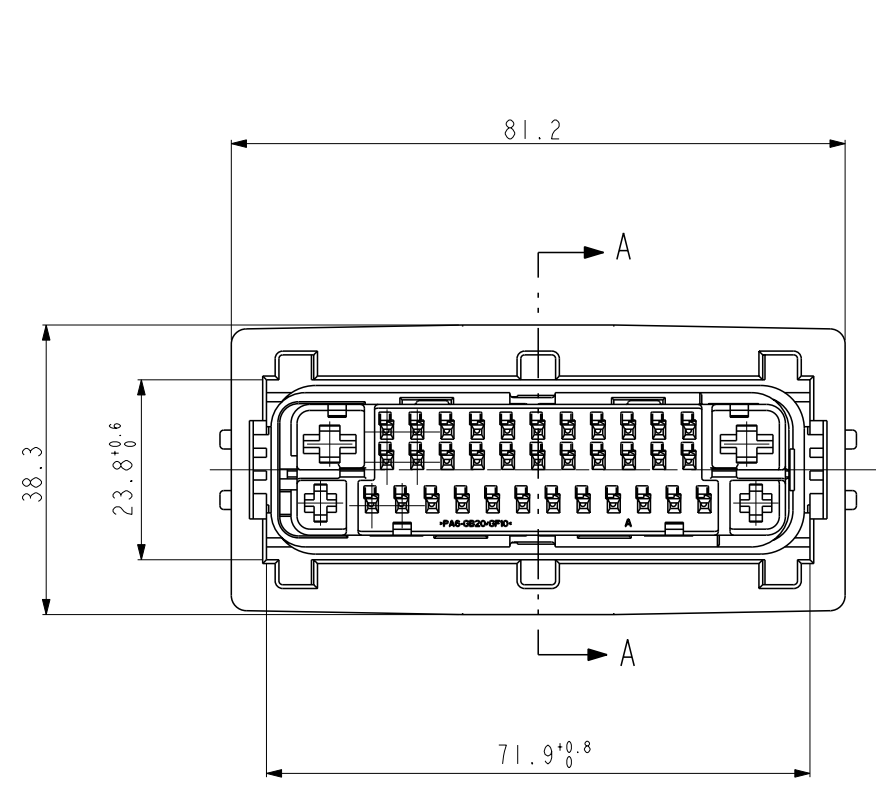
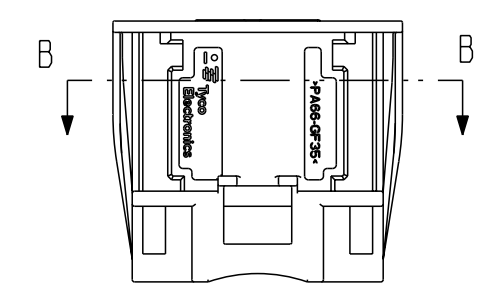
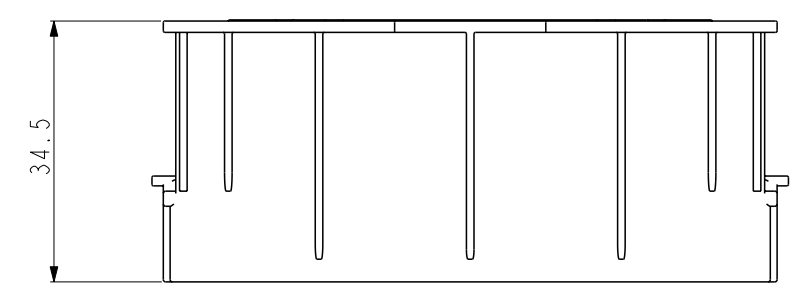


THIS DRAWING IS UNPUBLISHED. RELEASED FOR PUBLICATION 20  
 © COPYRIGHT 2020 TE Connectivity. All Rights Reserved. ALL RIGHTS RESERVED.

REVISIONS				
P	LTR	DESCRIPTION	DATE	DWN APVD
D1		REVISED (ECR-16-017989)	21DEC2016	SJ JW
D2		REVISED (ECR-20-018098)	24DEC2020	HC YJ



SECTION B-B  
SCALE 2:1



TE ORDER NO	WIRE RANGE MM	FINISH	SINGLE WIRE SEAL NO	SEALING PLUG
964273-1	1.0~2.5	PRETINNED	963292-1	
964286-1	0.5~1.0	PRETINNED	963293-1	D2 828922-1
964282-1	0.35~0.5	PRETINNED	963294-1	

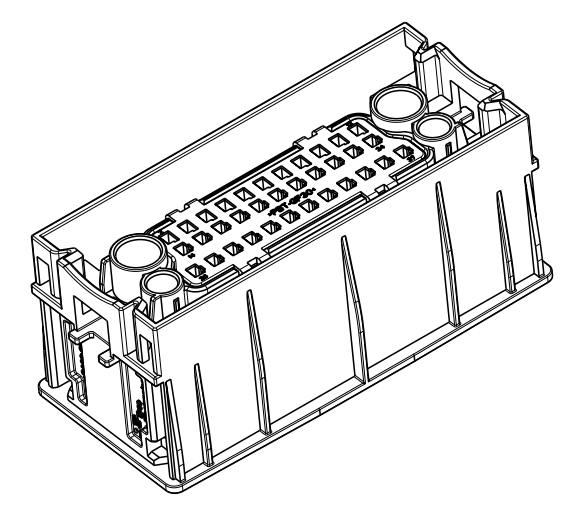
RECOMMENDED CONTACT SYSTEM: JPT -TYPE A ; SEALED

TE ORDER NO	WIRE RANGE MM	FINISH	SINGLE WIRE SEAL NO	SEALING PLUG
969044-1	2.5~4.0	PRETINNED	963245-1	
969042-1	1.0~2.5	PRETINNED	963244-1	D2 100132-1
969040-1	0.5~1.0	PRETINNED	963243-1	

RECOMMENDED CONTACT SYSTEM: SPT -TYPE A ; SEALED

TE ORDER NO	WIRE RANGE MM	FINISH	SEALING PLUG
2098165-1	0.3~0.5	PRETINNED	2005423-3 2109258-4

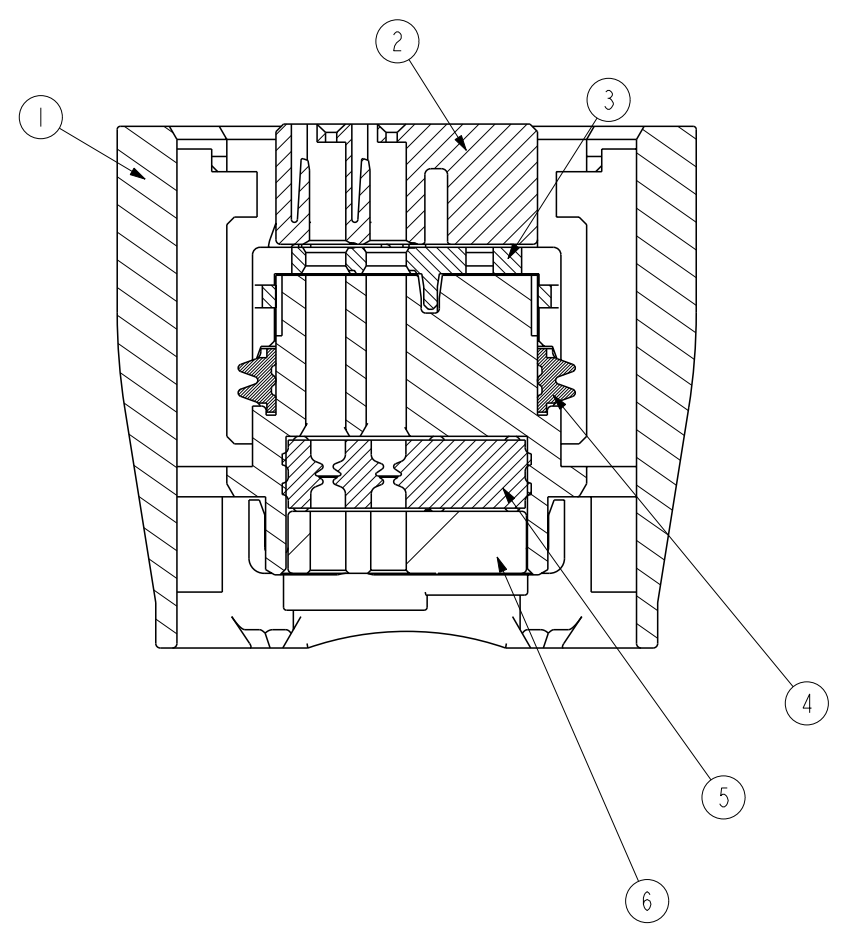
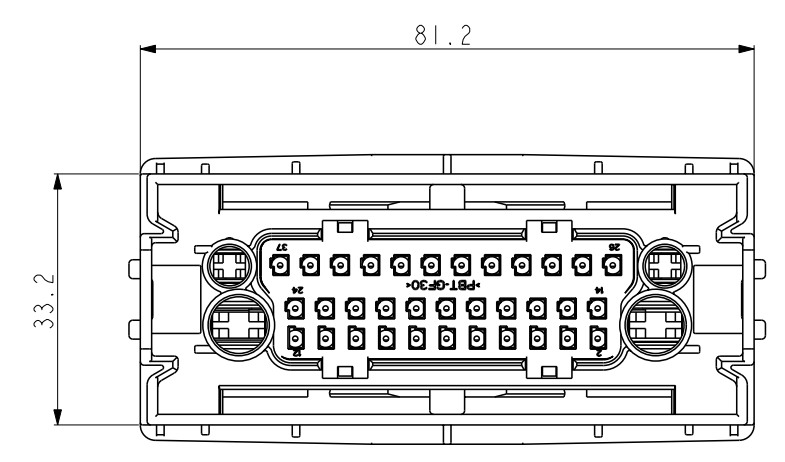
RECOMMENDED CONTACT SYSTEM: 0.8X0.64



NOTE.

1. APPLICABLE COVER ASSY : TE P/N 2005243
- D1 2. APPLICABLE CAVITY PLUG : TE P/N 2005423-3, 2109258-4 FOR 025 TERMINAL
- D2 3. APPLICABLE SEALING PLUG : TE P/N 828922-1 FOR 110 TERMINAL  
TE P/N 100132-1 FOR 250 TERMINAL

ASS'Y P/N	Q'TY
3-2005238-4	
2-2005238-3	
1-2005238-2	
2005238-1	



SECTION A-A  
SCALE 2:1

⑥	COLOR	MATERIAL	DESCRIPTION	Q'TY			
	PINK						
	GRAY	PBT-GF30	SEAL COVER		I		
	BLACK						
	NATURAL						I
⑤	RED ORANGE	SILICONE	FAMILY SEAL	I	I	I	I
④	BROWN	SILICONE (LSR)	INNER SEAL	I	I	I	I
③	NATURAL	PBT-GF30	DBL HSG	I	I	I	I
②	BLACK	PA6-GB20/GF10	CARRIER HSG	I	I	I	I
①	BLACK	PA66-GF35	PLUG HSG	I	I	I	I
NO	COLOR	MATERIAL	DESCRIPTION	Q'TY			

THIS DRAWING IS A CONTROLLED DOCUMENT.		DWN S.J. CHOI	TE Connectivity	
DIMENSIONS: mm		CHK S.J. CHOI		
TOLERANCES UNLESS OTHERWISE SPECIFIED:		APVD J.W. JUNG	NAME	
0 PLC ±		PRODUCT SPEC	025/110/250 HYBRID 38P ISL PLUG ASSY	
1 PLC ±		APPLICATION SPEC	SIZE	CAGE CODE
2 PLC ±0.5		WEIGHT	A2	00779
3 PLC ±			SCALE	DRAWING NO
4 PLC ±			1:1	C-2005238
ANGLES ±3			SHEET	RESTRICTED TO
FINISH			1	2
		CUSTOMER DRAWING; RESTRICTED CUSTOMER		REV D2

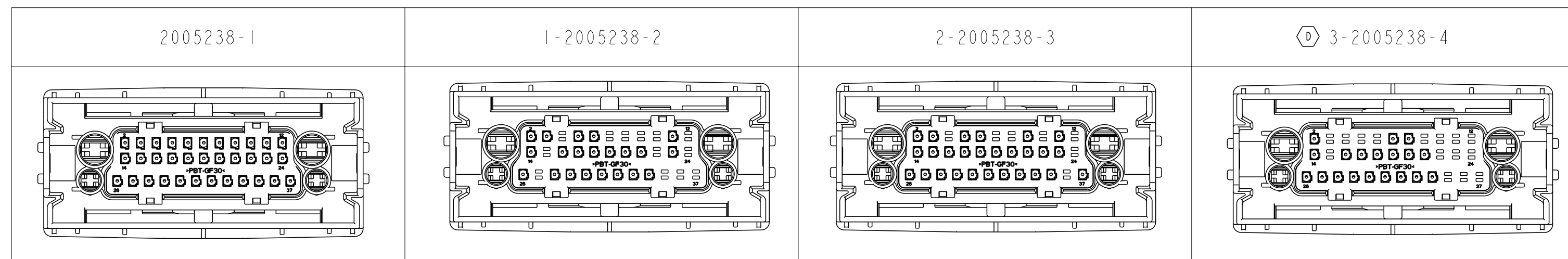
printed on 29 Dec 2020 14:33 from FC001932

THIS DRAWING IS UNPUBLISHED. RELEASED FOR PUBLICATION 20  
 © COPYRIGHT 2020 TE Connectivity. All Rights Reserved. ALL RIGHTS RESERVED.

LOC	DIST	REVISIONS			
P	LTR	DESCRIPTION	DATE	DWN	APVD
-	-	SEE SHEET 1	-	-	-

P/NO	CIRCUIT ARRANGEMENT																																					
	X INDICATES UNAVAILABLE (BLOCKED) CIRCUIT																																					
	1	2	3	4	5	6	7	8	9	10	11	12	13	14	15	16	17	18	19	20	21	22	23	24	25	26	27	28	29	30	31	32	33	34	35	36	37	38
2005238-1	○	○	○	○	○	○	○	○	○	○	○	○	○	○	○	○	○	○	○	○	○	○	○	○	○	○	○	○	○	○	○	○	○	○	○	○	○	○
1-2005238-2	○	○	○	X	○	○	X	X	X	X	○	X	○	○	X	○	○	○	○	○	○	X	○	X	○	○	X	○	○	○	○	○	○	○	X	X	X	○
2-2005238-3	○	○	○	X	○	○	X	X	○	X	○	X	○	○	○	○	○	○	○	○	○	○	X	○	○	○	○	○	○	○	○	○	○	○	○	X	○	○
<span style="border: 1px solid black; border-radius: 50%; padding: 2px;">D</span> 3-2005238-4	○	○	X	X	X	X	○	○	X	X	X	X	○	○	X	○	○	○	○	○	○	X	X	X	○	○	○	○	○	○	○	○	○	X	X	X	○	

\*CODING



THIS DRAWING IS A CONTROLLED DOCUMENT.		DWN SJ CHOI	TE Connectivity	
DIMENSIONS: mm		CHK SJ CHOI		
TOLERANCES UNLESS OTHERWISE SPECIFIED:		APVD JW JUNG	NAME 025/110/250 HYBRID 38P ISL PLUG ASSY	
0 PLC ± 1 PLC ± 2 PLC ±0.5 3 PLC ± 4 PLC ± ANGLES ±3 FINISH		PRODUCT SPEC -	SIZE A2	
MATERIAL		APPLICATION SPEC -	CAGE CODE 00779	DRAWING NO C-2005238
		WEIGHT -	RESTRICTED TO -	
CUSTOMER DRAWING; RESTRICTED CUSTOMER			SCALE 1:1	SHEET 2 OF 2
			REV D2	

Printed on 29 Dec 2020 14:33 from FC001932