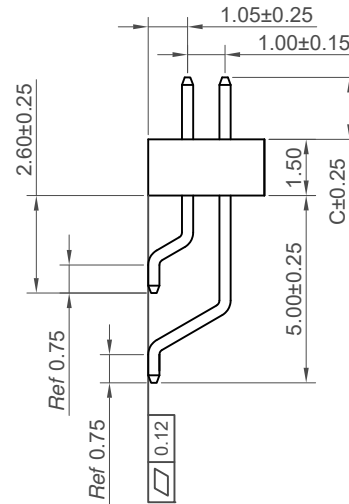
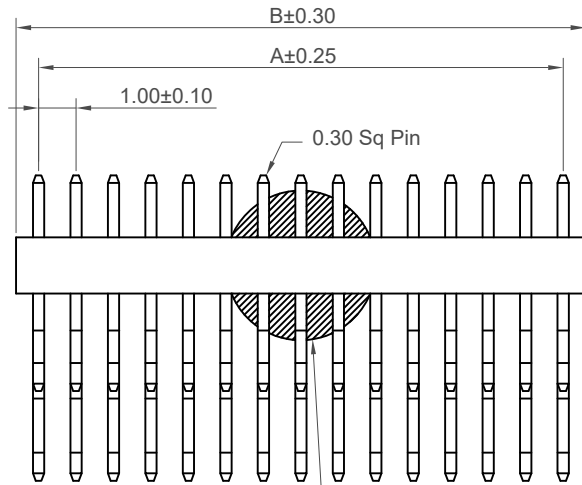


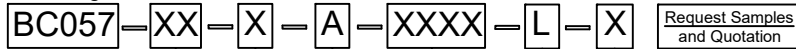
Recommended PCB Layout
(Tolerance: ± 0.05)

Solder Area



Film $\varnothing = 3.00\text{mm}$ (04-06 Contacts)
 $\varnothing = 4.00\text{mm}$ (08-30 Contacts)
Thickness = 0.15mm (All)

Ordering Grid



No. of Contacts
04 to 30

Contact Plating

A = Gold Flash All Over (Standard)
C = Tin All Over

Insulator Width
A = 1.50mm

Packing Options

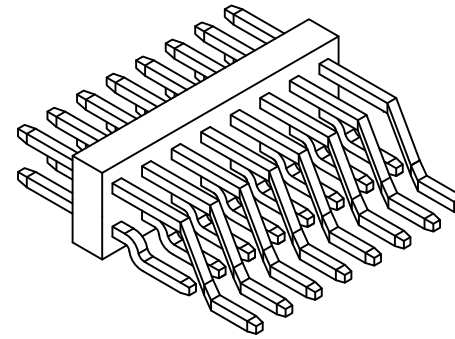
C = Tape & Reel with Film (04-30 contacts)

Insulator Material

L = LCP (Standard)

Dimension C (1/100mm) (Post Height)

0150 = 1.50mm (Standard)
or specify Dimension C
eg 0250 = 2.50mm
(Maximum 0600=6.00mm)
(Minimum 0100=1.00mm)



Specifications

Material

Insulator: Polymer LCP, UL94V-0
Contact: Copper Alloy

Plating

See Ordering Grid

Electrical

Current Rating: 1 Amp per pin
Contact Resistance: 20 m Ω max.
Insulating Resistance: 1000 M Ω min.
Dielectric Withstand Voltage: 300V AC

Mechanical & Environmental

Operating Temperature: -40°C to +105°C

Soldering Process:

IR Reflow: 260°C for 10 sec.
Wave: 250°C for 5-10 sec
Manual Solder: 350°C for 3-5 sec

Mates with (Subject to pin length)

BC084 BC085

Contacts	Dimensions	
	A	B
4	1.00	2.20
6	2.00	3.20
8	3.00	4.20
10	4.00	5.20
12	5.00	6.20
14	6.00	7.20
16	7.00	8.20
18	8.00	9.20
20	9.00	10.20
22	10.00	11.20
24	11.00	12.20
26	12.00	13.20
28	13.00	14.20
30	14.00	15.20

Part Number BC057		Product Description 1.0mm Pitch Pin Header, Dual Row, Surface Mount, Horizontal	
Drawing Date 9th September 2009			
By CC	Tolerances (Except as Noted)	Units: Metric (mm)	 This drawing is confidential and copyright of Global Connector Technology, Ltd (GCT). This drawing must not be copied or disclosed without written consent. E & OE
Detail BC057 1 PCN	Length X. ± 0.30 X.X ± 0.25 X.XX ± 0.15 X.XXX ± 0.10	Angle X. $^{\circ}$ $\pm 5^{\circ}$ X.X $^{\circ}$ $\pm 3^{\circ}$ X.XX $^{\circ}$ $\pm 2^{\circ}$ X.XXX $^{\circ}$ $\pm 1^{\circ}$	
Revision I2			
Date 29/12/21			



Not to Scale	Drawn By ASE	Sheet No. 1/1
--------------	-----------------	------------------