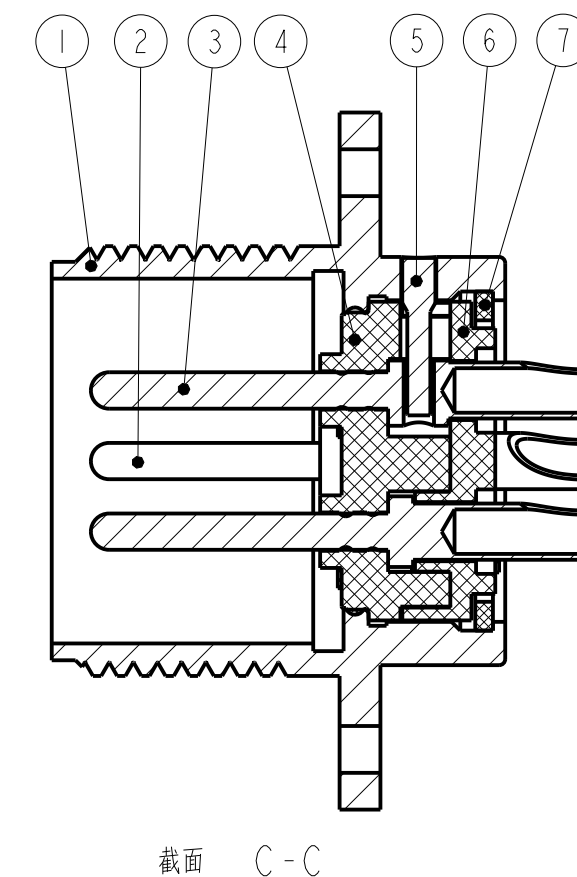
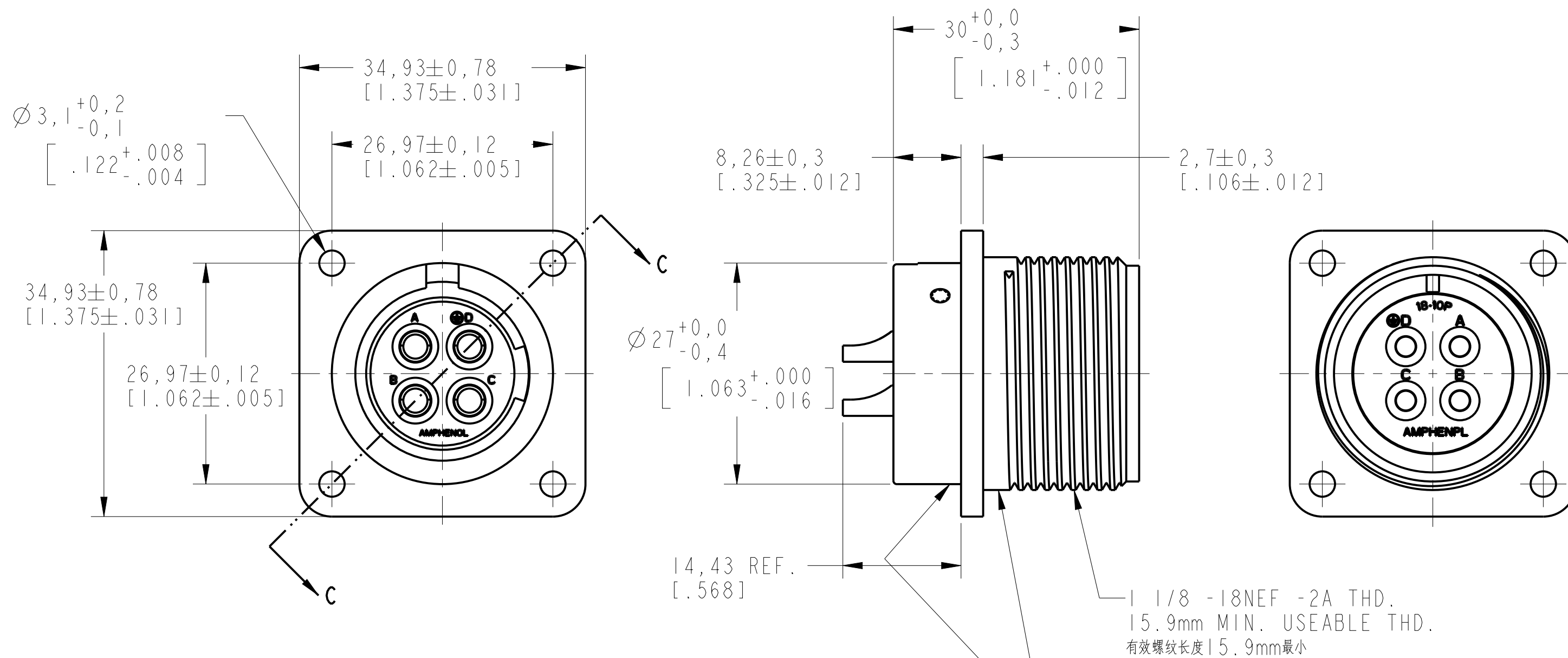
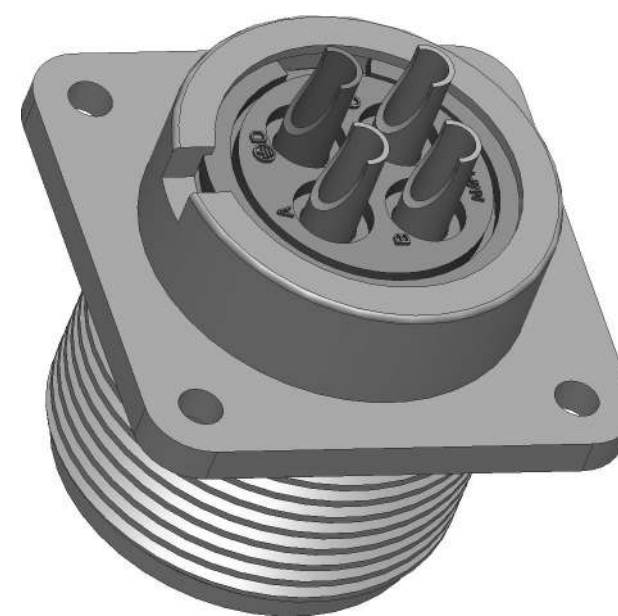


# CUSTOMER DRAWING

REVISIONS		
REV	DESCRIPTION	DATE
PA1	INITIAL RELEASE	2019-11-27
PA5	CHANGE THE PRODUCT CODE	2020-09-03



WHITE INK STAMP "AMPHENOL", ASSEMBLY NUMBER AND DATE CODE APPROX.  
 白色油墨印字 AMPHENOL + 产品编号 + 制造日期(年周 1930)



SPECIFICATIONS / 技术参数	
SERVER RATING 服务等级	A
NUMBER OF CONTACTS 端子数量	4
CONTACT SIZE 端子大小	#12
CURRENT RATE 额定电流	23A/PIN
OPERATING VOLTAGE 额定电压	500V AC 最大
OPERATING TEMPERATURE 工作温度	-55°C TO 125°C
D.W.V. 耐电压	2000V AC
INSULATION RESISTANCE 绝缘电阻	1000 MΩ最小(AT 500VDC)
CONTACT RESISTANCE 端子接触电阻	5 mΩ 最大
DURABILITY 耐久性	100次
SALT SPRAY 盐雾	5%NaCl, 48小时
AIR LEAKAGE 气密性	2.9X10 <sup>4</sup> Pa压力下保持1分钟不泄露
SHELL PLATING 外壳电镀	BLACK ZINC PLATING 黑锌电镀
APPLICABLE WIRE 适用线规	3.5mm <sup>2</sup> 最大

NOTES:  
 1. THE REFERENCED PRODUCT IS IN COMPLIANCE WITH THE MAXIMUM CONCENTRATION VALUES(MCVS) AS SET BY RoHS 2.0 DIRECTIVE 2011/65/EU AND ANNEX II AMENDMENT DIRECTIVE (EU)2015/863.

THIS DOCUMENT CONTAINS PROPRIETARY INFORMATION AND SUCH INFORMATION MAY NOT BE DISCLOSED TO OTHERS FOR ANY PURPOSE OR USED FOR MANUFACTURING PURPOSES WITHOUT WRITTEN PERMISSION FROM THE AMPHENOL CORP.

UNLESS OTHERWISE SPECIFIED	SPECIFICATIONS
LINEAR DIMENSIONS ARE IN INCHES TOLERANCES: .XXXX = ±.0005 ANGLES= ±2° .XXX = ±.010 .XX = ±.03 .X = ±.1	MATERIAL SPEC. N/A
DIM. & TOL. PER ASME Y14.5M; DRM PER MIL-DTL-31000; OTHER Amphenol Stds. PER 9-3800	PROCESS SPEC. N/A

POS	QTY	DESCRIPTION	MATERIAL & FINISH	NOTE
7	1	RETAINING RING	COPPER ALLOY, TIN PLATING	
6	1	REAR INSULATOR	PLASTIC	COLOR: BLACK
5	1	EARTH PIN	COPPER ALLOY, NICKEL PLATING	
4	1	FRONT INSULATOR	RUBBER	COLOR: BLACK
3	1	CONTACT, EARTH	COPPER ALLOY, SILVER PLATING	CONTACT NO:D
2	3	#12 CONTACT	COPPER ALLOY, SILVER PLATING	CONTACT NO: A, B, C
1	1	SHELL	ALUMINUM ALLOY, ZINC PLATING	COLOR: BLACK

APPROVALS	DATE
PREPARED BY: LIANG XU	Sep-03-20
ENGINEER IN CHARGE: LIANG XU	
DESIGN MANAGER: RAN XIAO	
DESIGN ACTIVITY GROUP: C3	

PARTS LIST			
<b>AMPHENOL INDUSTRIAL OPERATIONS</b>			
Amphenol Technology(Zhuhai)Co.,Ltd No.63, Xinghan Road, Sanzao Town, Jinwan, Zhuhai			
<b>CONNECTOR, ELECTRICAL RECEPTACLE 97-3102E-18-10P(400)(955), GROUND-TYPE CONDUCTIVE BLACK ZINC PLATED</b>			
SIZE <b>C</b>	CAGE CODE <b>77820</b>	DOCUMENT NO. <b>10-764272-10P</b>	REV. <b>PA5</b>
SCALE: 2.0	REF. N/A	SHEET 1 OF 1	

10-764272-10P

SHEET 1 OF 1

REV. PA5

C

B

A

FORMAT: C-L-E-Rev-B

SHEET 1 OF 1

10-764272-10P

REV. PA5